

Uniclass L4181	EPIC D181
CI/SfB (31.59)   X	
JULY 2004	

# Coburn Façade®

## Sliding/Folding Door Hardware

**Coburn Façade® is the latest in sliding/folding door hardware for fully rebated timber doors. Specially developed for quality applications, Coburn Façade® is a product to meet the growing demand for clear access to terraces and patios in both commercial and domestic situations.**

Available in both gold and silver anodised aluminium finishes, Coburn Façade® allows doors to be rebated in the usual way within a frame, to provide a proper draught seal. All door leaves should be of equal width but the system requires that 3 or 5 leaves are used.

Best performance is achieved when the doors open outwards, but the system can be adapted with a flat cill where inward opening is preferred. Coburn Façade® does not include the doors.



### SPECIFICATION

Maximum leaf weight	60kg
Maximum leaf height	3000mm
Maximum leaf width	900mm
Recommended door thickness	44mm
<i>Doors up to 60mm can also be used (apply to Coburn for details).</i>	
<i>3 or 5 door leafs can be hinged together and to the frame.</i>	
<i>Odd numbers of doors only.</i>	
<i>No floating suites.</i>	

**COBURN**  
SLIDING SYSTEMS

### COMPONENTS

		Quantities Needed	
		3 Door	5 Door
<b>GOLD ANODISED</b>			
08661	Bottom Roller	1	2
08662	Top Guide	1	2
08663	Intermediate Hinge	1	2
95615	Flush Handle*	3	5
95553	Hinges (pack of 3)*	2	3
<b>SILVER ANODISED</b>			
08761	Bottom Roller	1	2
08762	Top Guide	1	2
08763	Intermediate Hinge	1	2
95617	Flush Handle**	3	5
95547	Hinges (pack of 3)	2	3

\* Polished brass \*\* Satin chrome

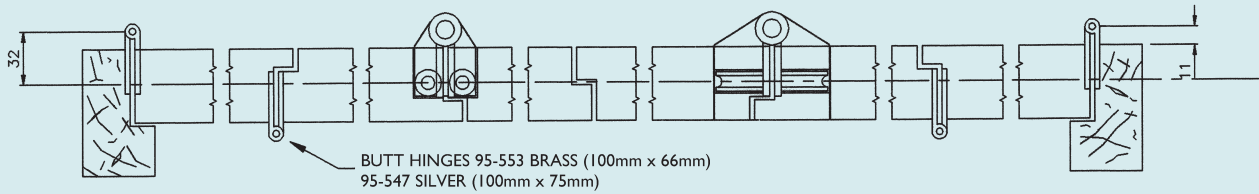
### ADDITIONAL FITTINGS

To complete the installation the following will be required:

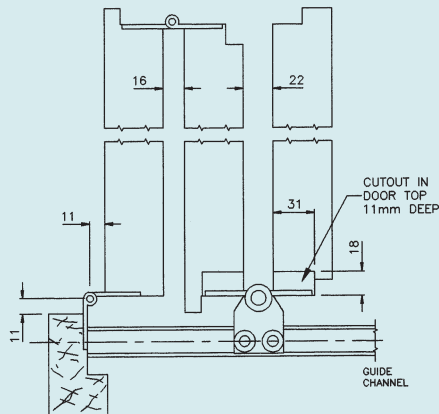
		Quantities Needed	
		3 Door	5 Door
70-3	Bottom Track (Brass)	Lengths to suit	
44-3	Top Channel (Brass)	Lengths to suit	
95-665	Holdback Catch	1	1
95-670	Flush Bolts (x2) – 190mm GAA*	2	3
95-677	Flush Bolts (x2) – 190mm SAA*	2	3

\* Double quantity if required top and bottom

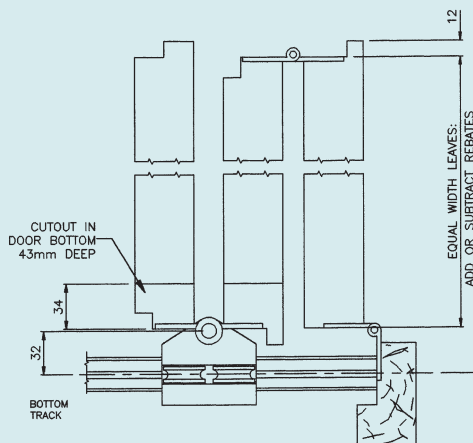




**DOORS IN CLOSED POSITION**

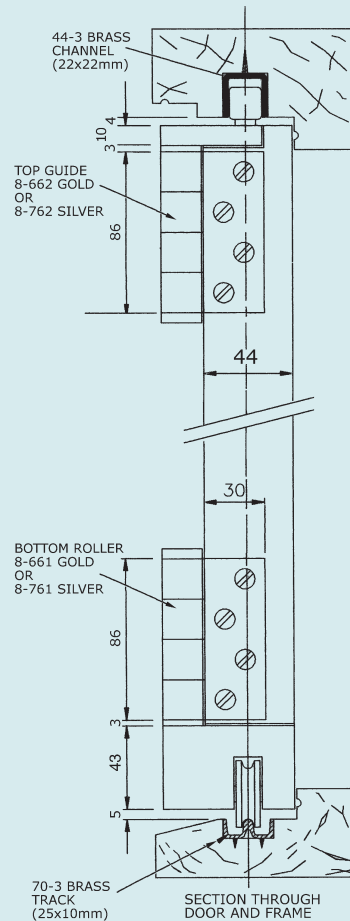


REVERSE PLAN OF 3 DOORS  
LOOKING UPWARDS  
TOWARDS THE GUIDE



PLAN OF 3 DOORS  
LOOKING DOWN  
ONTO THE ROLLER

**DOORS IN OPEN POSITION**



SECTION THROUGH  
DOOR AND FRAME



**HILLALDAM COBURN LIMITED**

**HEAD OFFICE**  
Unit 6, Wyvern Estate,  
Beverley Way, New Malden,  
Surrey, KT3 4PH, England.

**Telephone:** 020 8336 1515  
**International:** +44 20 8336 1515  
**Facsimile:** 020 8336 1414  
**Sales Freefax:** 0800 616623  
**e-mail:** sales@hillaldam.co.uk  
**Web:** www.coburn.co.uk

**SCOTLAND**  
Unit 25 Baillieston Distribution  
Centre, Glasgow, G69 6UL, Scotland.

**Telephone:** 0141 771 6165  
**Facsimile:** 0141 773 1693  
**Sales Freefax:** 0800 318904



INVESTOR IN PEOPLE



Certificate No. FS 14679  
The products designed and  
supplied by Hillaldam Coburn  
Ltd are covered by a Quality  
Assurance system in accordance  
with BS EN ISO 9001:2000

*The company reserves the right from time to time to make such alterations in design and manufacture as they consider necessary without notice. Drawings, specifications, illustrations, tables and other details are not binding in detail. Conditions of sale are as those published on the Company's tender forms.*