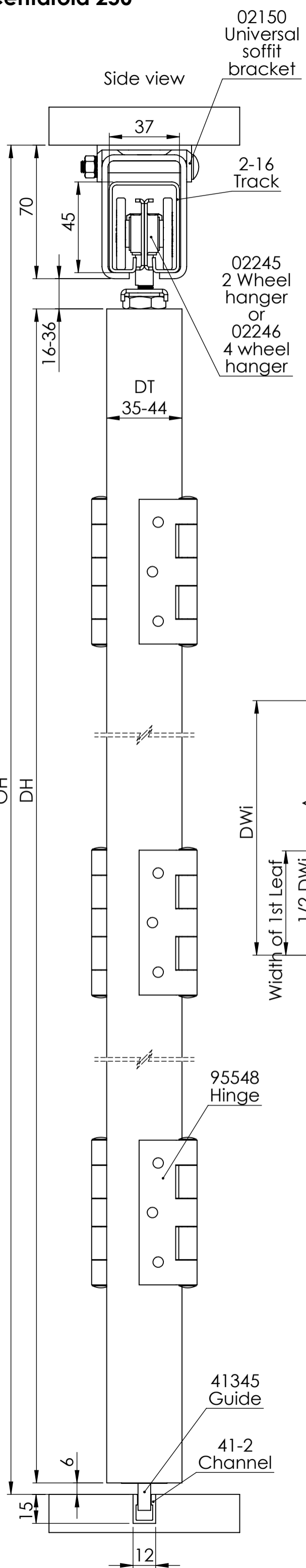


Centafold 250



Maximum door weight 36kg

DH - Door height, maximum 2700mm

DWi - Door width, maximum 1200mm
 For hinged sets (not floating), the width of first leaf = $(\frac{1}{2} \times DWi) - 27$

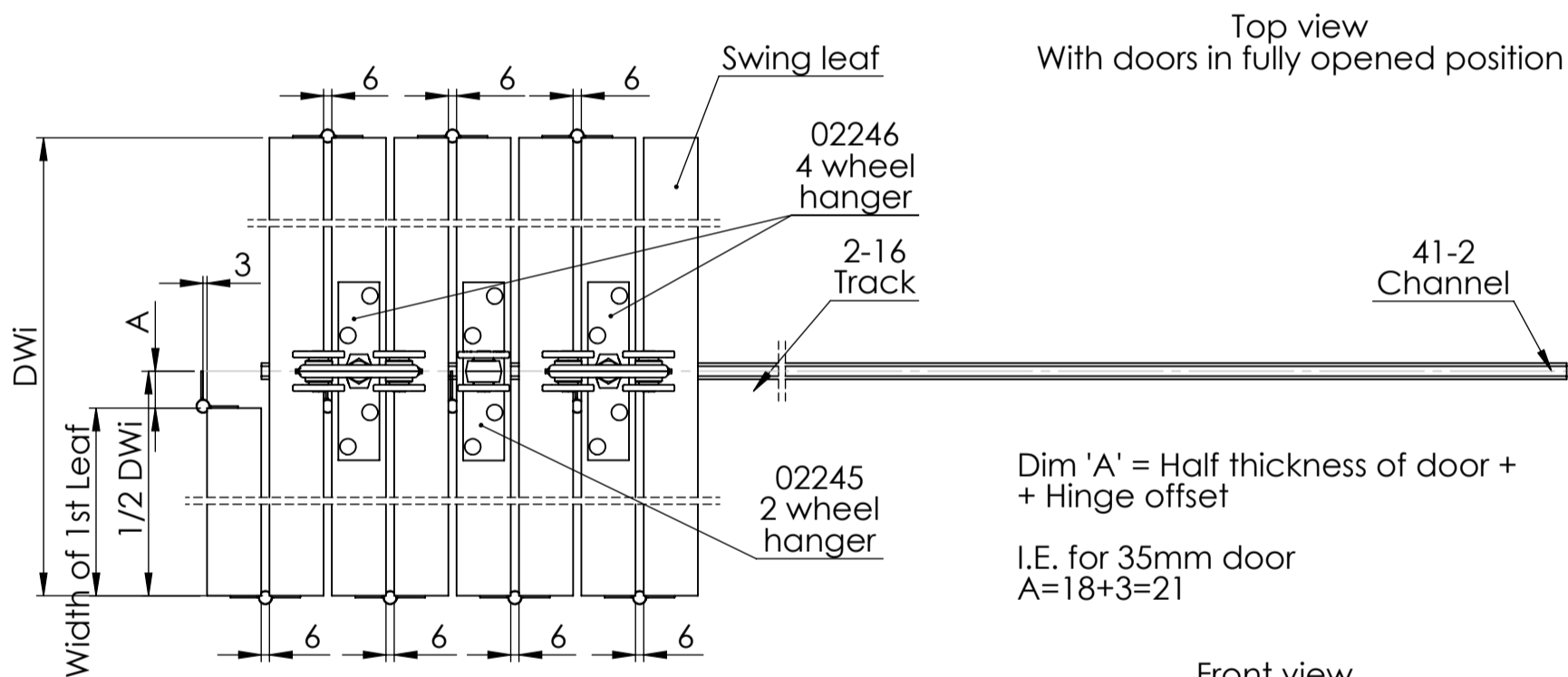
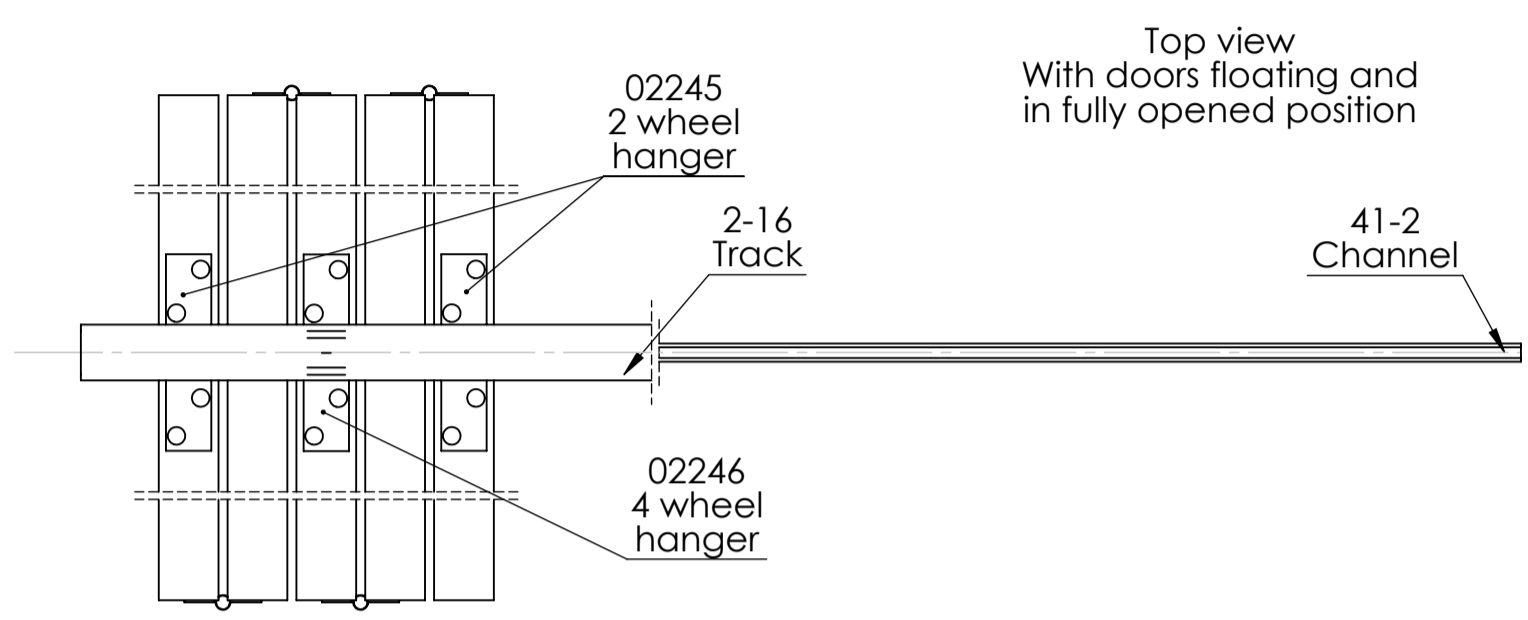
DT - Door thickness, between 35mm and 44mm

A - Distance from middle of track (see black axis going through the middle of track) to the edge of the first leaf in fully closed position

OW - Opening width

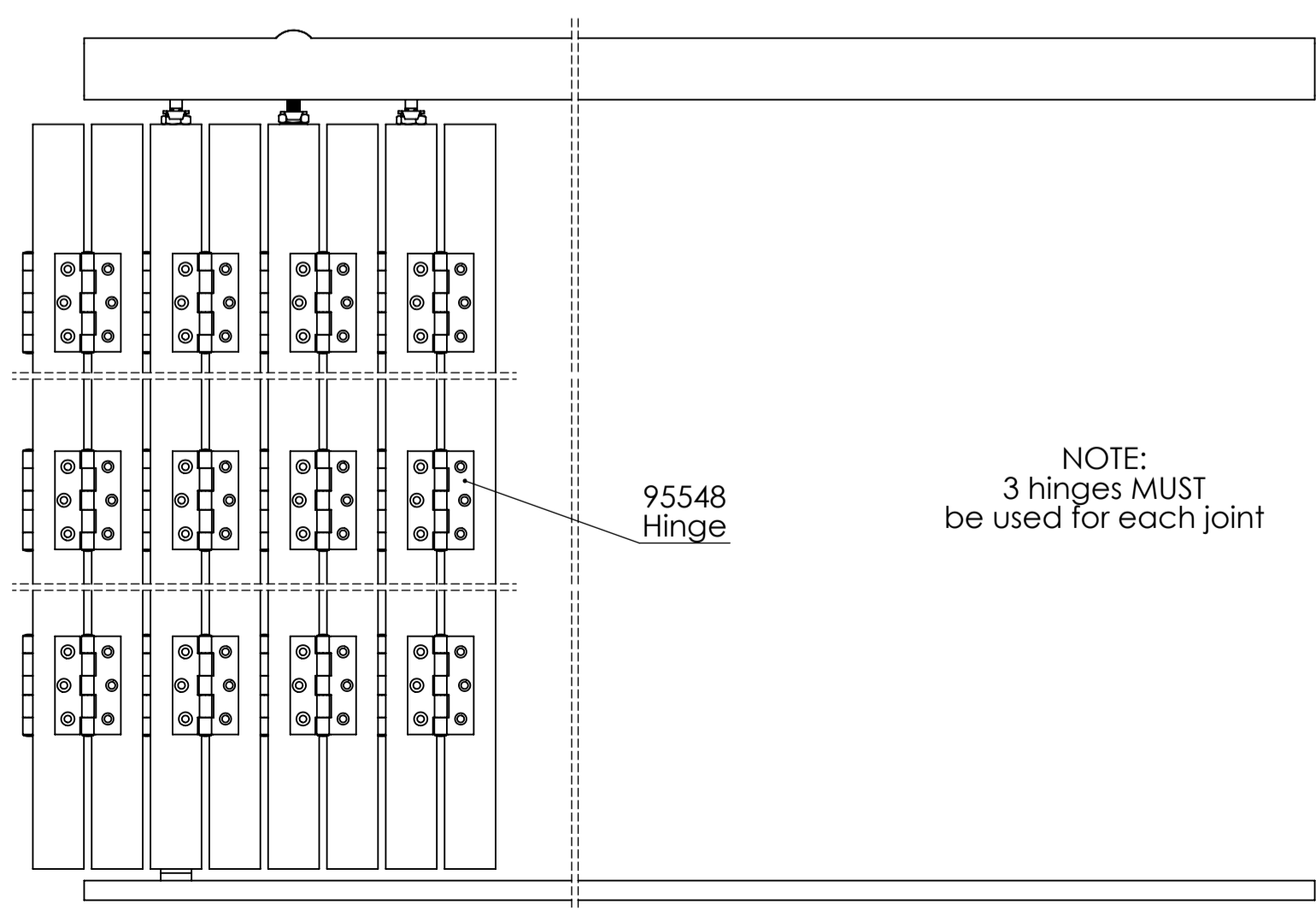
OH - Opening Height

NOTE:
 Up to 7½ leaves may be hinged together.
 5 or 7 leaves may be used as a loose suite



Dim 'A' = Half thickness of door + Hinge offset
 I.E. for 35mm door
 $A = 18 + 3 = 21$

Front view
 With doors in fully opened position



NOTE:
 3 hinges MUST be used for each joint