

Side view  
Three doors on  
three tracks

DH - Door height, maximum 2100mm

DWi - Door Width, maximum 1200mm

DT - Door thickness, between 20mm and 44mm

OL - Door overlap, min. recommended 25mm

X - Distance between tracks = DT - 18mm

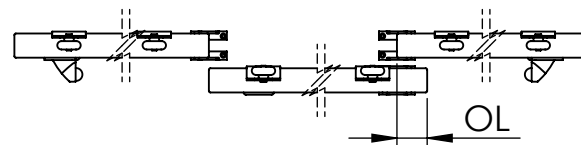
OW - Opening width

OH - Opening height

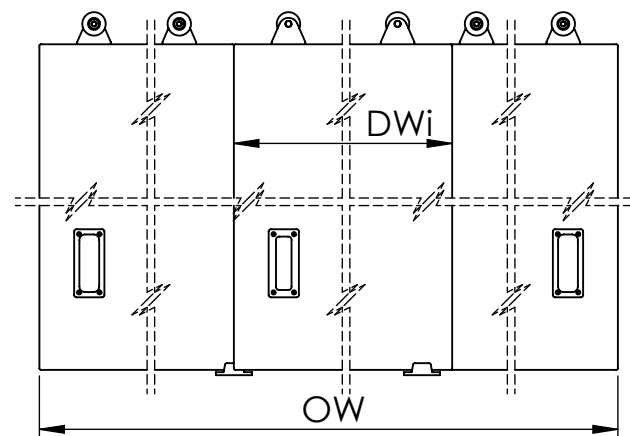
**NOTE:**

If using three doors on three tracks, third track is sold separately.

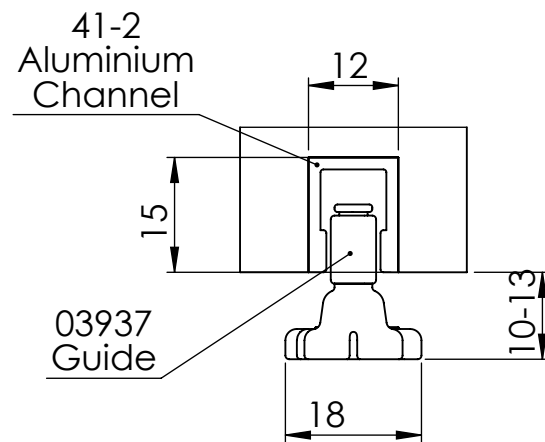
Top view with doors in closed position  
Three doors on two tracks  
Scale 1:10



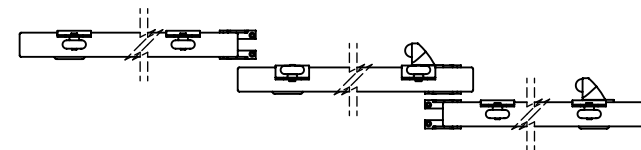
Front view with doors in closed position  
Three doors on two tracks  
Scale 1:10



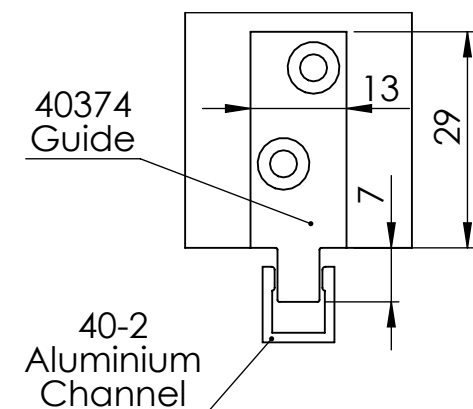
Side view  
Alternative 1  
Bottom Guide



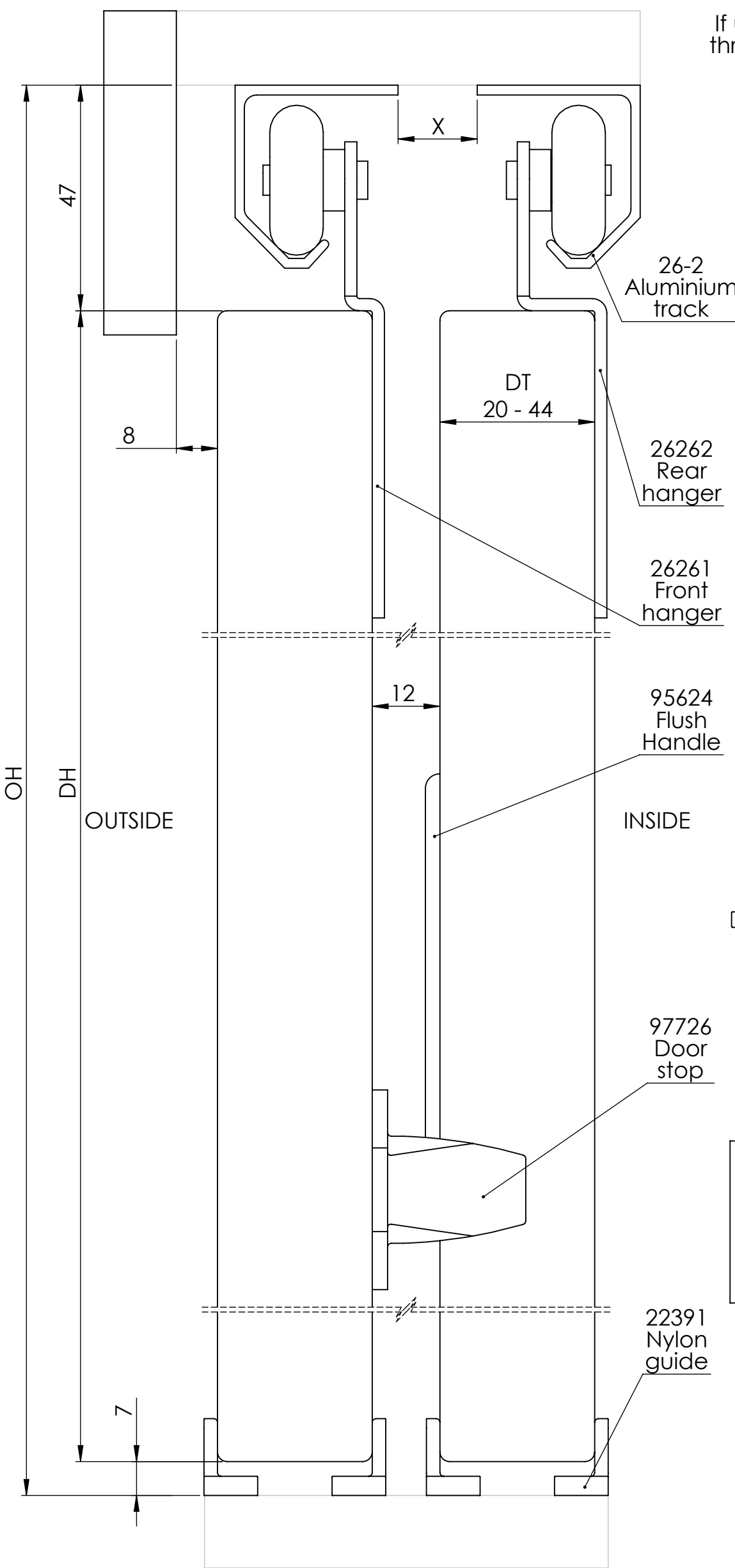
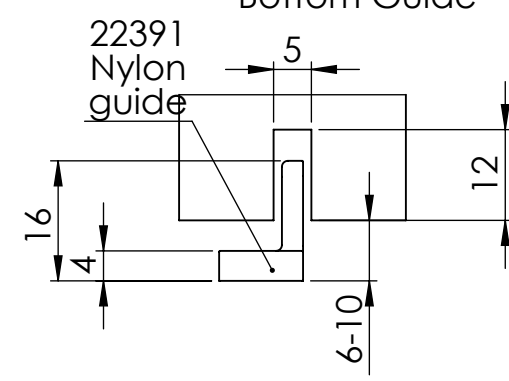
Top view  
Three doors in closed position on three tracks  
Scale 1:10



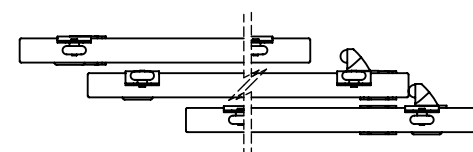
Side view  
Alternative 2  
Bottom Guide



Side view  
Alternative 3  
Bottom Guide



Top view  
Three doors in opened position on three tracks  
Scale 1:10



Side view  
Three doors on three tracks  
Scale 1:2

