

Straightaway 700 Residential Sliding & Folding Door Systems

Door Specifications

- Maximum Door Weight: 115kg
- Door Thickness: 30-60mm
- Door Construction:
Width one third height minimum, handle height three fifths from bottom for best results. When fully open, the sliding panel should project a minimum of 65mm to avoid fingers becoming trapped between handle and fixed panel. Suitable for doors of normal timber-framed construction, panelled, glazed or framed.

- Maximum Door Height: 2400mm

- Top Channel Dimensions:
25mm (w) x 25mm (h)

Hardware Specifications

- Aluminium top channel soffit fixed, drilled and countersunk for woodscrews
- Bottom tracks drilled and countersunk for woodscrews

- Top track surface mounted or recessed, floor tracks surface mounted or recessed
- For single, bi parting or bi passing doors
- Aluminium rattle proof top guides with brush welt
- Die cast casings on rollers, nylon wheels with needle bearings ensure smooth operation even on heavy doors
- Components also available in stainless steel

Straightaway 700

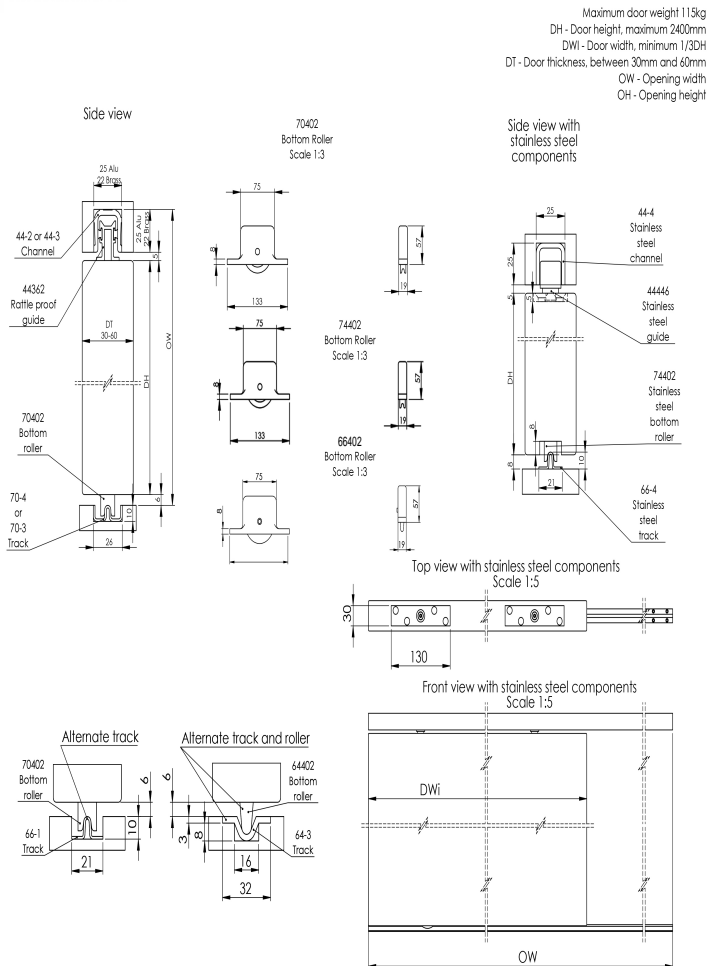
Residential Sliding & Folding Door Systems

Product Overview

Straightaway 700 is a bottom rolling sliding system. It is suited to applications such as patio doors and large internal and external sliding doors. It is a reliable and hardwearing system that can be used where there is not sufficient overhead support for a top hung system.

Technical Specification

STRAIGHTAWAY 700



| Article No. | Description | Image |
|-------------|--|-------|
| 442 | Aluminium top channel for use with 44362 guides, available in 1.5, 1.8, 2.1, 2.4, 3.0, 3.6 and 6.0m lengths | |
| 443 | Brass top channel for use with 44362 guides, available in 1.8, 2.4 and 3.0m lengths | |
| 444 | Grade 304 stainless steel top channel for use with 44446 guide, available in 2.1 and 3.0m lengths | |
| 661 | Galvanised steel bottom track for use with 70402 rollers, available in 1.8, 2.1, 2.4 and 3.0m lengths | |
| 64330 | Brass bottom track 3.0m for use with 64402 rollers | |
| 703 | Brass bottom track for use with 70402 rollers, available in 1.8, 2.1, 2.4 and 3.0m lengths | |
| 704 | Grade 304 stainless steel bottom track for use with 70402 rollers, available in 2.4 and 3.0m lengths | |
| 664 | Grade 304 stainless steel bottom track for use with 74402 rollers, available in 1.1, 1.5, 2.1 and 3.0m lengths | |
| 64402 | Bottom roller for use with 643 track (pair) | |
| 70402 | Bottom roller for use with 661 and 704 tracks (pair) | |
| 74402 | Grade 316 stainless steel bottom roller for use with 664 track (pair) | |
| 44362 | Aluminium rattle proof top guides with brush welt for 442 and 443 top channel (pair) | |
| 44446 | Grade 316 stainless steel centre guide for use with 444 top channel | |
| 95616 | Rectangular flush pull, 52mm x 101mm, matt grey finish (For our full range of accessories see pages 96-97) | |



For further information please contact us:
 Tel: +44 (0)20 8545 6680 sales@coburn.co.uk www.coburn.co.uk

