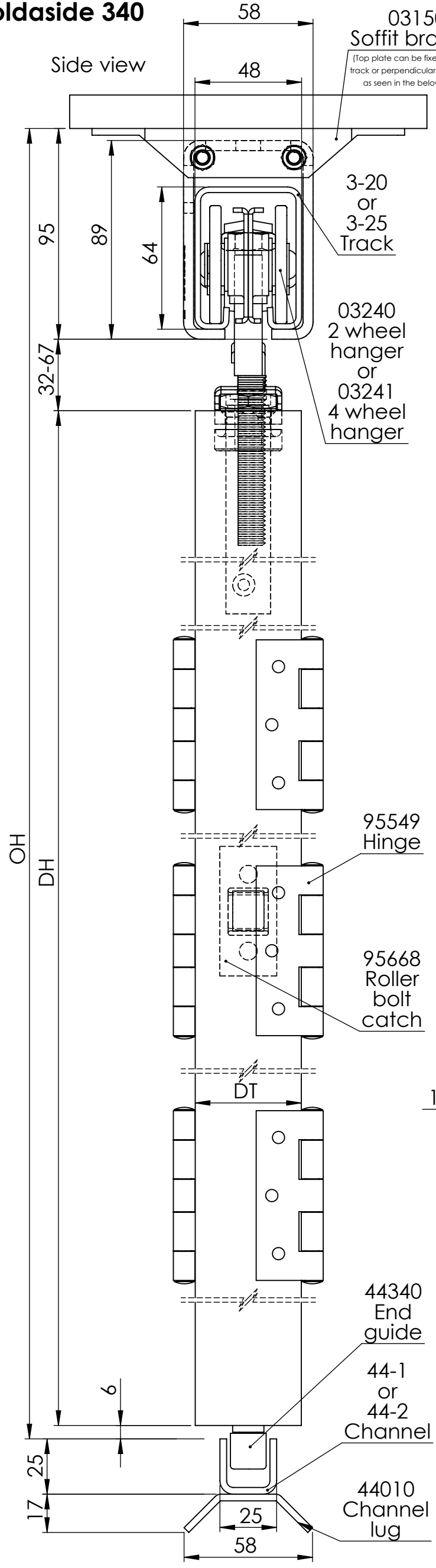


# Foldaside 340

Maximum door weight  
with 3-20 track 50kg  
with 3-25 track 55kg



DIM 'A' = 29 + HALF THICKNESS OF DOOR + OFFSET OF HINGES

DIM 'B' = 29 + HALF THICKNESS OF DOOR + OFFSET OF HINGES + 12

i.e. for 44mm door:  
DIM 'A' = 29 + 22 + 3 = 54  
DIM 'B' = 29 + 22 + 3 + 12 = 66

DH - Door height,  
with 3-20 track maximum height 3300mm  
with 3-25 track maximum height 3600mm

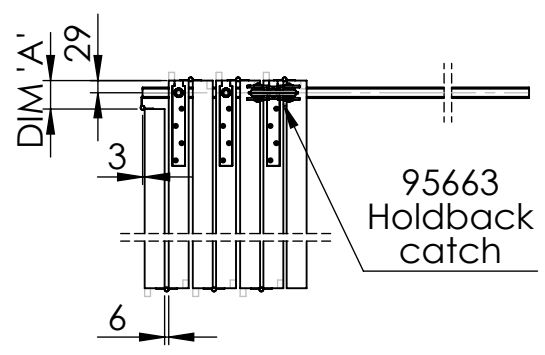
DWi - Door width, maximum 900mm

DT - Door thickness, between 40mm and 55mm

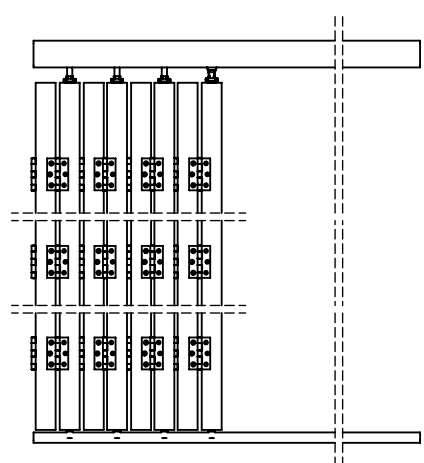
OW - Opening width, maximum 14400mm

OH - Opening height

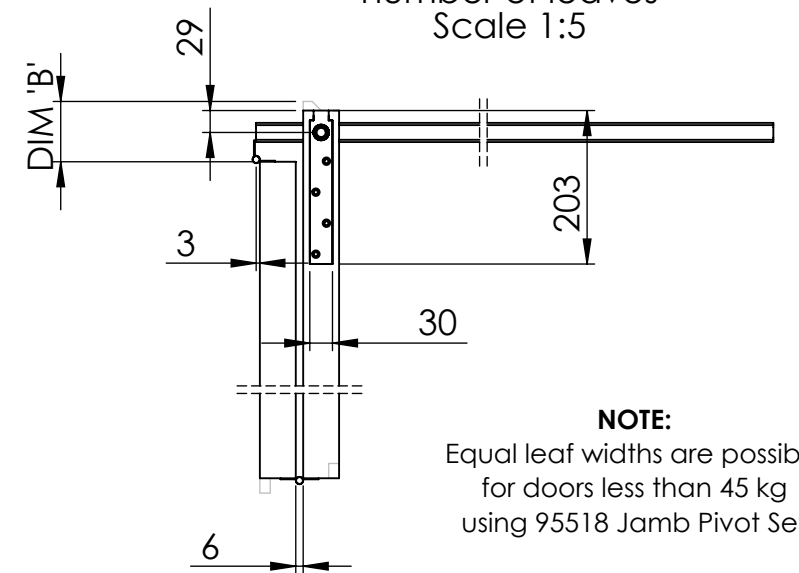
Top view  
with doors in fully opened position  
DIM 'A' for ODD number of leaves  
Scale 1:9



Front view  
with doors in fully opened position  
DIM 'A' for ODD number of leaves  
Scale 1:9

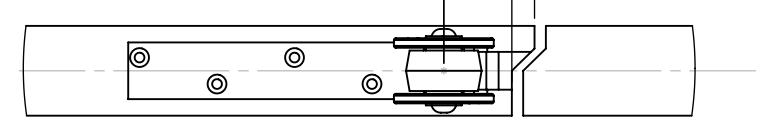


Top view  
with doors in fully opened position  
DIM 'B' for EVEN number of leaves  
Scale 1:5



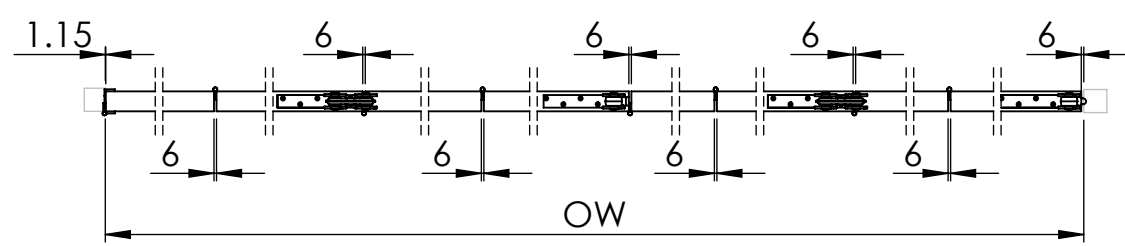
**NOTE:**  
Equal leaf widths are possible  
for doors less than 45 kg  
using 95518 Jamb Pivot Set

Top view, DETAIL  
Centre meeting joint  
1:2

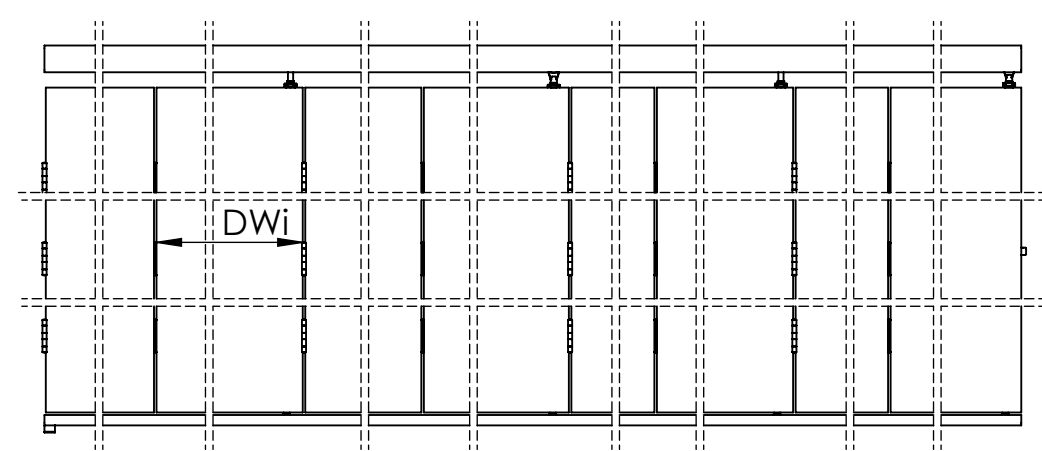


**NOTE:**  
The centre meeting joint detail  
is only required where suites  
containing an even number  
of doors meet within the opening

Top view  
with doors in fully closed position  
Scale 1:9



Front view  
with doors in fully closed position  
Scale 1:9



**Door arrangements:**  
From 2 to 8 leaves one way  
with or without swing leaf  
on opposite jamb

From 2 to 8 leaves both ways