



Cornaway 210 Residential Sliding & Folding Door Systems

Door Specifications

- Maximum Door Weight: 36kg
- Door Thickness: 38mm - 44mm
- Maximum Door Width: 1000mm
- Maximum Door Height: 2400mm
- Top Track Dimensions:
37mm (w) x 45mm (h)

● Door Construction:

Up to 5 leaves may be hinged together. Consider door area in exposed positions. All door leaves equal width. If swing leaves hinged to sliding doors reduce door widths to 700mm and always engage holdback catch before operating. If depth of return wall exceeds radius of curve by 75mm or more, a swing leaf is not essential. Side fixing is standard and it is essential that top tracks and floor channels are plumb. Notch top corners of doors where shown to clear stop at head.

Hardware Specifications

- Steel top track galvanised to BS EN 10346
- Hangers and guides have vertical adjustment
- Hangers are steel with ball bearings and lubricated for life

Cornaway 210

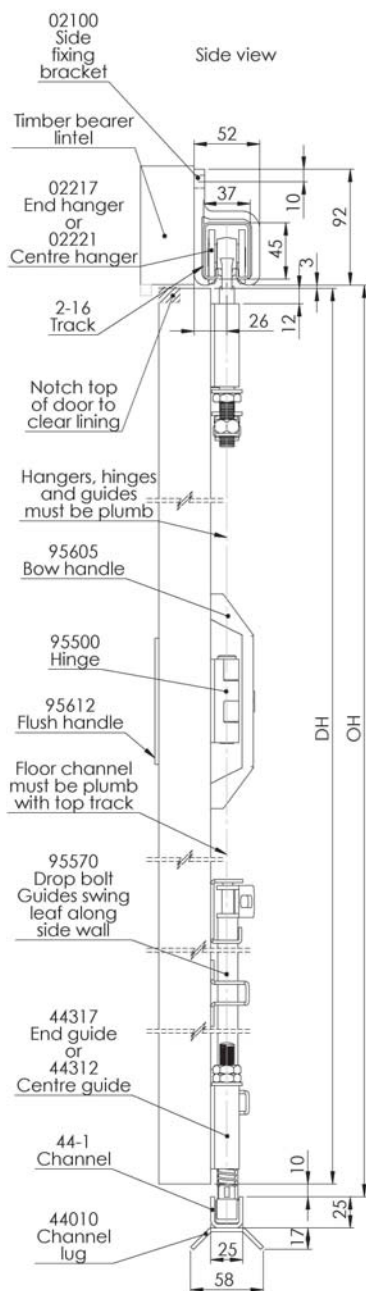
Residential Sliding & Folding Door Systems

Product Overview

Cornaway 210 is a light weight top hung angle sliding door system for domestic garages and similar.

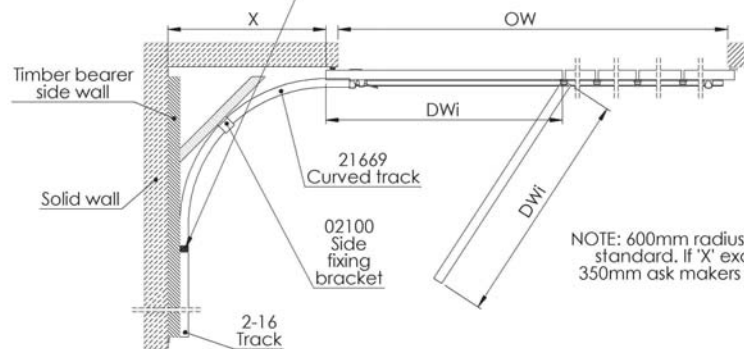
Technical Specification

CORNAWAY 210

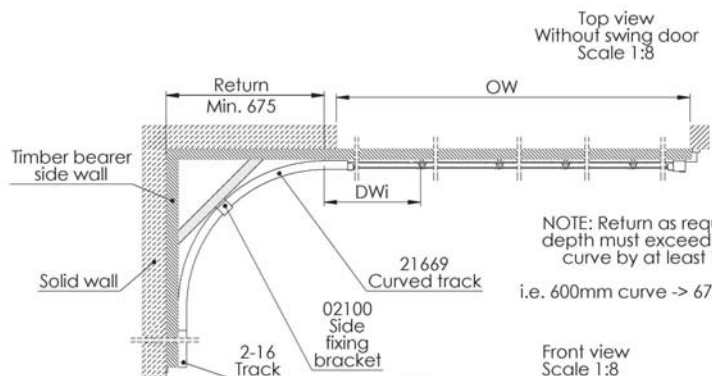


TIMBER BEARER LINTEL	FINISHED DT	TIMBER BEARER SIDE WALL
94 X 38	38	94 X 44
94 X 44	44	94 X 57

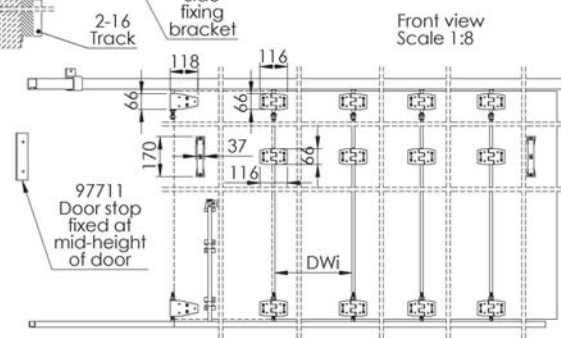
NOTE: Lock joint plates and channel connecting shoes required to join curves to track and channel



NOTE: 600mm radius curve is standard. If 'X' exceeds 350mm ask makers advice



NOTE: Return as required but depth must exceed radius of curve by at least 75mm. i.e. 600mm curve -> 675mm return



Maximum door weight 36kg

DH - Door height, maximum 2400mm

DWi - Door width, maximum 1000mm

DT - Door thickness, between 38mm and 44mm

NOTE: Up to 5 doors may be hinged together



Cornaway 210

Residential Sliding & Folding Door Systems

Article No.	Description	Image
216	Galvanised steel top track available in 1.8, 2.1, 2.4, 3.0, 4.0 and 6.0m lengths	
21669	Galvanised steel 600mm top track radius curve	
441	Galvanised steel channel available in 1.5, 1.8, 2.1, 2.4, 3.0 and 4.0m lengths	
44169	Galvanised steel 600mm channel radius curve	
02100	Open side wall bracket	
02002	Lock joint plate for use with open side wall bracket	
02051	Closed end piece (pair) for use with open side wall brackets	
02217	2 Wheel end hanger with steel backflaps	
02221	2 Wheel centre hanger with steel backflaps	
95500	Steel backflap hinge	

Article No.	Description	Image
44317	End guide with steel backflap	
44312	Centre guide with steel backflaps	
44010	Channel lugs (pack of 5)	
44011	Channel connecting shoe	
95570	Roller bolt	
95603	Steel bow handle – silver finish	
95612	Rectangular flush handle, 50mm x 100mm, stainless steel (For our full range of accessories see page x)	
95560	Steel drop bolt complete with ground socket	
95565	Staple for drop bolt	
97711	Wall door stop – small	
95663	Holdback catch - silver finish	



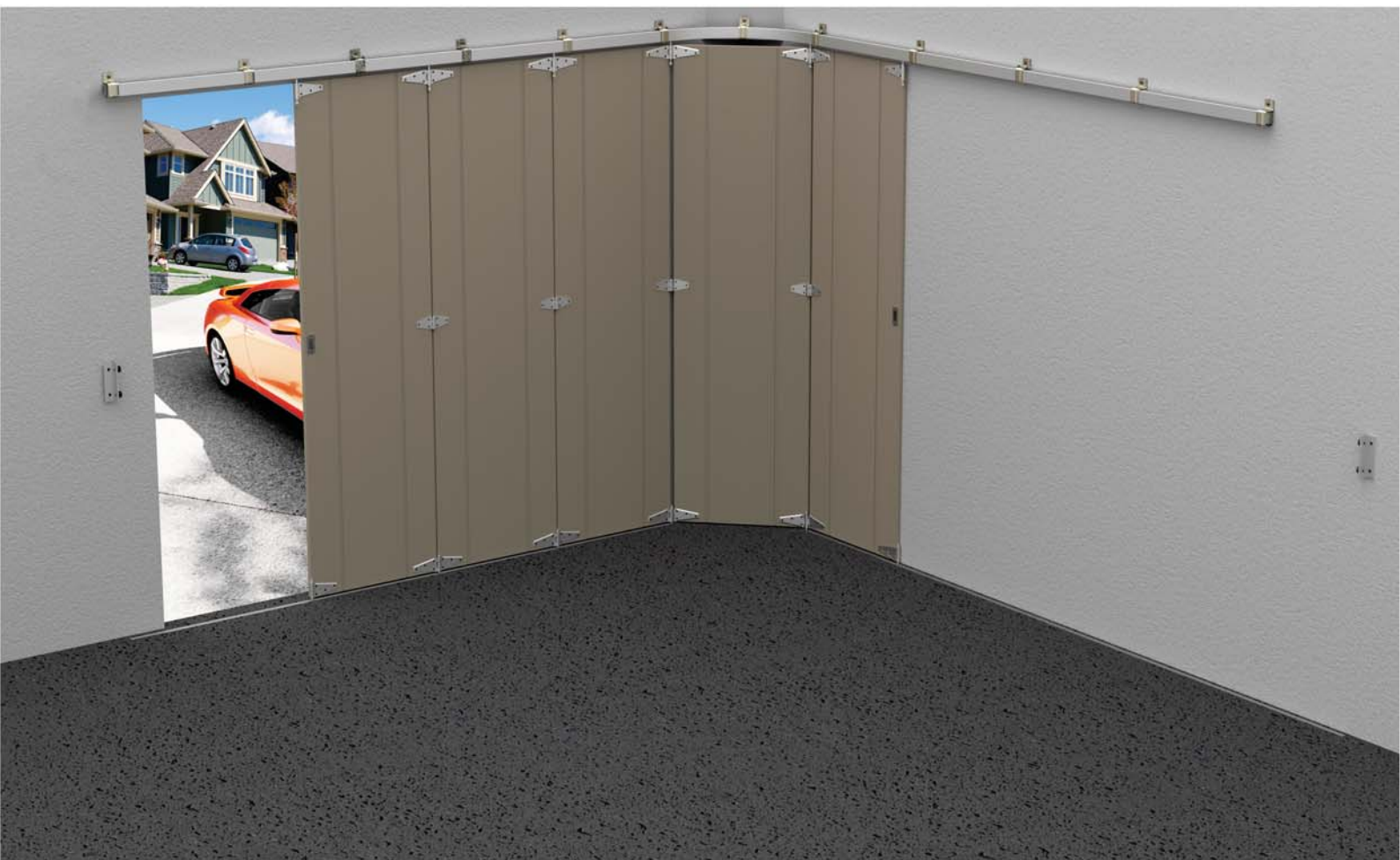
Residential
Sliding & Folding
Door Systems

For further information please contact us:

Tel: +44 (0)20 8545 6680 sales@coburn.co.uk www.coburn.co.uk

Cornaway 210

Residential Sliding & Folding
Door Systems



Residential
Sliding & Folding
Door Systems

For further information please contact us:

Tel: +44 (0)20 8545 6680 sales@coburn.co.uk www.coburn.co.uk

