

CORNAWAY 210

Maximum door weight 36kg

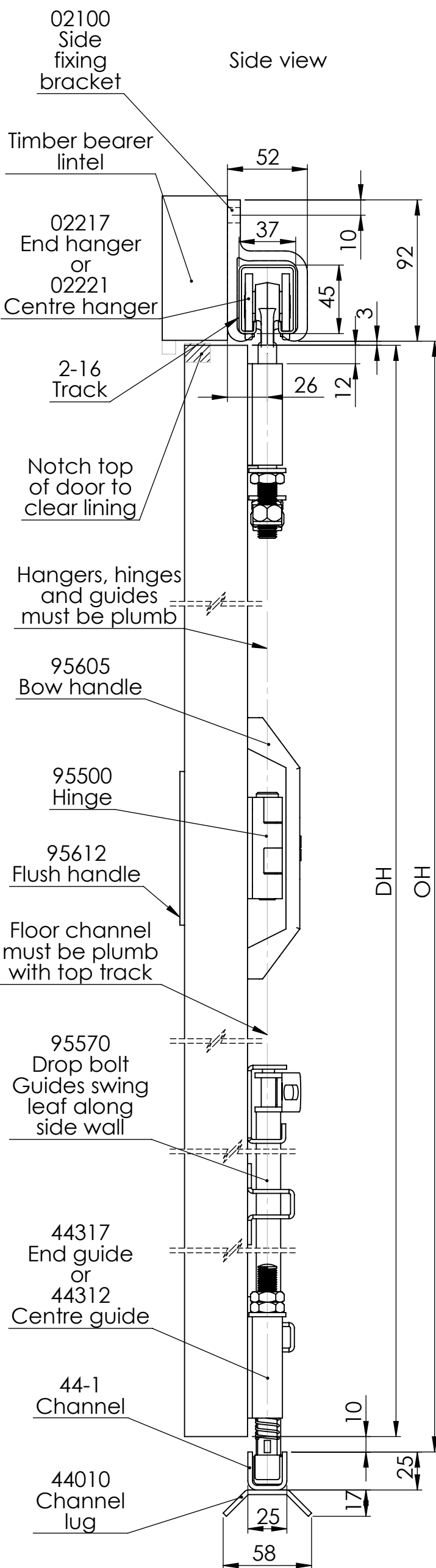
DH - Door height, maximum 2400mm

DWi - Door width, maximum 1000mm

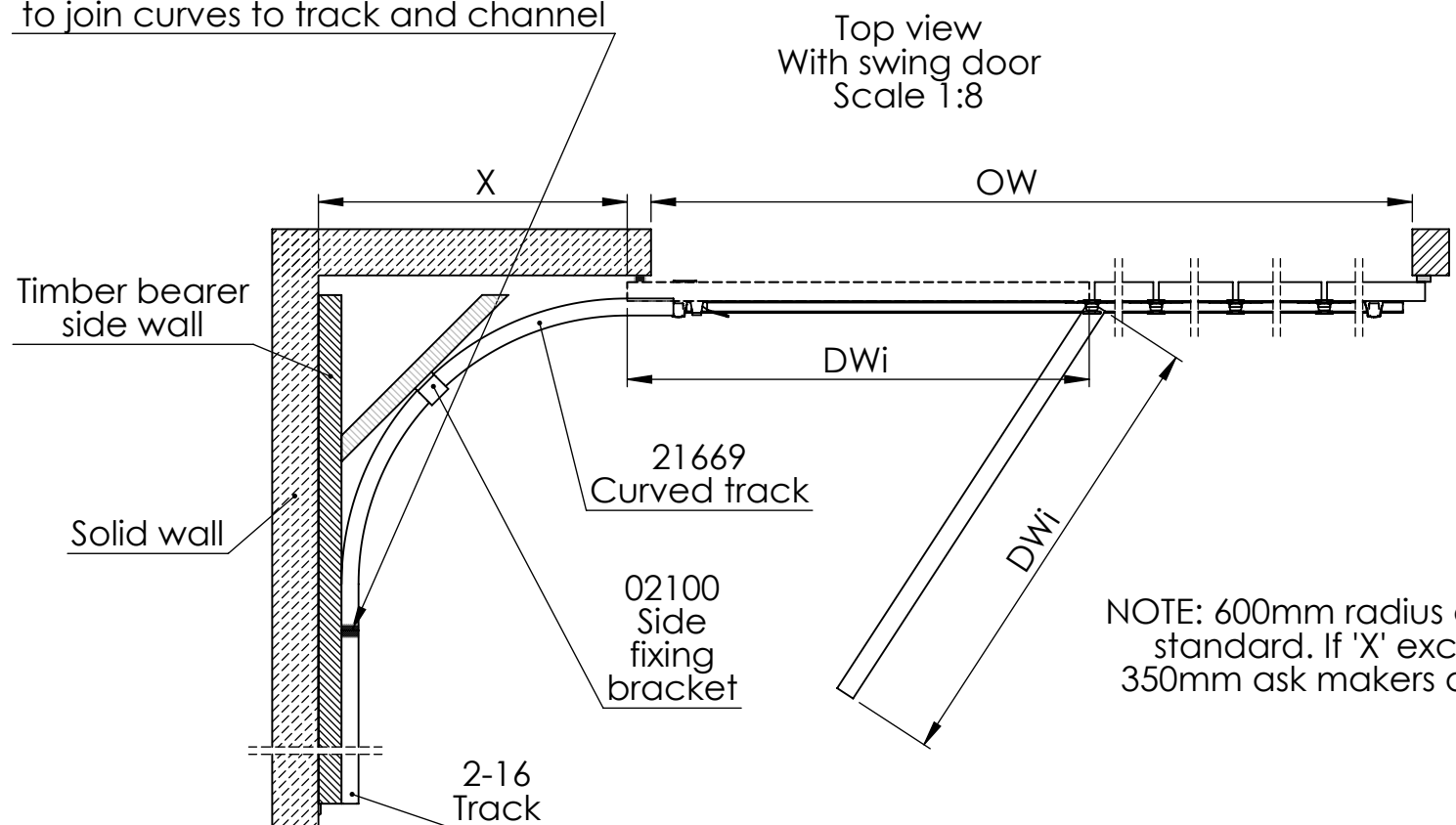
DT - Door thickness, between 38mm and 44mm

NOTE: Up to 5 doors may be hinged together

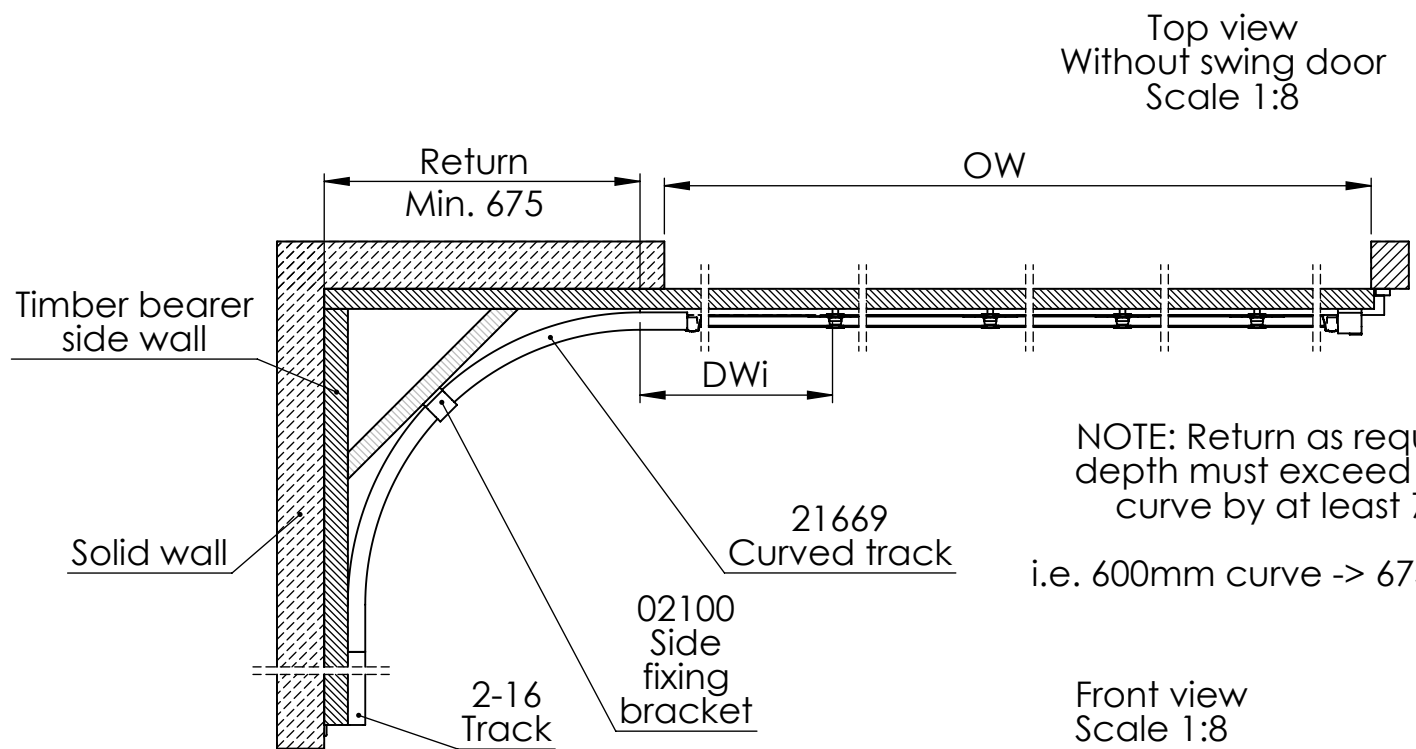
TIMBER BEARER LINTEL	FINISHED DT	TIMBER BEARER SIDE WALL
94 X 38	38	94 X 44
94 X 44	44	94 X 57



NOTE: Lock joint plates and channel connecting shoes required to join curves to track and channel



NOTE: 600mm radius curve is standard. If 'X' exceeds 350mm ask makers advice



NOTE: Return as required but depth must exceed radius of curve by at least 75mm.
i.e. 600mm curve -> 675mm return

