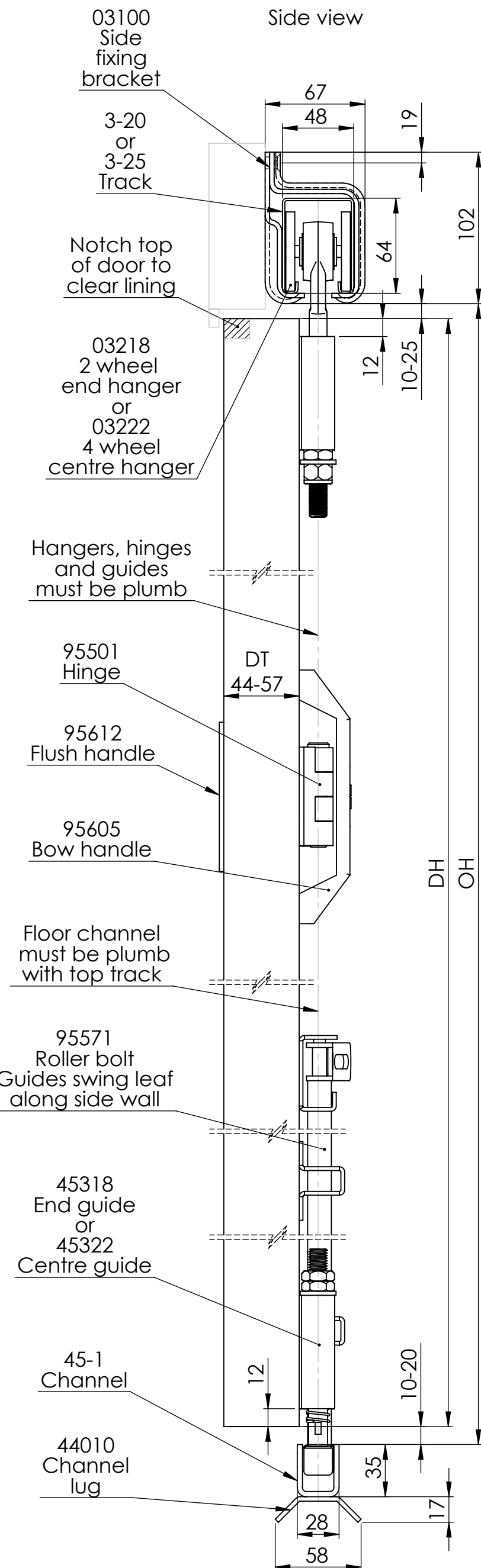


CORNAWAY 310

Side view



TIMBER BEARER LINTEL	FINISHED DT	TIMBER BEARER SIDE WALL
119 X 44	44	119 X 57
119 X 57	57	119 X 69

Maximum door weight using 3-20 track is 50kg using 3-25 track is 60kg

DH - Door height using 3-20 track maximum 3300mm using 3-25 track maximum 3600mm

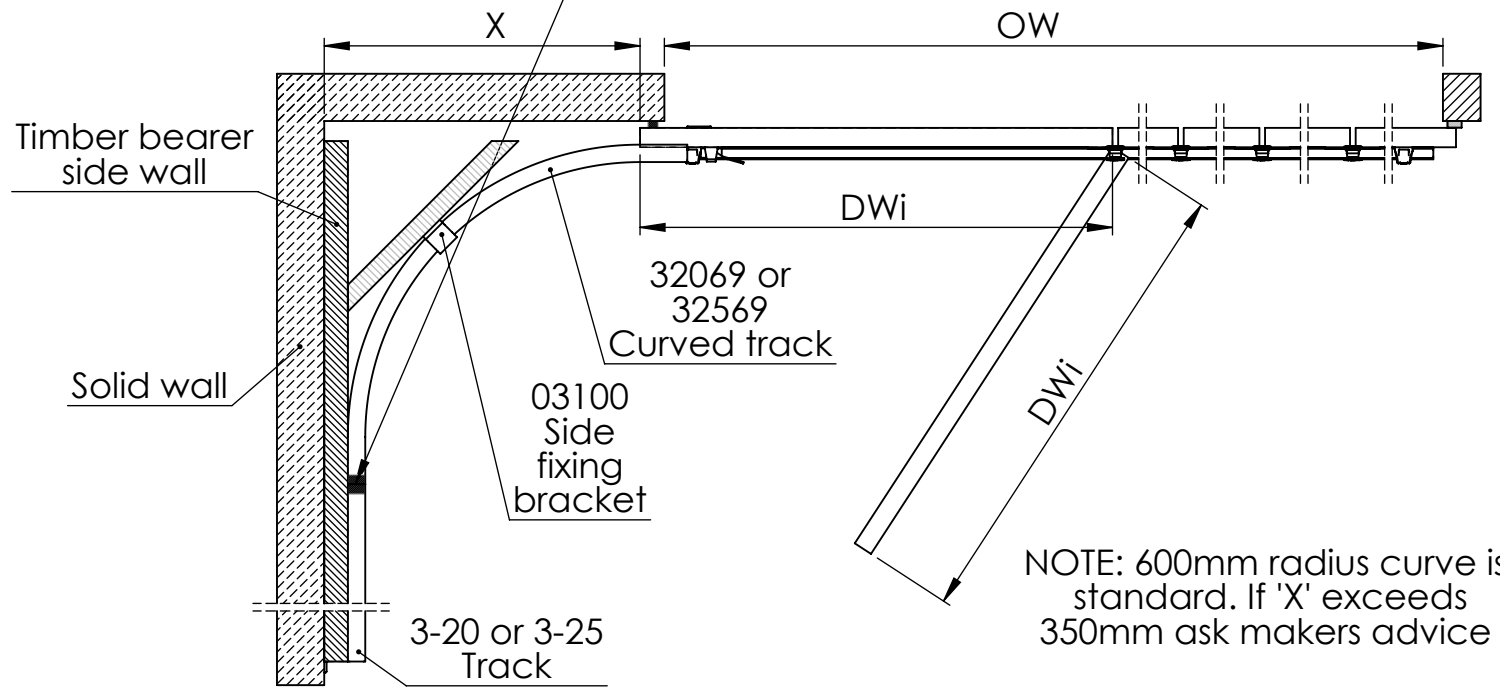
DT - Door thickness, between 44mm and 57mm

DWi - Door width, maximum 1000mm

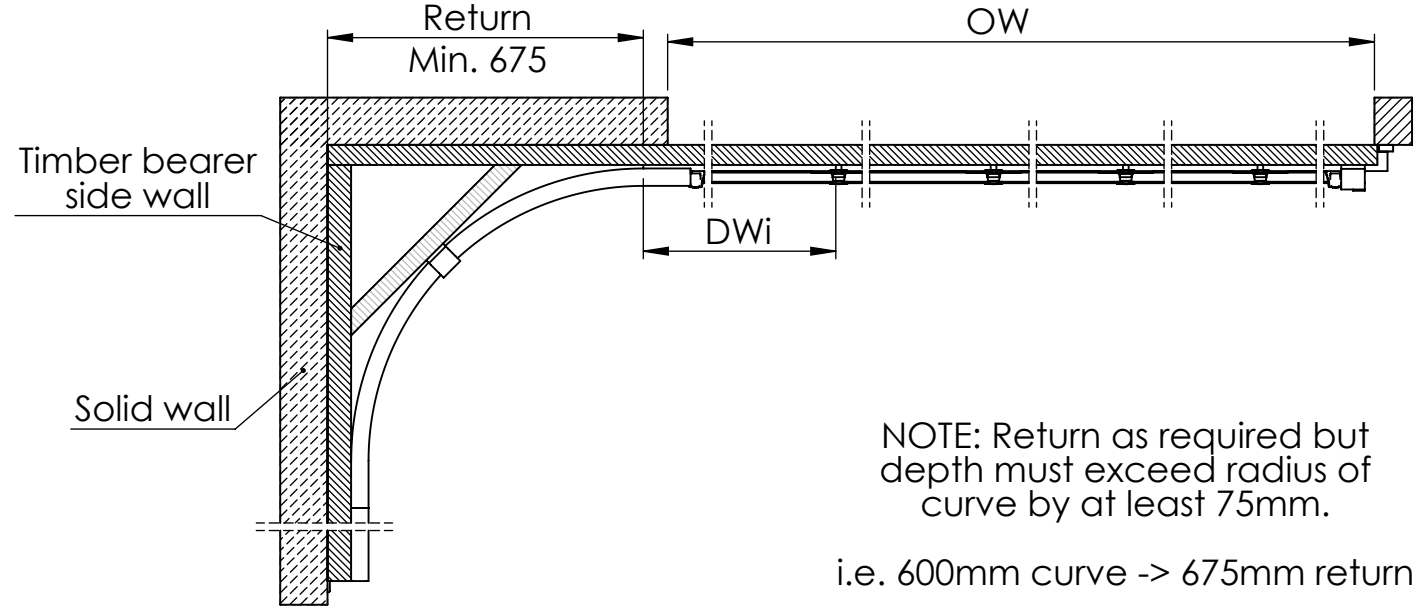
NOTE: Up to 5 doors may be hinged together

NOTE: Lock joint plates and channel connecting shoes required to join curves to track and channel

Top view With swing door Scale 1:8



Top view Without swing door Scale 1:8



Front view

