



Slyde 40 Sliding Door Systems



Product Overview

Slyde 40 is a very simple and versatile light weight sliding door system. Design and manufacture for the easy installation and customer Convenience. The system can be used in offices, homes and commercial applications. The soft closing dampers are also available to make the doors close gently and softly.

Features

- Supplied with upper and lower aluminium rails
- Equipped with double soft closing dampers (optional)
- Variable height adjustment
- Kits available for 2 sliding doors only
- Easy to assemble

Technical Specifications

- Maximum Door Weight: 40kg
- Door Thickness: 18-20mm
- Door Height: 700 - 1500mm
- Door Width: 400 - 800mm



Soft close damper (pair per kit)



Aluminium top rail



Aluminium bottom rail



Recessed flush pull handle





SLYDE 40

Maximum door weight 40kg

DH - Door height, between 700mm and 1500mm

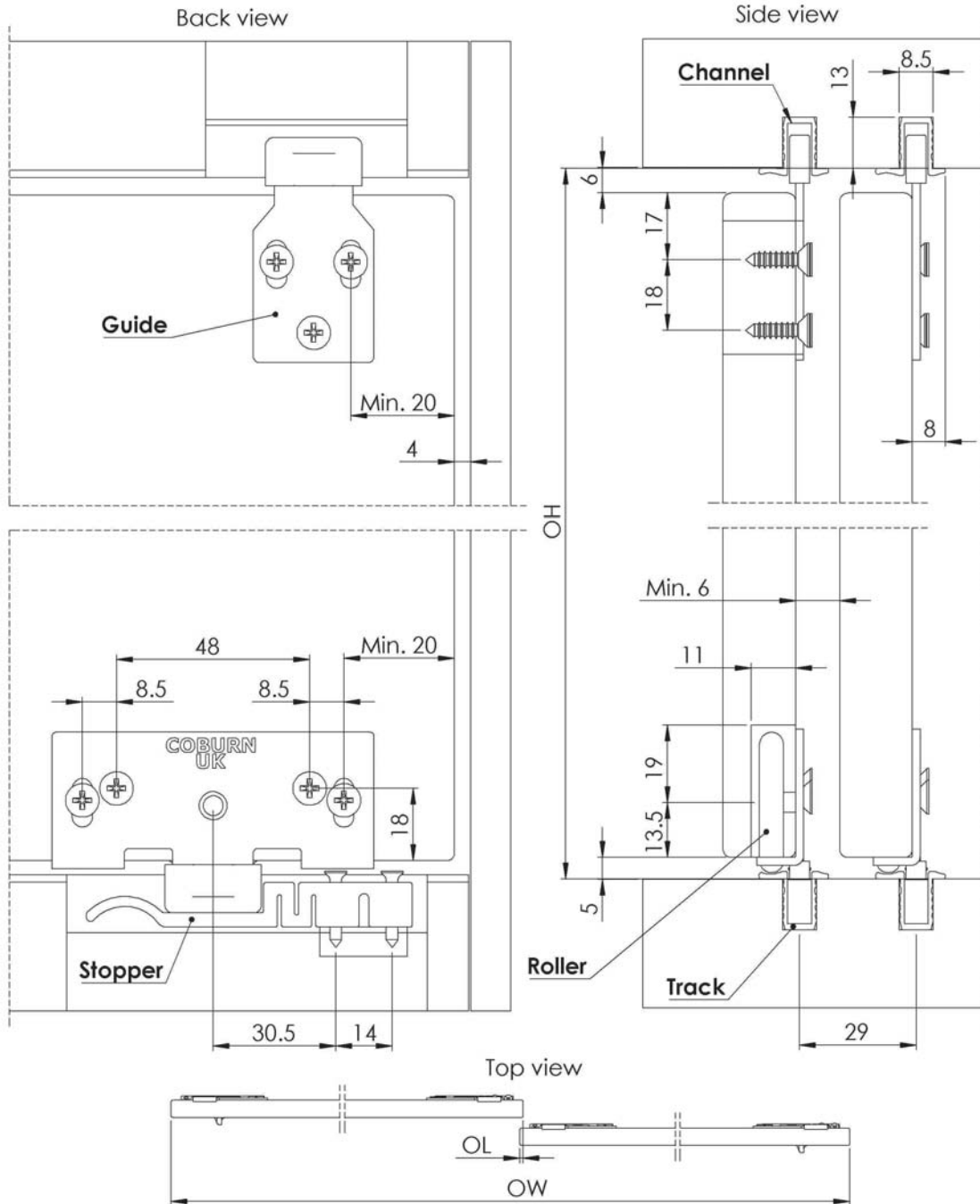
DWi - Door width, between 400mm and 1000mm

DT - Door thickness, between 18mm and 20mm

OL - Door overlap

OW - Opening width

OH - Opening height



For further information on our products and services:

Tel: +44 (0)20 8545 6680 sales@coburn.co.uk www.coburn.co.uk

Coburn Sliding Systems Limited

Unit 1, Cardinal West, Cardinal Way, Cardinal Distribution Park,

Godmanchester, Huntingdon, Cambridgeshire, PE29 2XN United Kingdom.

Dealer Stamp