



Straightaway 130

Sliding & Folding Door Systems



Product Overview

The Straightaway 130 is a quiet and dependable system designed for interior and exterior sliding doors up to 130kg per leaf and is ideally suited for use in residential and commercial applications. The system is effortless to operate and extremely durable, due to its nylon bodied hangers complete with four angled nylon outer wheels and precision bearings all housed in a compact aluminium track.

Features

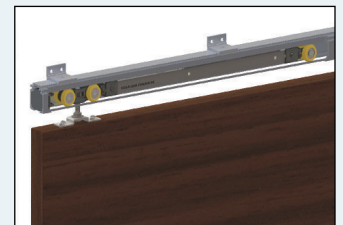
- Tracks can be ceiling mounted or face fixed
- Soft closing mechanism concealed within the track is also available
- Smooth and quiet running
- Synchronized simultaneous opening optional
- No recessed floor tracks required
- Track is self-cleaning due to the angled nylon wheels on the door hanger

Technical Specifications

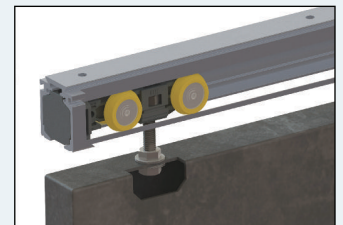
- Maximum door weight: 130kg
- Maximum door height: 3000mm
- Door Thickness: 20 – 50mm
- Track Dimensions: 38mm (w) x 40mm (h)



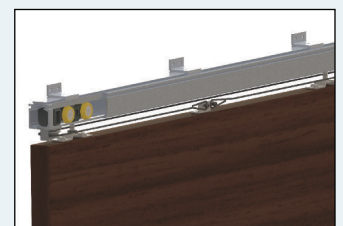
Floor mounted rattle proof guide



Wall fixed track c/w hanger and integrated soft closer for timber door



Soffit fixed track c/w hanger for metal door



Wall fixed track c/w hanger and simultaneous operating kit for timber doors



STRAIGHTAWAY 130

Maximum door weight 130kg

DH - Door height, maximum 3000mm

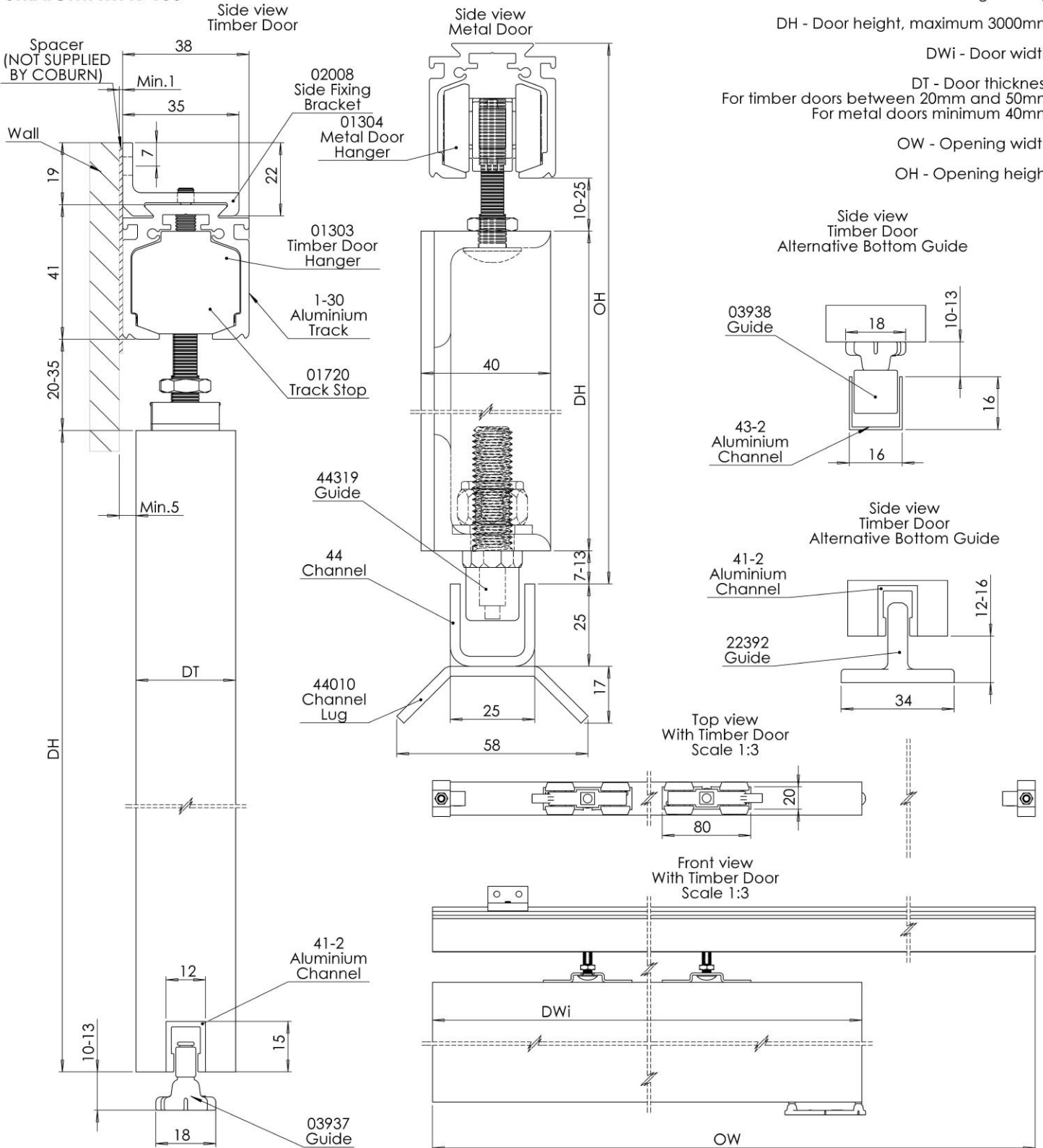
DWi - Door width

DT - Door thickness

For timber doors between 20mm and 50mm
For metal doors minimum 40mm

OW - Opening width

OH - Opening height



For further information on our products and services:
Tel: +44 (0)20 8545 6680 sales@coburn.co.uk www.coburn.co.uk

7cVi fb 'G']X]b['GnY a g @a]HX
Unit 1, Cardinal West, Cardinal Way, Cardinal Distribution Park,
Godmanchester, Huntingdon, Cambridgeshire, PE29 2XN United Kingdom.

Dealer Stamp