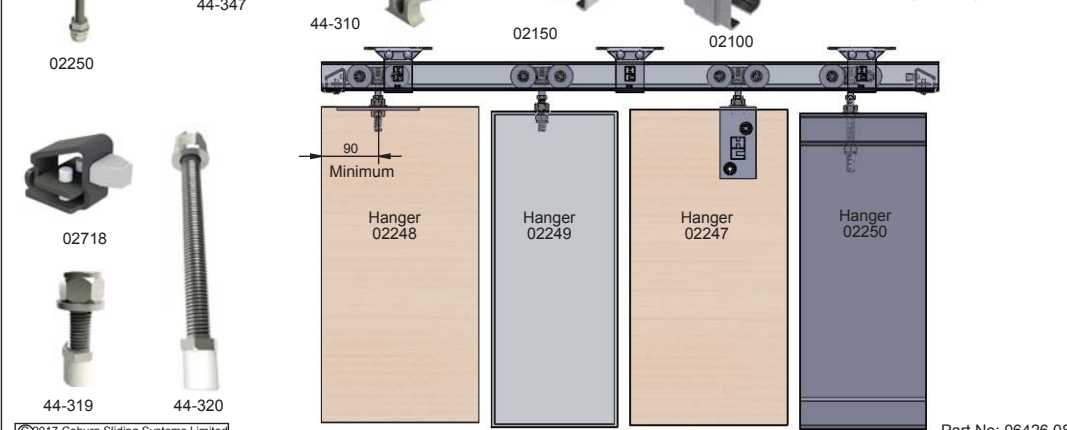
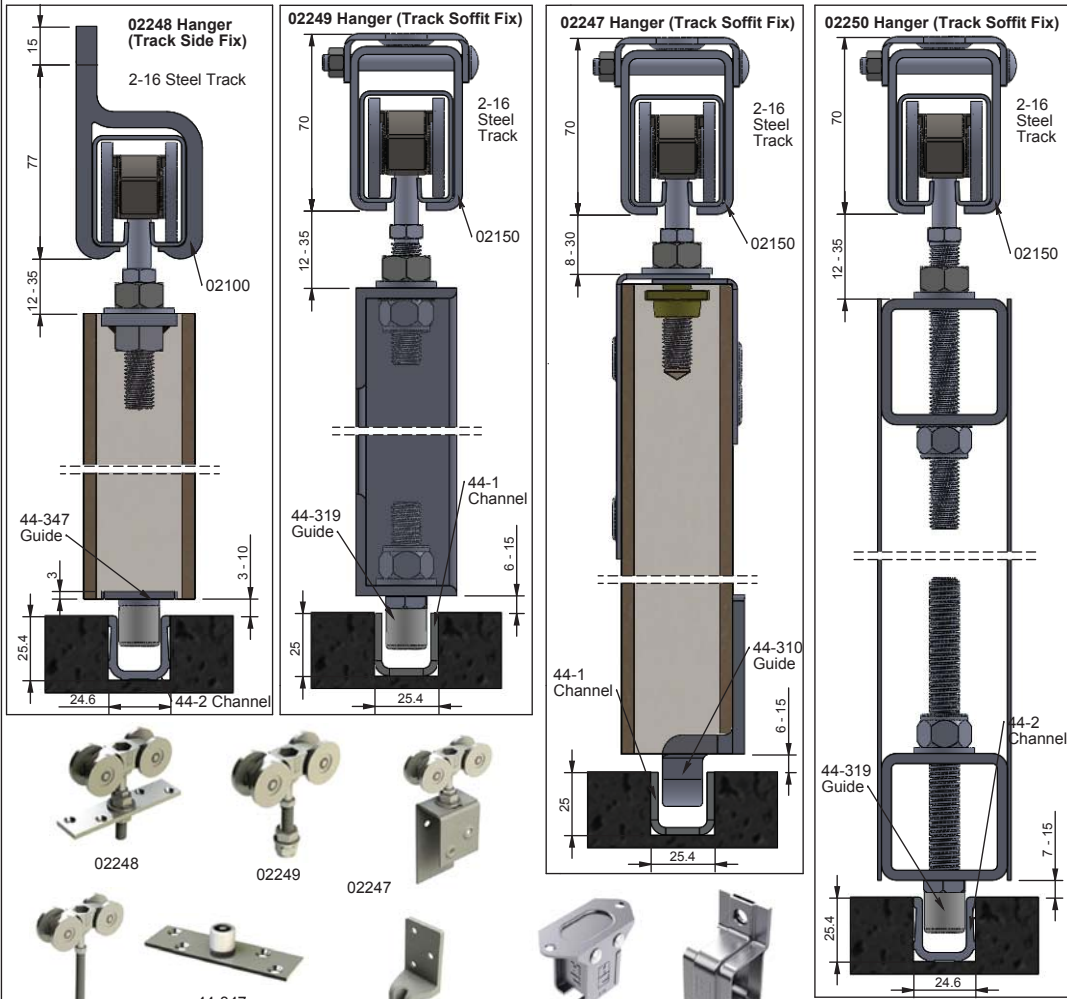


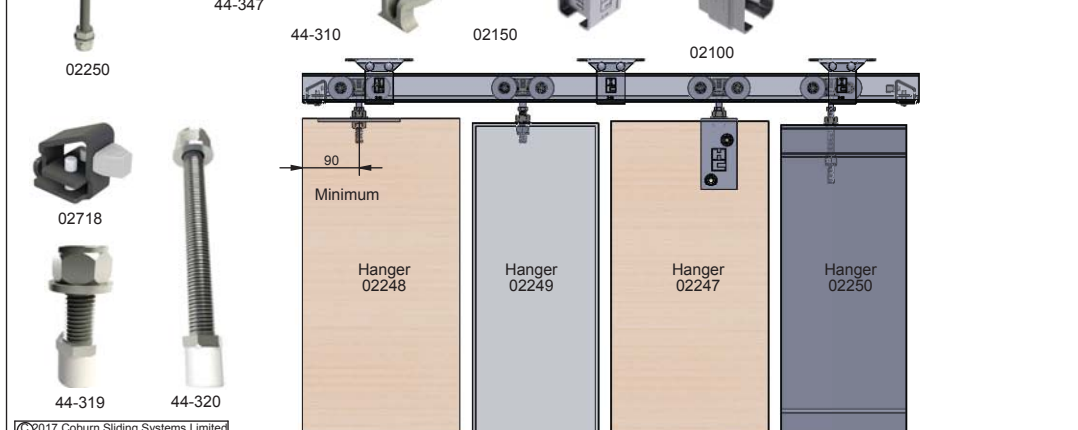
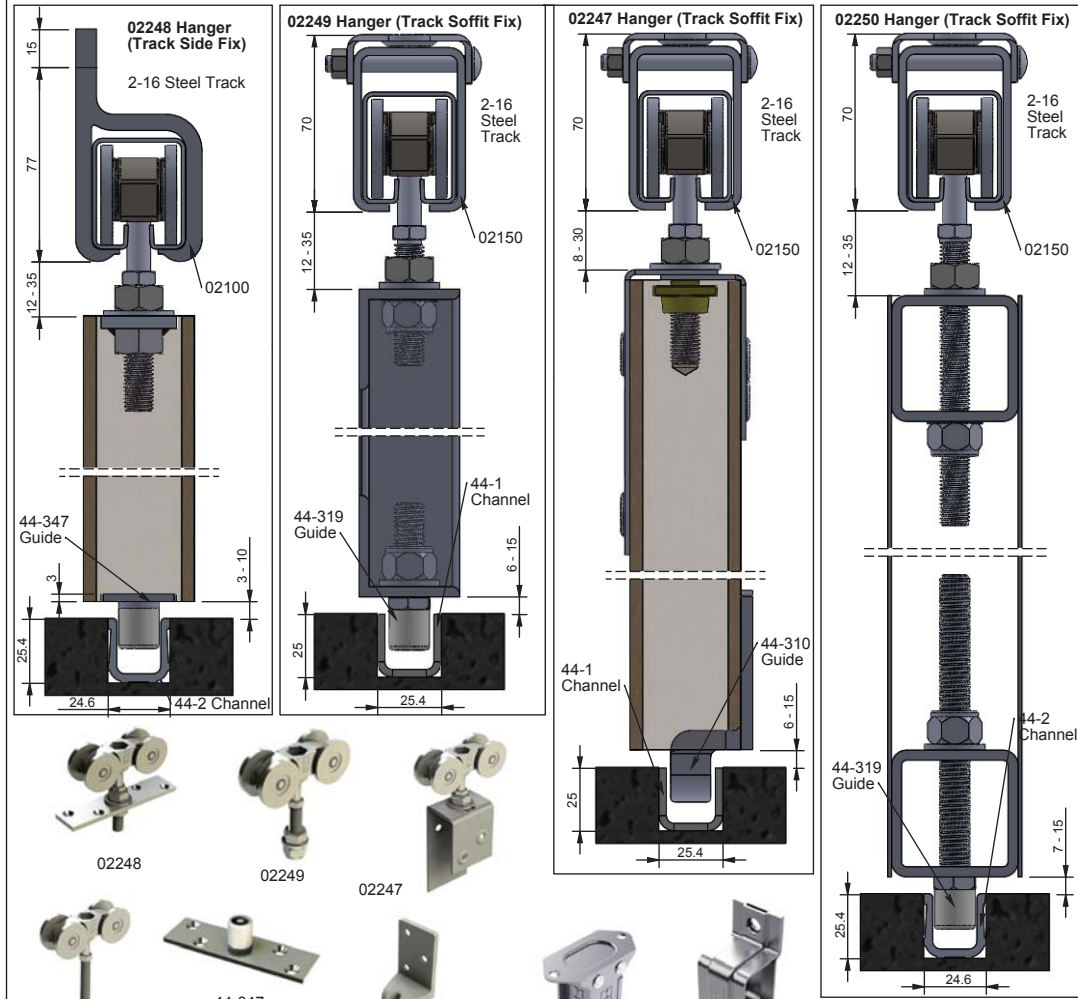
# STRAIGHTAWAY 216 Fitting Instructions

Max weight: 250Kg, Max height:4m, Thickness: 35-45mm



# STRAIGHTAWAY 216 Fitting Instructions

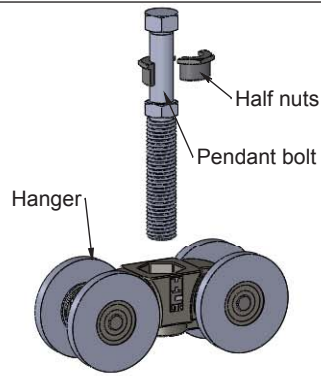
Max weight: 250Kg, Max height:4m, Thickness: 35-45mm



**Addition of half nuts on the hanger Assembly:**

Before inserting pendant bolt into the hanger, put half nuts part no: 03025.131(see fig A) on to the pendant bolt and then insert pendant bolt through centre hole of the hanger.

Hangers required half nut:  
02247  
02248  
02249  
02250

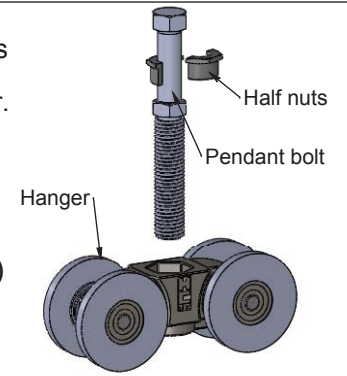


(Fig A)

**Addition of half nuts on the hanger Assembly:**

Before inserting pendant bolt into the hanger, put half nuts part no: 03025.131(see fig A) on to the pendant bolt and then insert pendant bolt through centre hole of the hanger.

Hangers required half nut:  
02247  
02248  
02249  
02250



(Fig A)

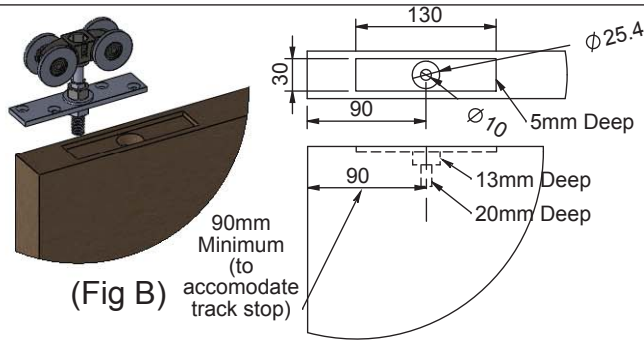


Fig B: Cut out for the hanger no: 02248

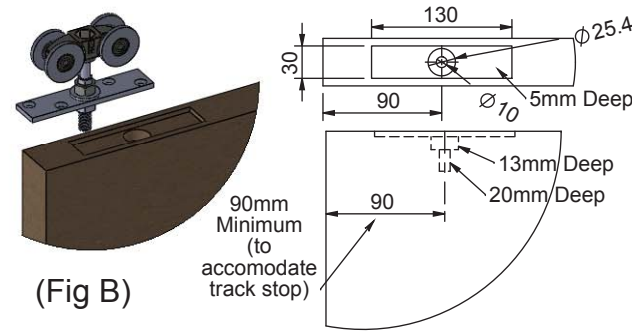


Fig B: Cut out for the hanger no: 02248

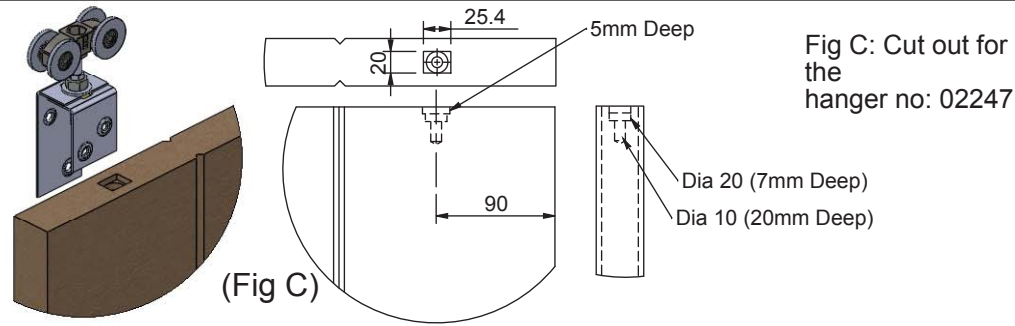


Fig C: Cut out for the hanger no: 02247

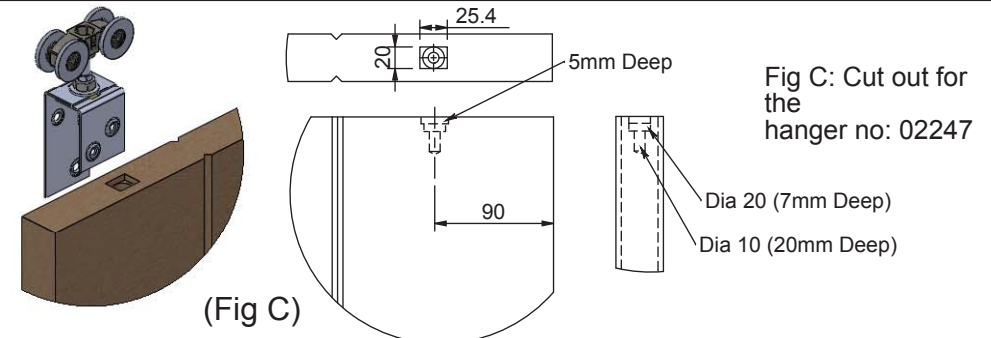
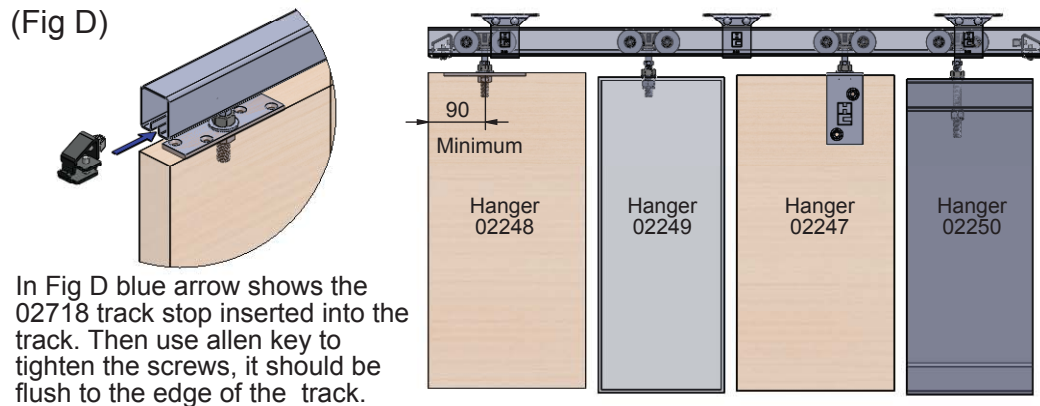
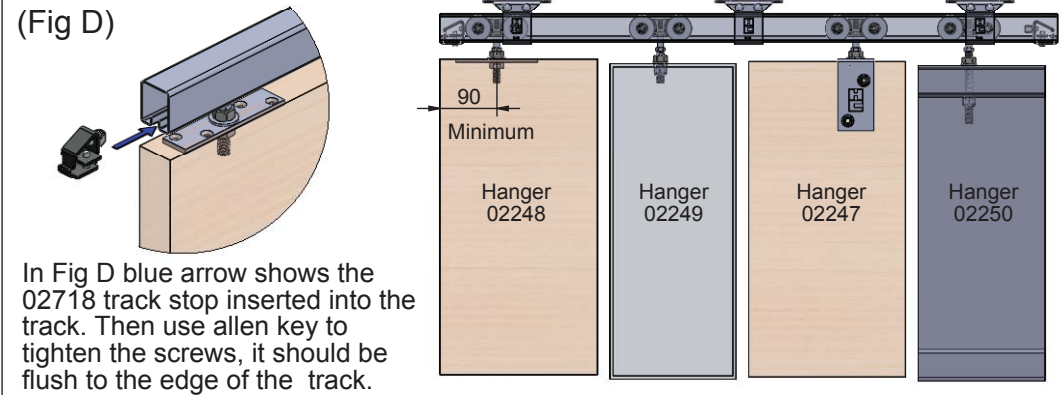


Fig C: Cut out for the hanger no: 02247



In Fig D blue arrow shows the 02718 track stop inserted into the track. Then use allen key to tighten the screws, it should be flush to the edge of the track.



In Fig D blue arrow shows the 02718 track stop inserted into the track. Then use allen key to tighten the screws, it should be flush to the edge of the track.