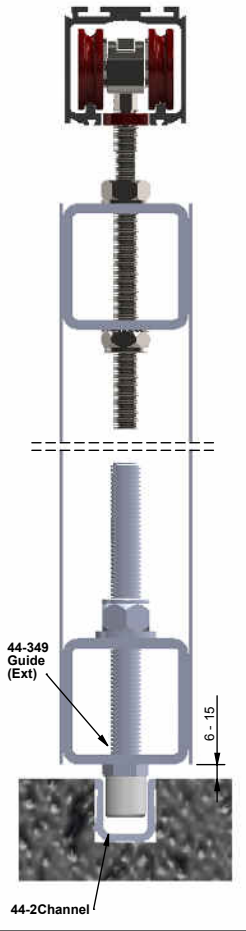


# ETERNAL 180 Fitting Instructions

Max weight: 180Kg, Max height:3500mm, Thickness: 35-55mm



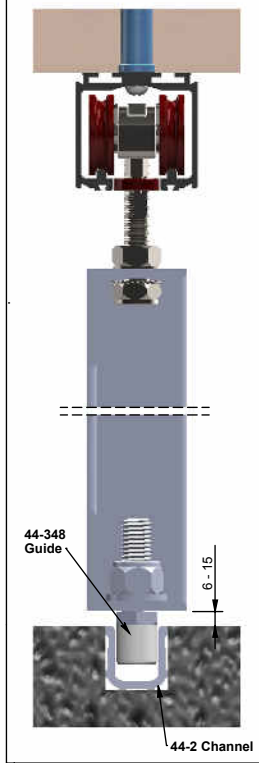
01802 Hanger (Track Soffit Fix)



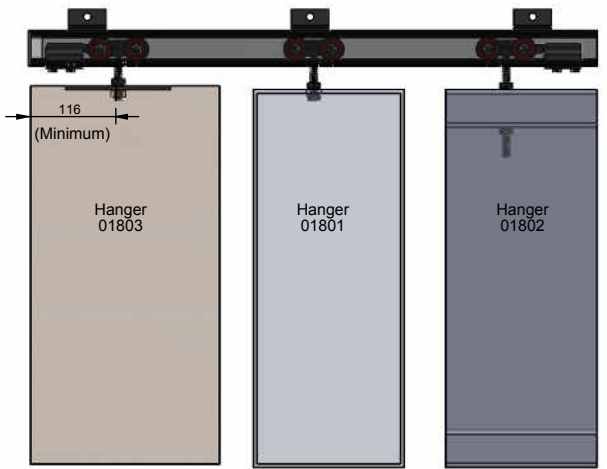
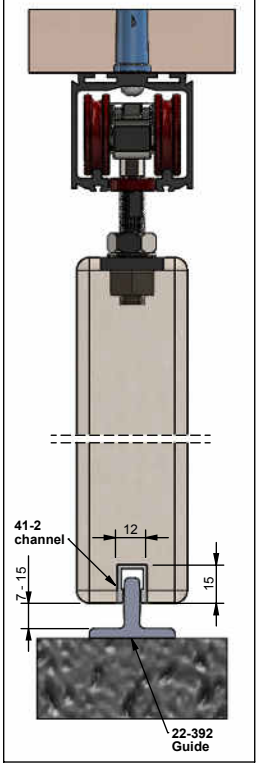
01803 Hanger (Track Side Fix)



01801 Hanger (Track Soffit Fix)



01803 Hanger (Track Soffit Fix)

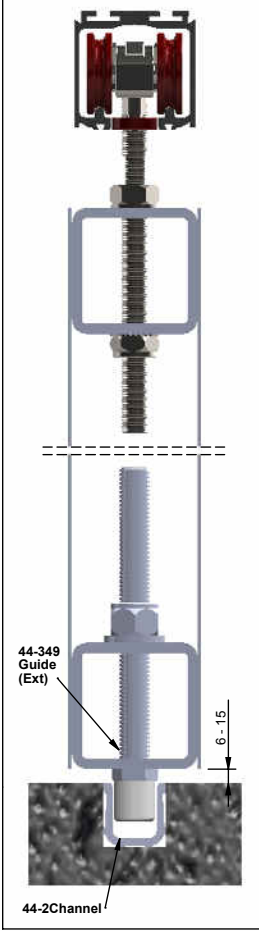


# ETERNAL 180 Fitting Instructions

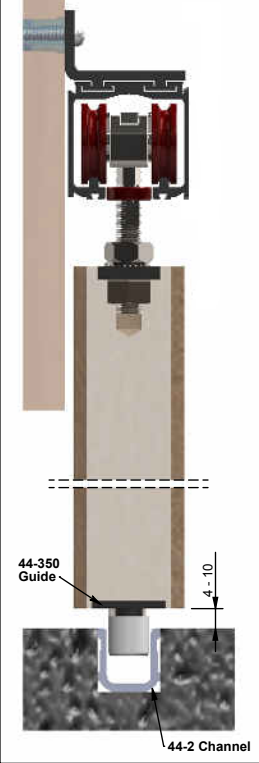
Max weight: 180Kg, Max height:3500mm, Thickness: 35-55mm



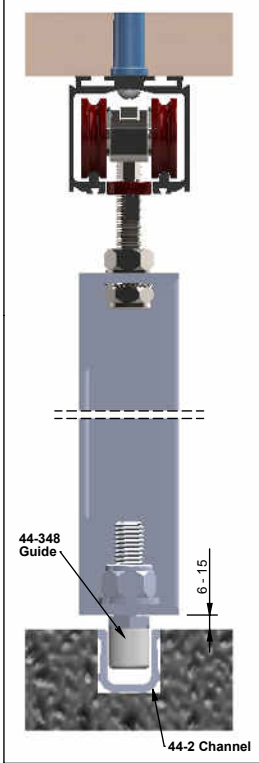
01802 Hanger (Track Soffit Fix)



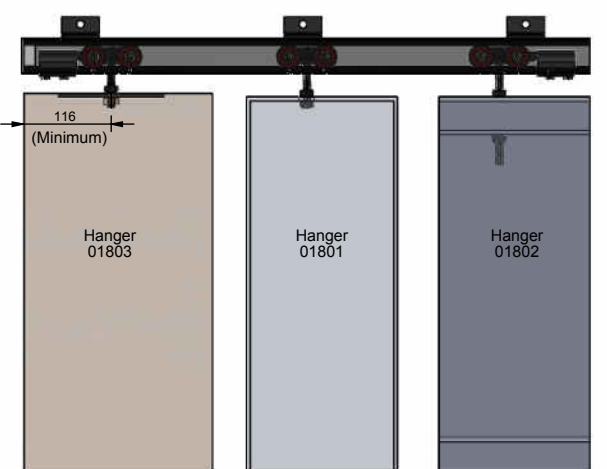
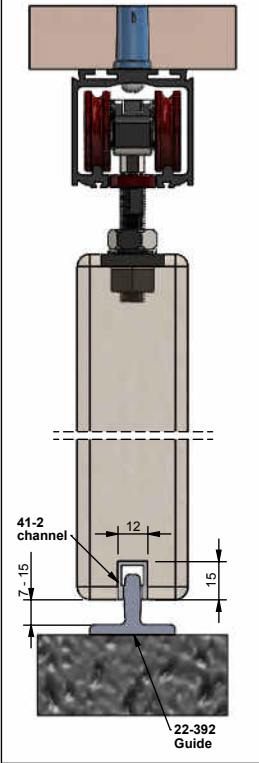
01803 Hanger (Track Side Fix)



01801 Hanger (Track Soffit Fix)



01803 Hanger (Track Soffit Fix)



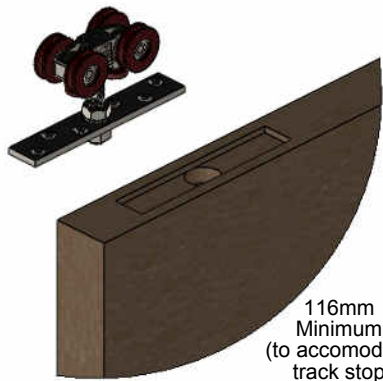


Fig A

116mm Minimum (to accommodate track stop and end cap)

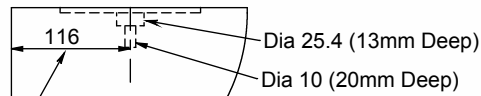
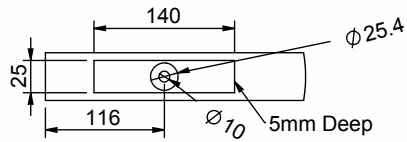


Fig A: Cut out for the hanger no: 01803

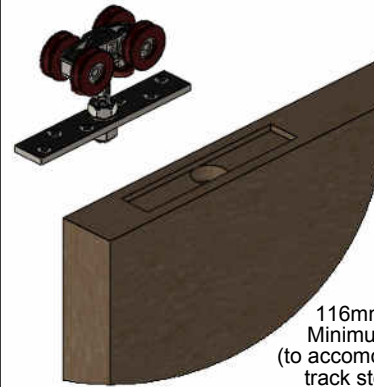


Fig A

116mm Minimum (to accommodate track stop and end cap)

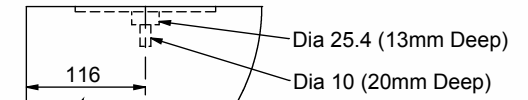
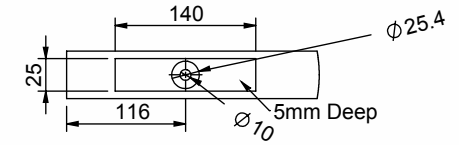


Fig A: Cut out for the hanger no: 01803



Track stop 02719

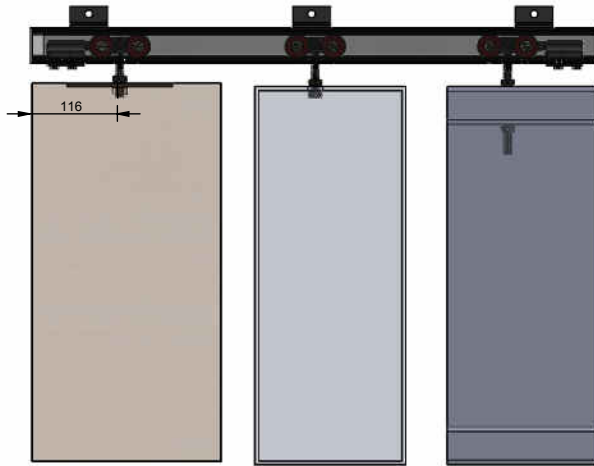


Fig C

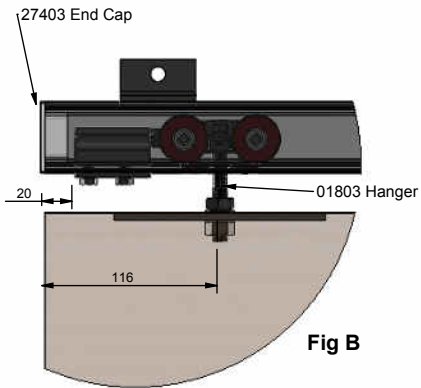
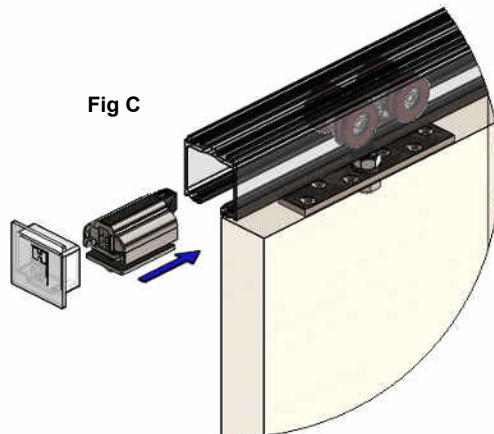


Fig B

Fig B shows track stop 02719 is 20mm from edge of the track to give clearance for the end cap.



In Fig C blue arrow shows the 02719 track stop inserted into the track. Then use spanner to tighten the screws.



Track stop 02719

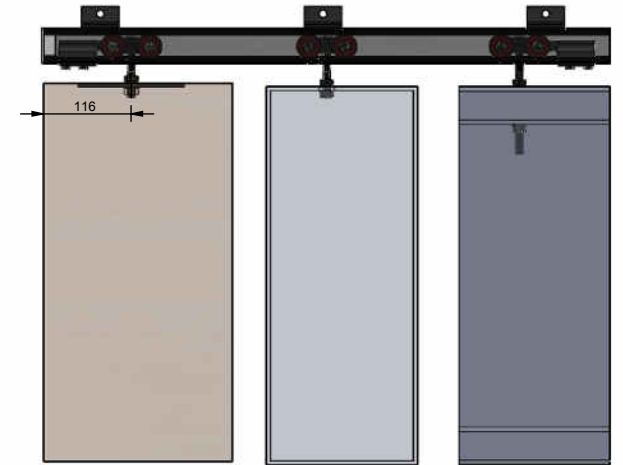


Fig C

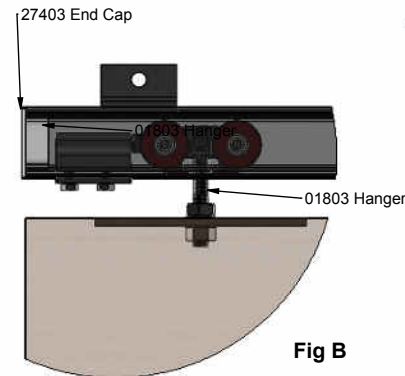
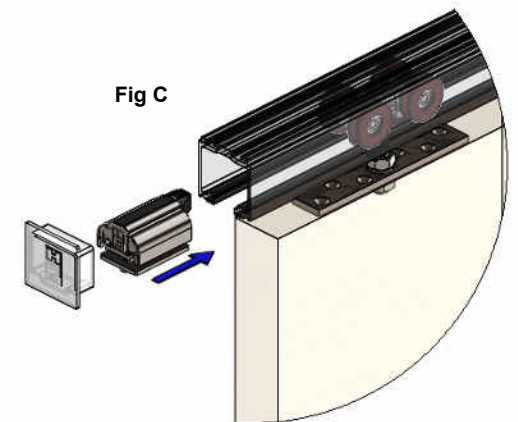


Fig B

Fig B shows track stop 02719 is 20mm from edge of the track to give clearance for the end cap.



In Fig C blue arrow shows the 02719 track stop inserted into the track. Then use spanner to tighten the screws.