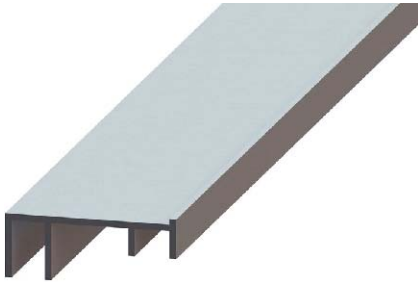


FITTING INSTRUCTIONS FOR ECLAT 80 - 2 DOOR SYSTEM

COMPONENTS



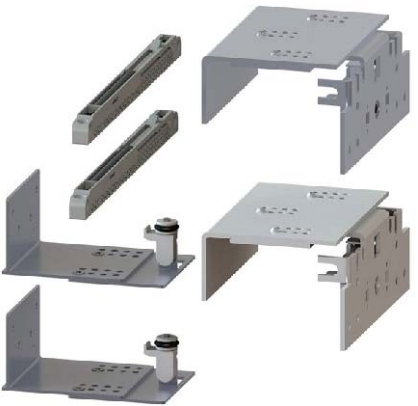
85120/30/40 - Eclat 80, top track, anodized



85220/30/40 - Eclat 80, bottom track, anodized



85331 - Eclat 80, fittings pack for 1 inner door c/w soft opening and closing dampers



85333 - Eclat 80, fittings pack for 1 outer door c/w soft opening and closing dampers

ECLAT 80 SPECIFICATIONS

Maximum Door Weight
80kg

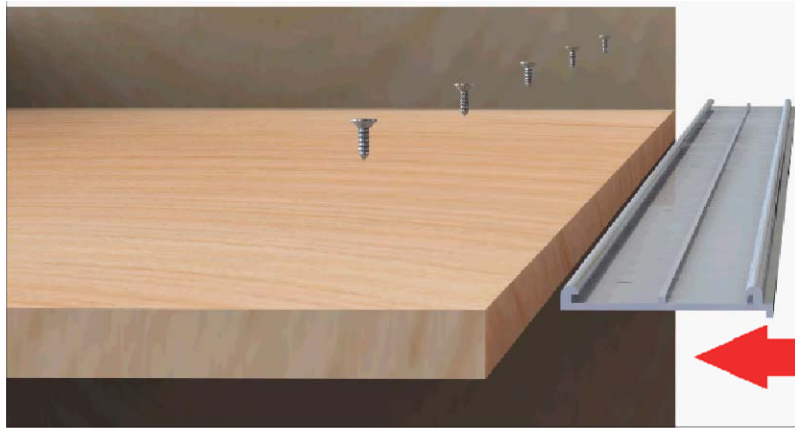
Maximum Door Height
2500mm

Minimum Door Clearance
b/w door leaves
8mm

Door Thickness
20 - 50mm

Maximum Door Width
1500mm

Step 1 Mounting top track



Go on top of the wardrobe
and fix the top track

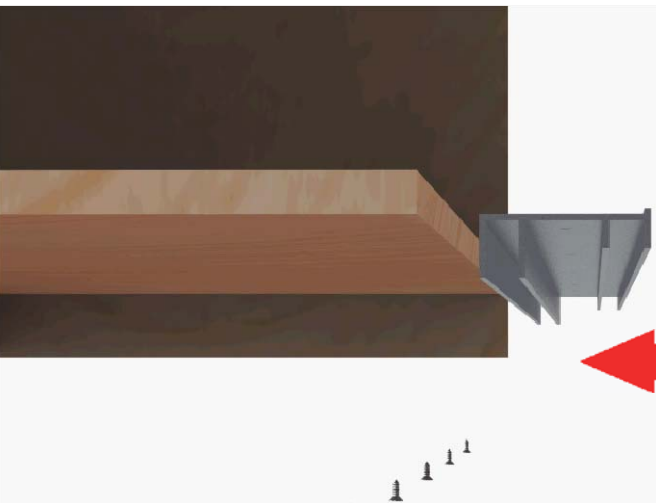
Use screws to fix track on
wardrobe



Outer Rail

Inner Rail

Step 2 Mounting bottom track



Go to the bottom of the wardrobe
and fix the bottom track

Use screws to fix track on the
wardrobe



Outer channel

Inner channel

Step 3 Mounting soft closers

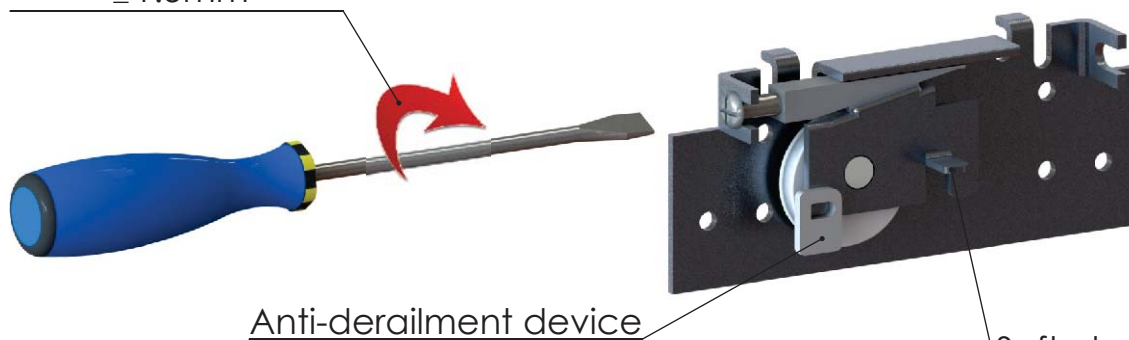


Fix the dampers on each side of the wardrobe.

Make sure they are in opened position (the spring of the damper is loaded)

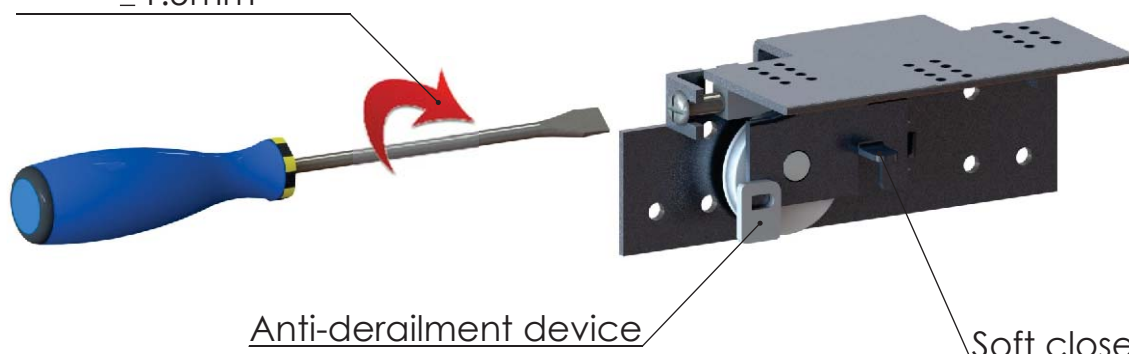
Step 4 Preparing inner & outer door rollers

Vertical adjustment
 $\pm 1.5\text{mm}$



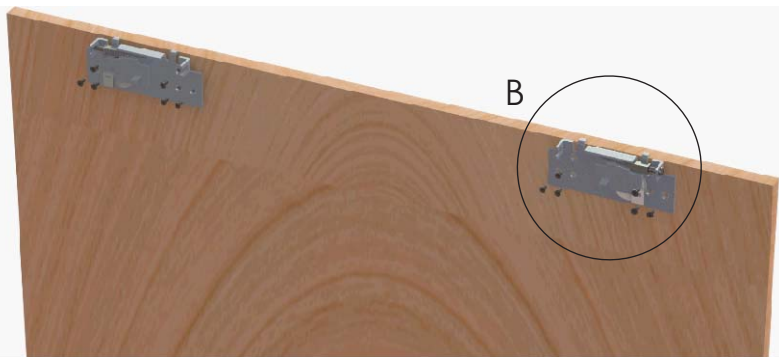
Upper roller for inner door

Vertical adjustment
 $\pm 1.5\text{mm}$

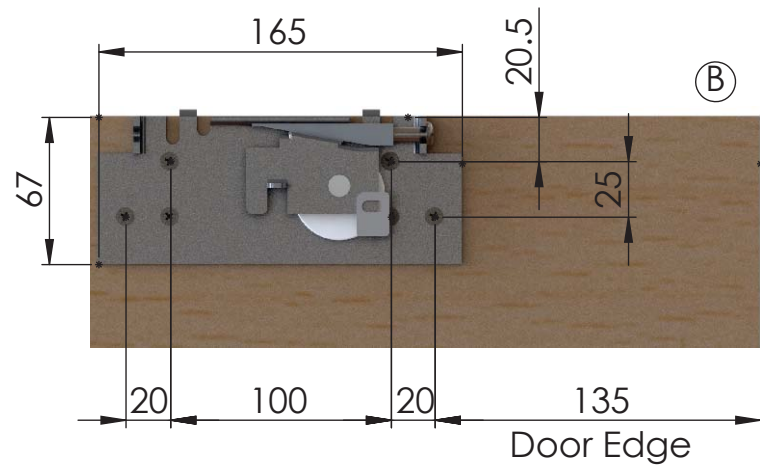


Upper roller for outer door

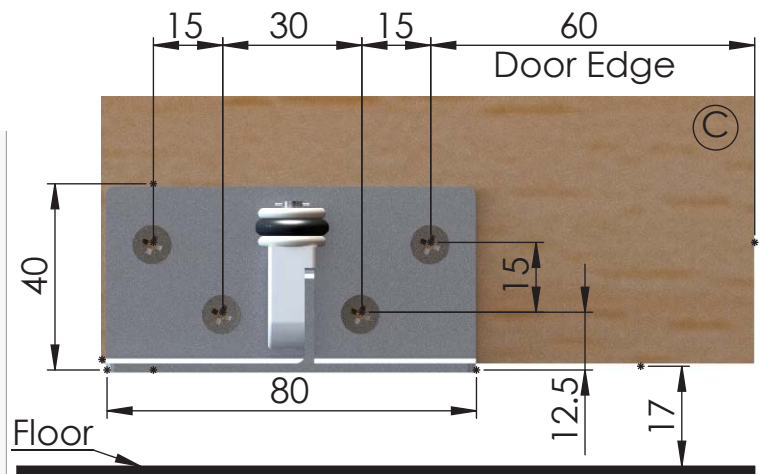
Step 5 Preparing inner door



Go on top of the inner door and fix the left and right rollers

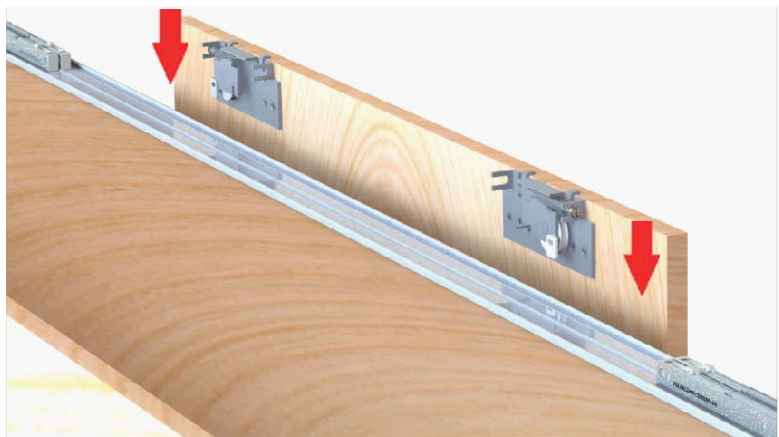


Go to the bottom of the inner door and fix the left and right lower guides

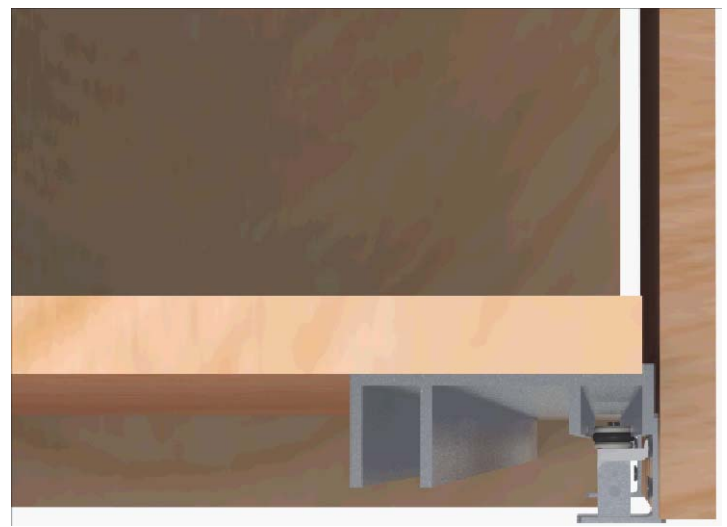


Step 6 Mounting inner door - Top

Place the inner door in central position and place the roller on the top track outer rail



Step 7 Mounting inner door - Bottom



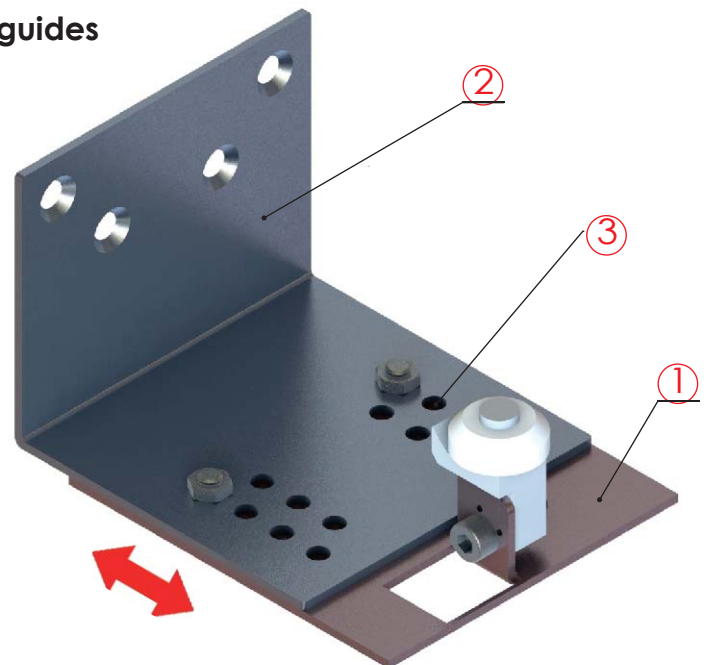
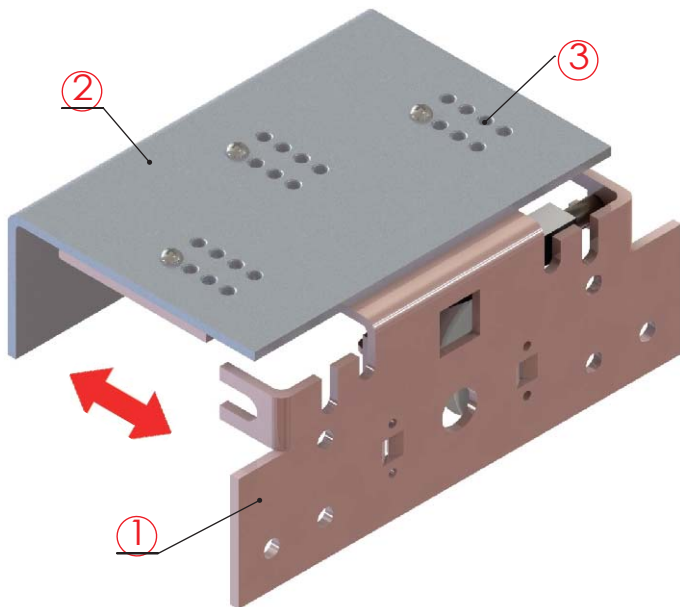
Once the top rollers are in position on the top track, push the lower guides in the bottom track outer channel until you hear a 'CLICK' sound

To unfasten the door, hold it from the bottom of the door and pull

Close the inner door



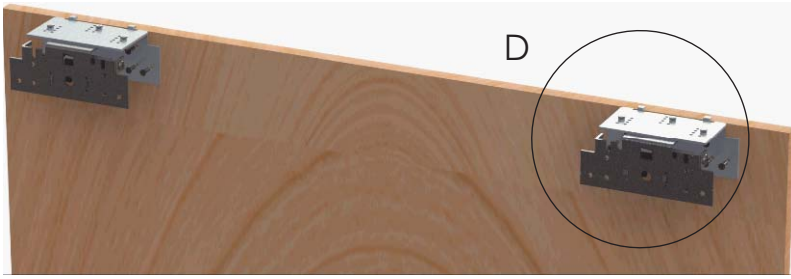
Step 8 Adjust the outer door upper rollers & lower guides



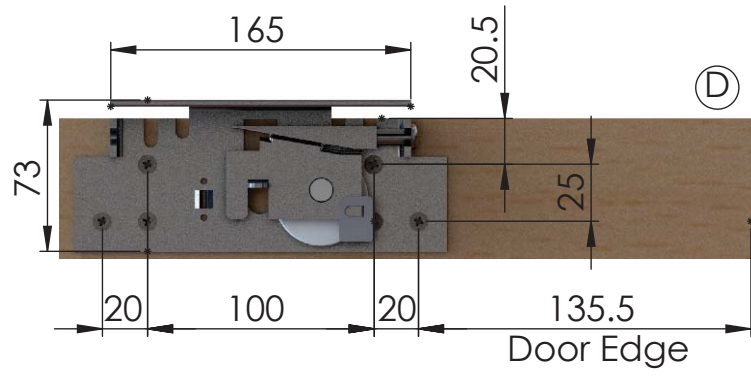
It is possible to use doors between the thickness of 20 and 50 mm.
To adjust the upper rollers let the parts **1** and **2** slide to have the holes of the part **1** corresponding to the holes (**3**) of the part **2** referred to the correct thickness.

To adjust the lower guides of the outer door, let the parts **1** and **2** slide to have the holes of the part **1** corresponding to the holes (**3**) of the part **2** referred to the correct thickness.

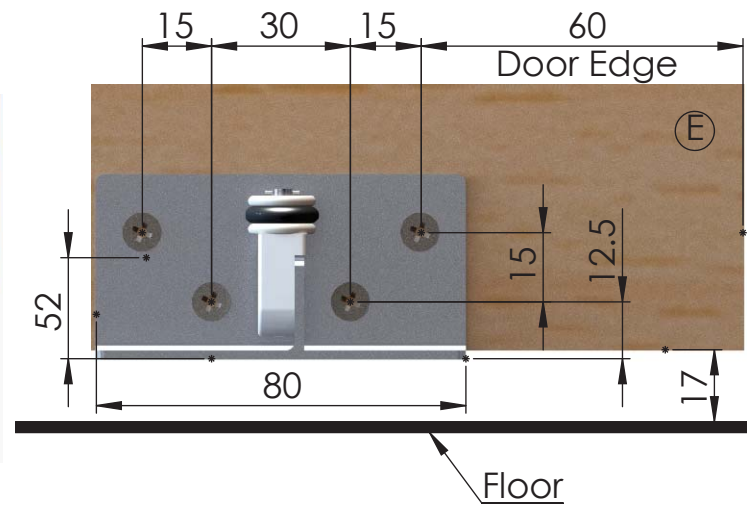
Step 9 Preparing outer door



On top of the outer door and fix the top rollers



On the bottom of the outer door and fix the lower guides



Step 10 Mounting outer door - Top

Place the outer door in central position and place the roller on the top track inner rail



Step 11 Mounting outer door - Bottom



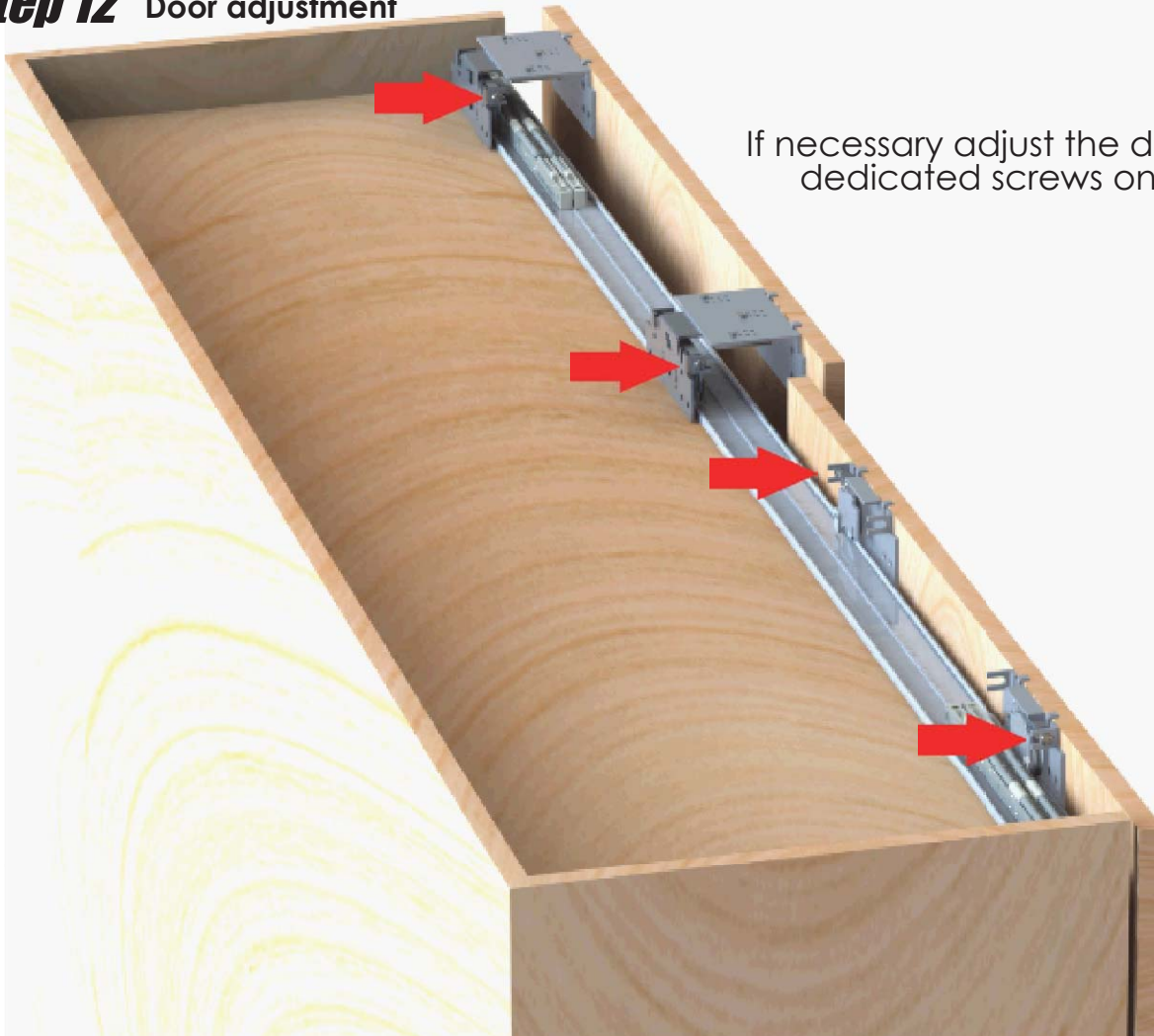
Once the top rollers are in position on the top track, push the lower guides in the bottom track inner channel until you hear a 'CLICK' sound

To unfasten the door, hold it from the bottom of the door and pull

Close the inner door



Step 12 Door adjustment



If necessary adjust the door's height with the dedicated screws on the upper rollers

Eclat 80 2 Door Set



Coburn Sliding Systems Limited
Unit 1, Cardinal West, Cardinal Way,
Godmanchester, PE29 2XN, United Kingdom

Phone: +44 (0)20 8545 6680

Fax: +44 (0)20 8545 6720

E-mail: sales@coburn.co.uk

www.coburn.co.uk