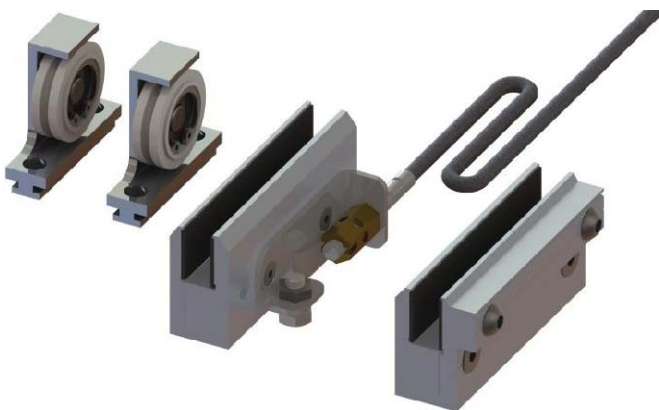


FITTING INSTRUCTIONS FOR FLEXIGLAS SYNCRO

COMPONENTS



51193 - Flexiglas Syncro Kit, 80kg

REQUIRED TOOLS



Allen Key

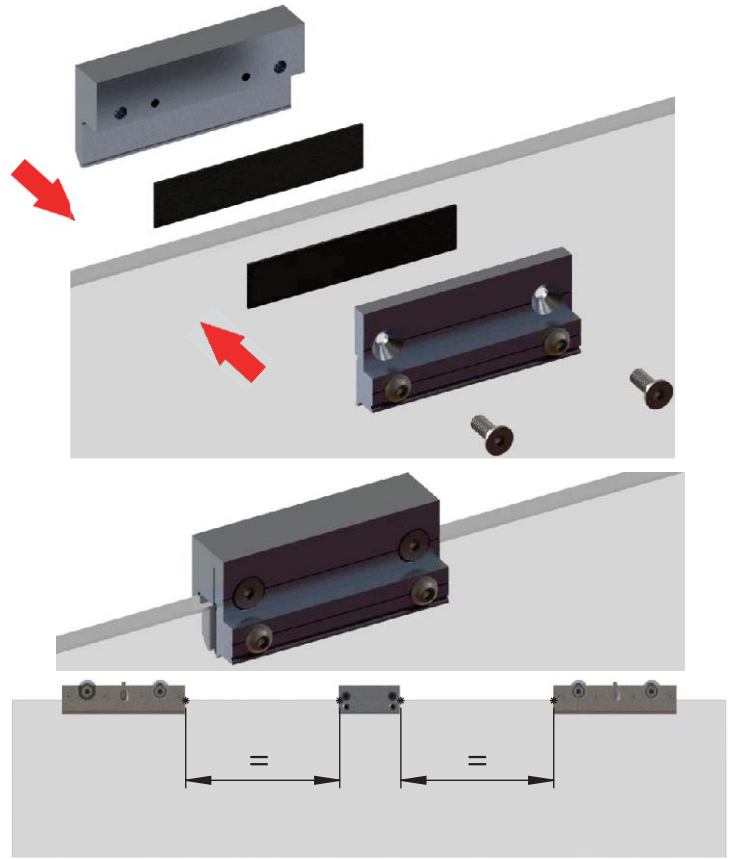
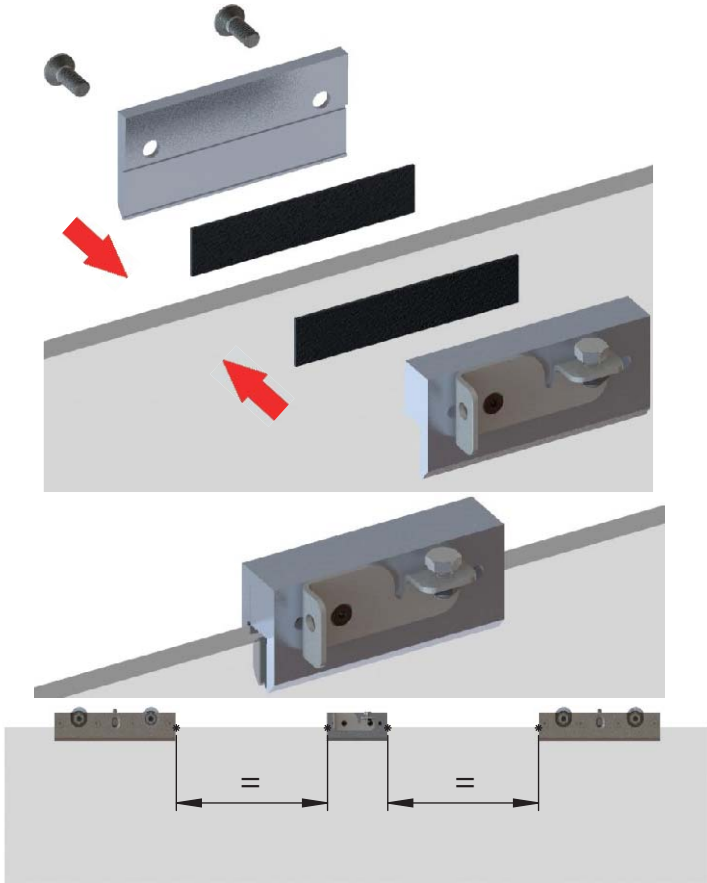


Spanner

Step 1 Door preparation

Left door

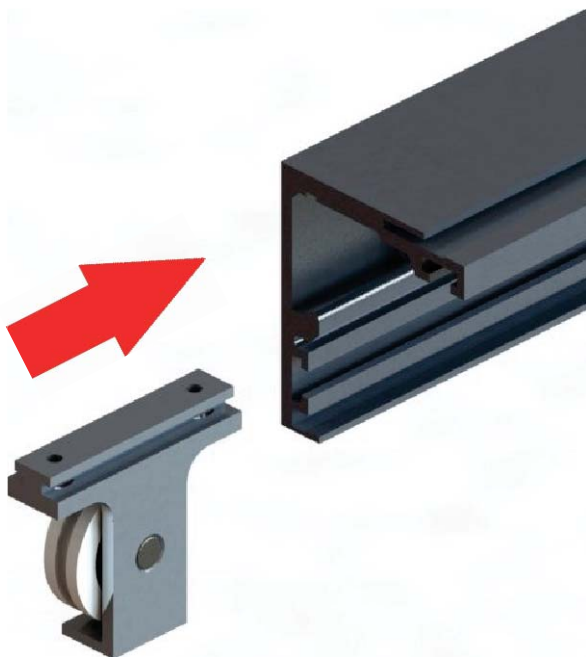
Right door



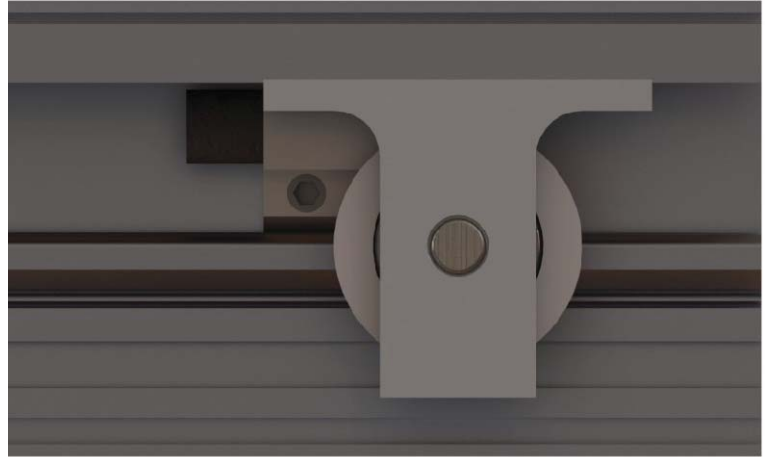
Thoroughly clean the glass surface that comes in contact with the rubber spacers.
Screws must be tighten with 12Nm force.

Step 2 Insert pulleys into track

Insert pulleys at both ends of the track



Step 3 Fix pulleys



The edge of the pulley must be flushed to the stopper.

Secure the pulley with **screws** supplies.

Step 4 Install metal wire

NOTE: Before installing the wire ensure the doors are in fully closed or opened position



1 - Insert the end of the wire with the screw end through the plate and secure it with the nut

2 - Put the wire over the pulley

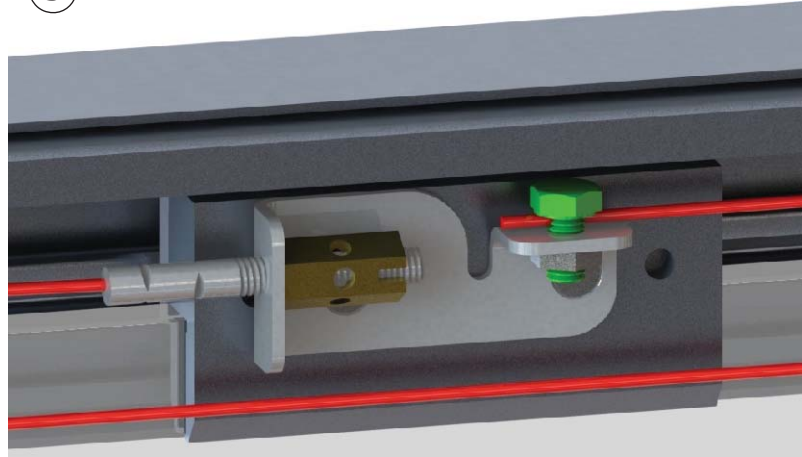
3 - Tight the screws over the wire

Step 5 Install metal wire (continued)

④



⑤



4 -Run the wire across the second pulley

5 - Secure the end of the wire with the **screw** and adjust the force by tightening or loosening the screw at other end of the wire

FLEXIGLAS SYNCRO



Coburn Sliding Systems Limited

Unit 1, Cardinal West, Cardinal Way,

Godmanchester, PE29 2XN, United Kingdom

Phone: +44 (0)20 8545 6680

Fax: +44 (0)20 8545 6720

E-mail: sales@coburn.co.uk

www.coburn.co.uk