

# FITTING INSTRUCTIONS FOR FLUSHSLIDE 3 DOOR SYSTEM

## COMPONENTS



83120/30/40 - Top track & bottom channel



83224 - Left hand sliding unit, 55kg



83225 - Right hand sliding unit, 55kg



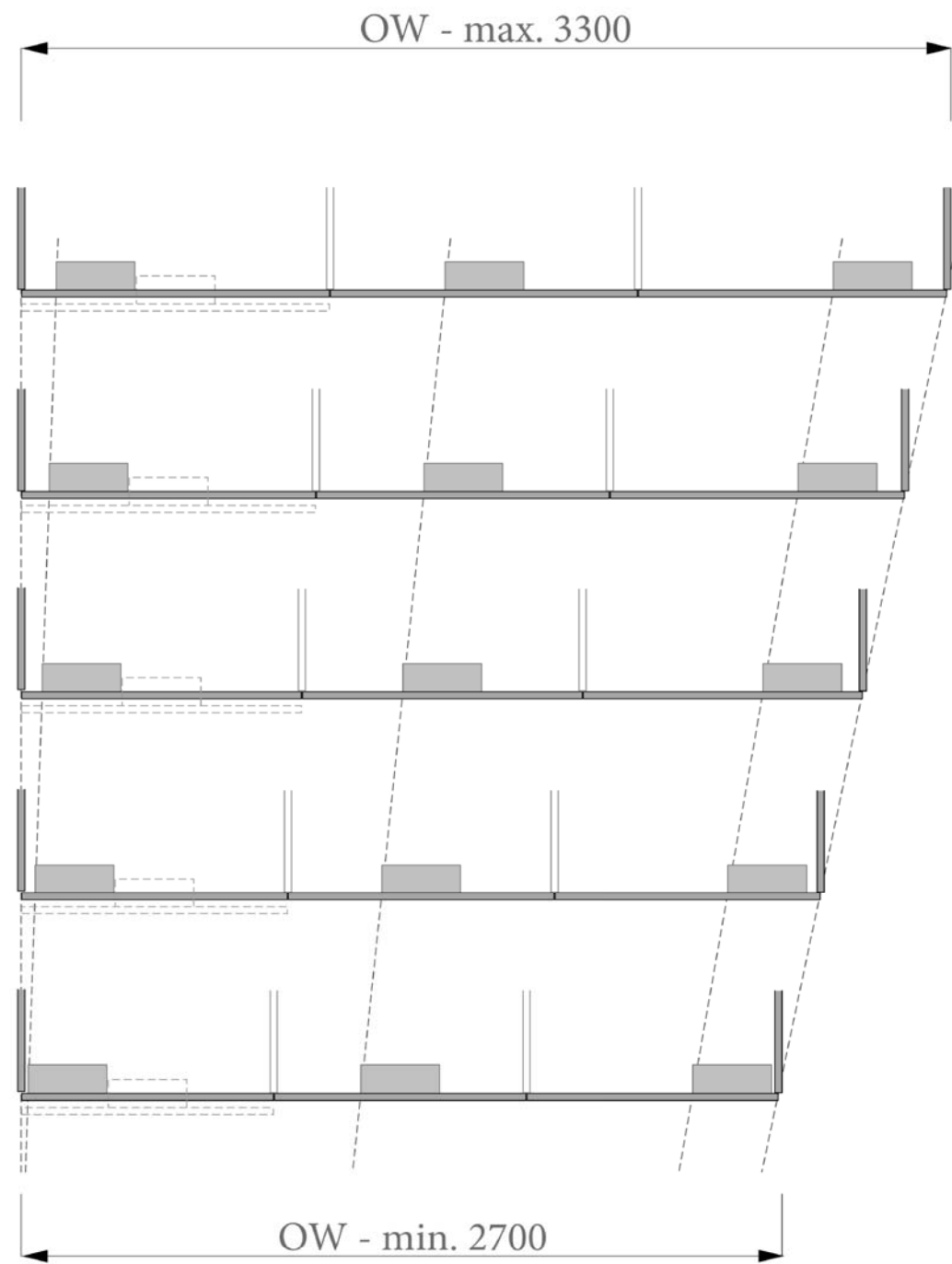
83226 - Centre sliding unit, 55kg

## TOOLS REQUIRED

13mm - Spanner  
3mm and 4mm - Allen Key  
4mm - Drill Bit  
Power Screw Driver  
Posi Drive Screw Bit

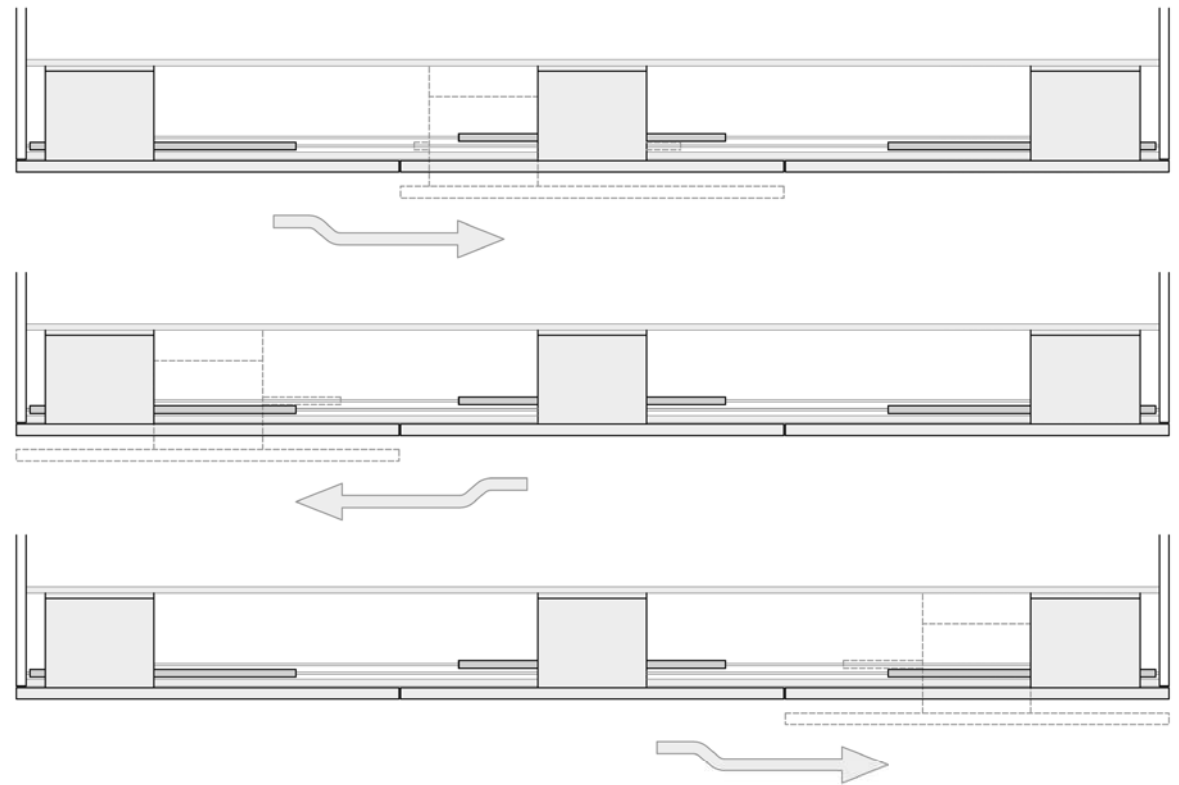


# NOTE: BEFORE STARTING FIRST READ THROUGH THE FITTING INSTRUCTIONS

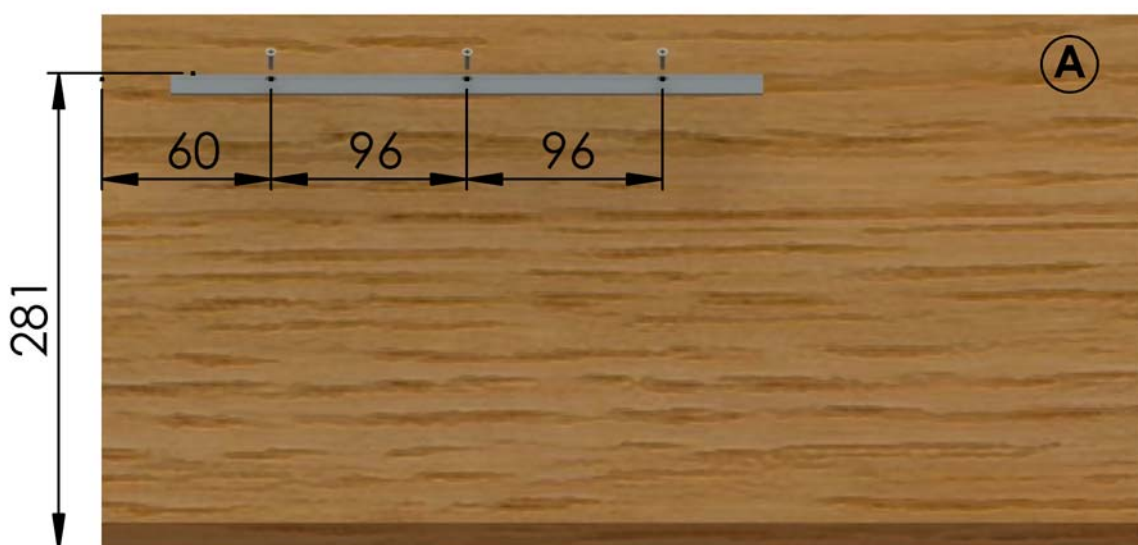
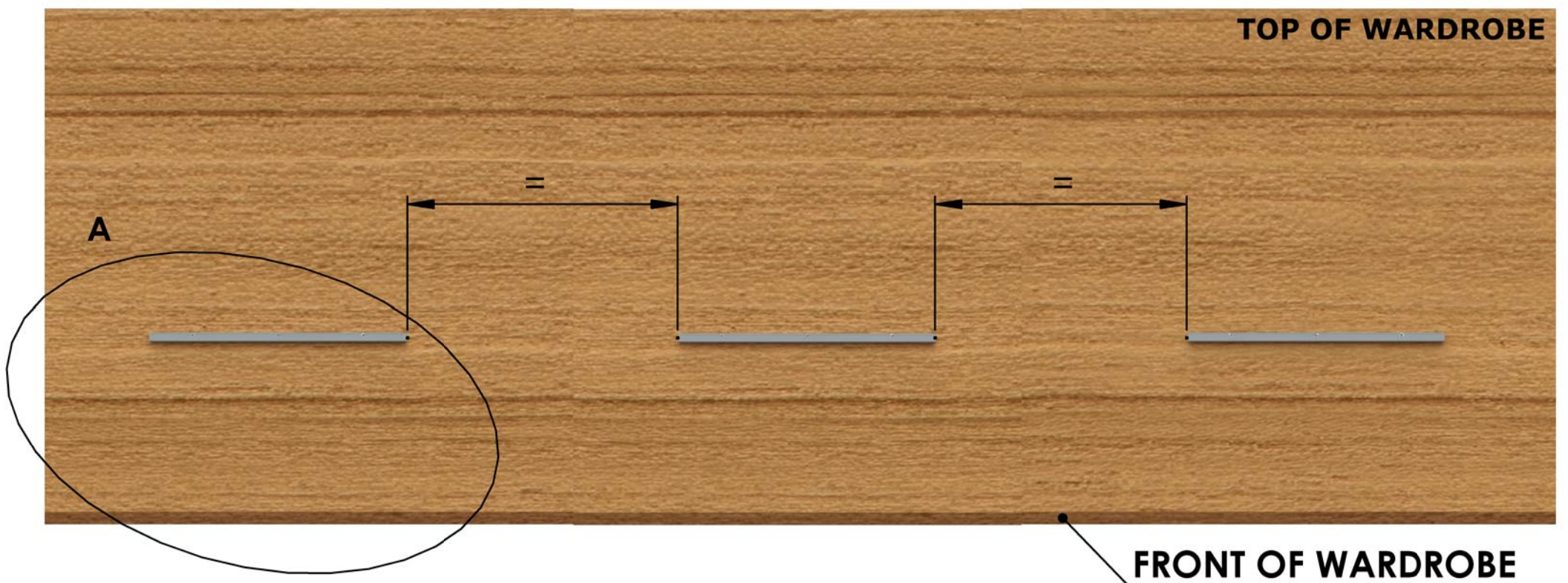


Maximum door weight 85kg  
 DH - Door height, maximum 3000mm  
 DWi - Door width  
 DT - Door thickness, between 20mm and 45mm  
 OH - Opening height  
 In opened position doors are fully overlapping

OW for 3 doors with 55kg rollers is between 2700mm and 3300mm



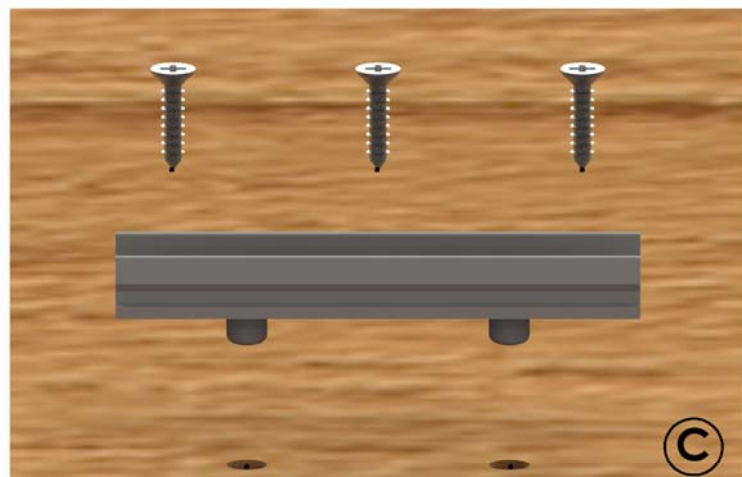
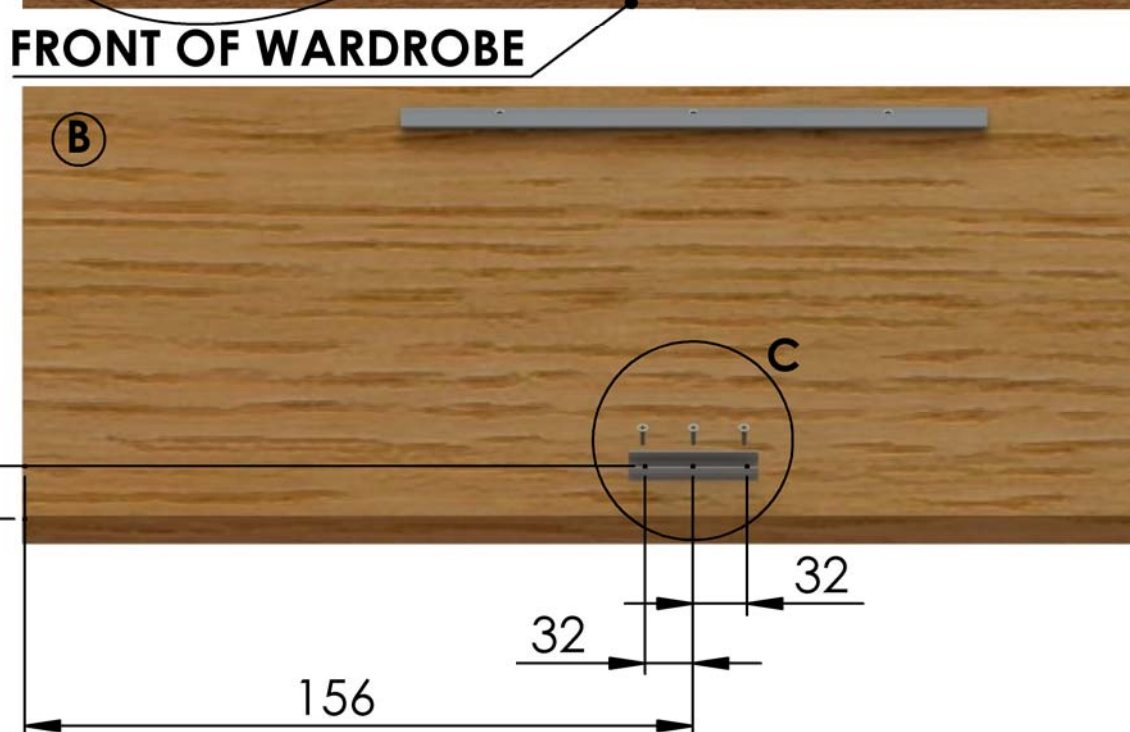
## Step 1 Mounting 'Z' profile on top



Fix the 'Z' profiles on the top

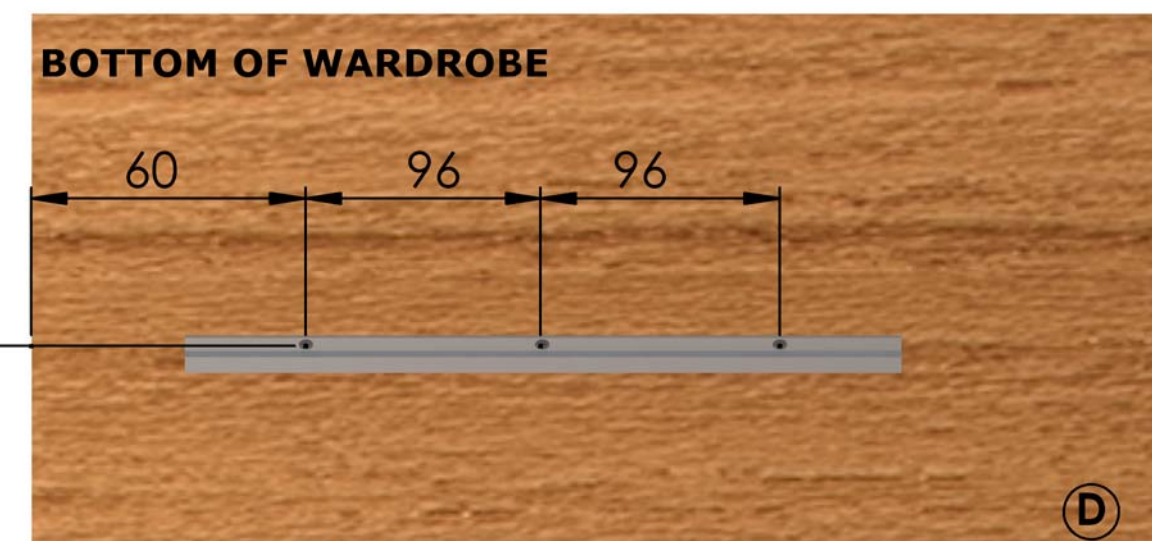
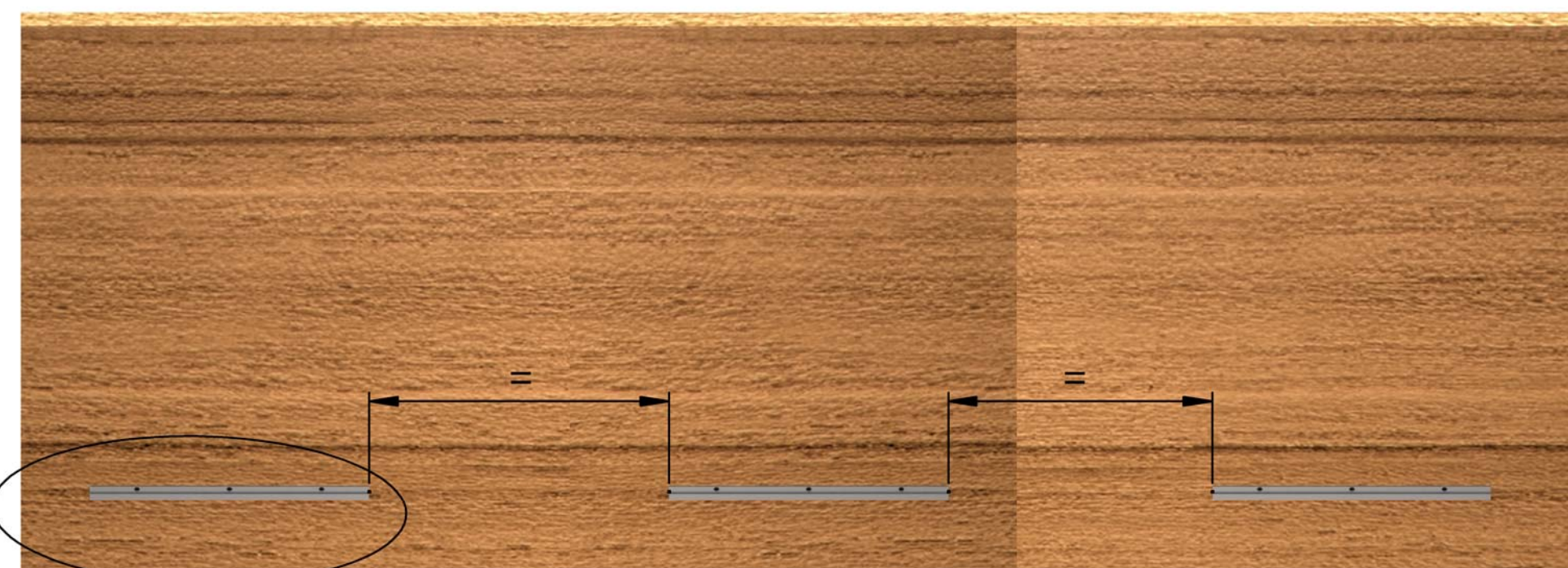


## Step 2 Mounting 'clicking' profile on top



Fix the 'clicking' profiles on the top

## Step 3 Mounting 'Z' profile on bottom

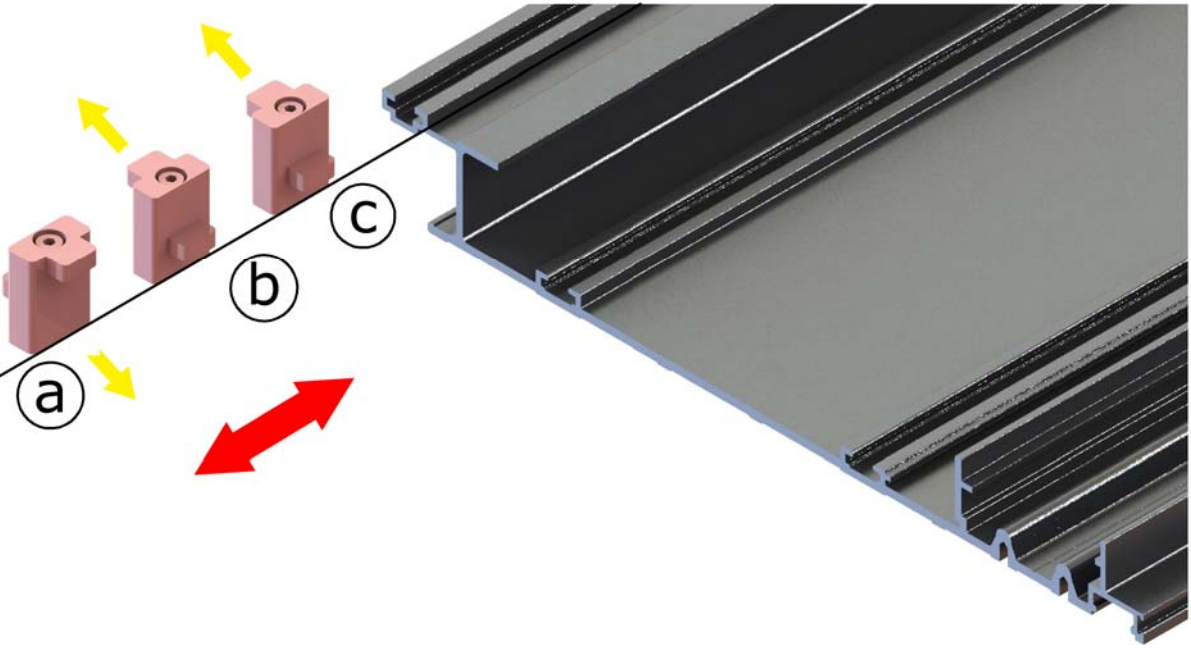


Fix the 'Z' profiles on the bottom base



**Step 4** Mounting soft closing actuator

Insert the actuators into track but leave screws loose, tighten the screws after Step 13



- Ⓐ - actuator for left door
- Ⓑ - actuator for centre door
- Ⓒ - actuator for right door



For distance and fixing please follow instructions in Step 13

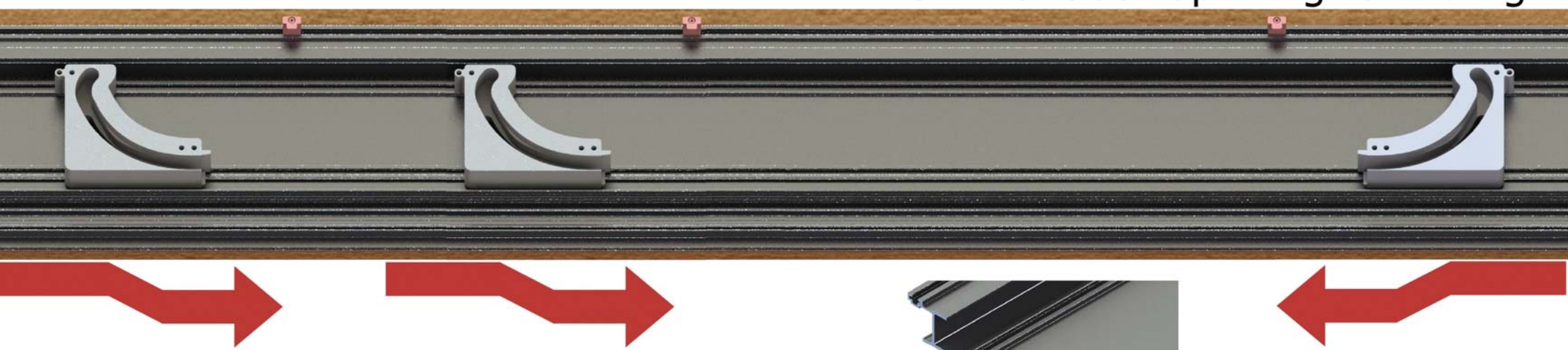
**Step 5** Mounting upper curves

Place the top track on a work bench/ floor

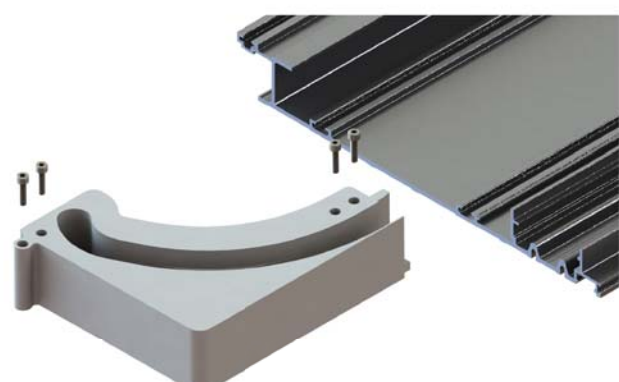
Central door opening to the left



Central door opening to the right



NOTE: Curves are marked left (SX) and right (DX)

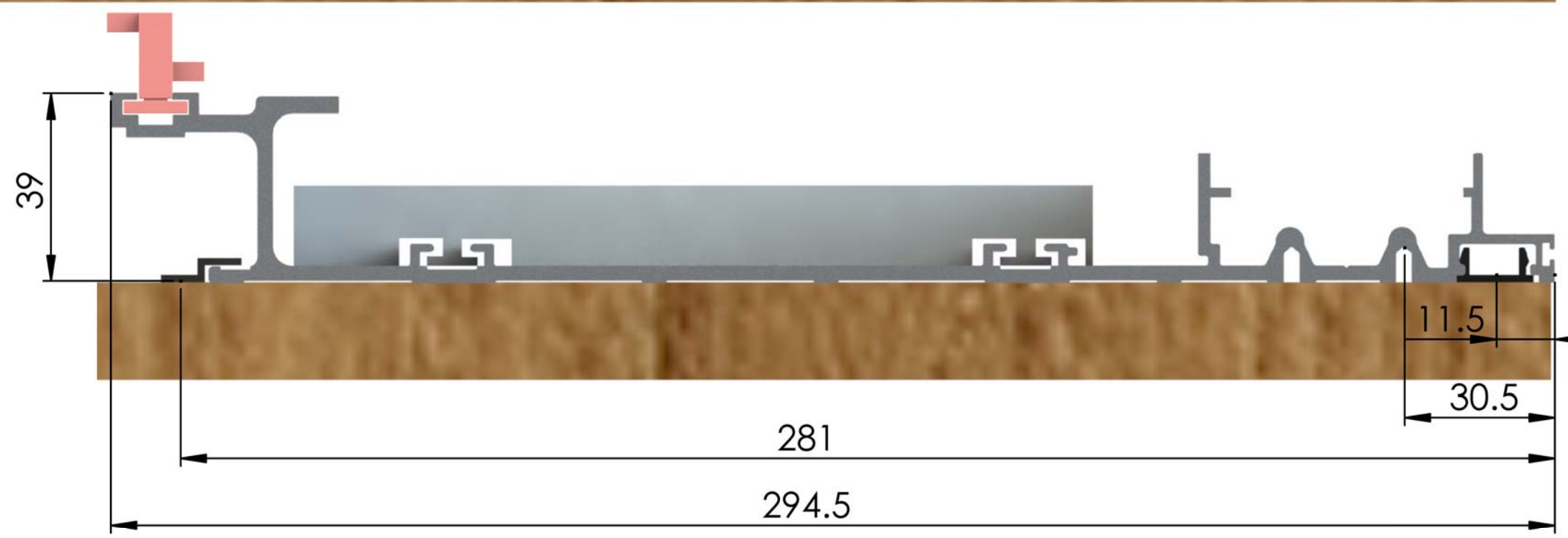




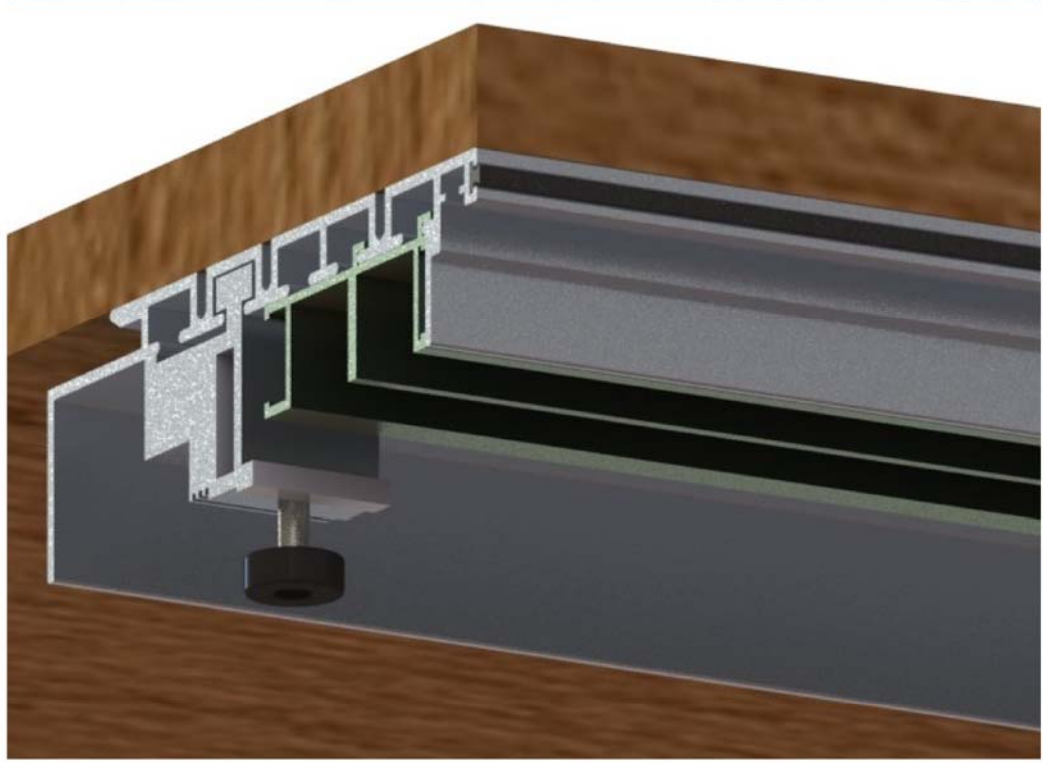
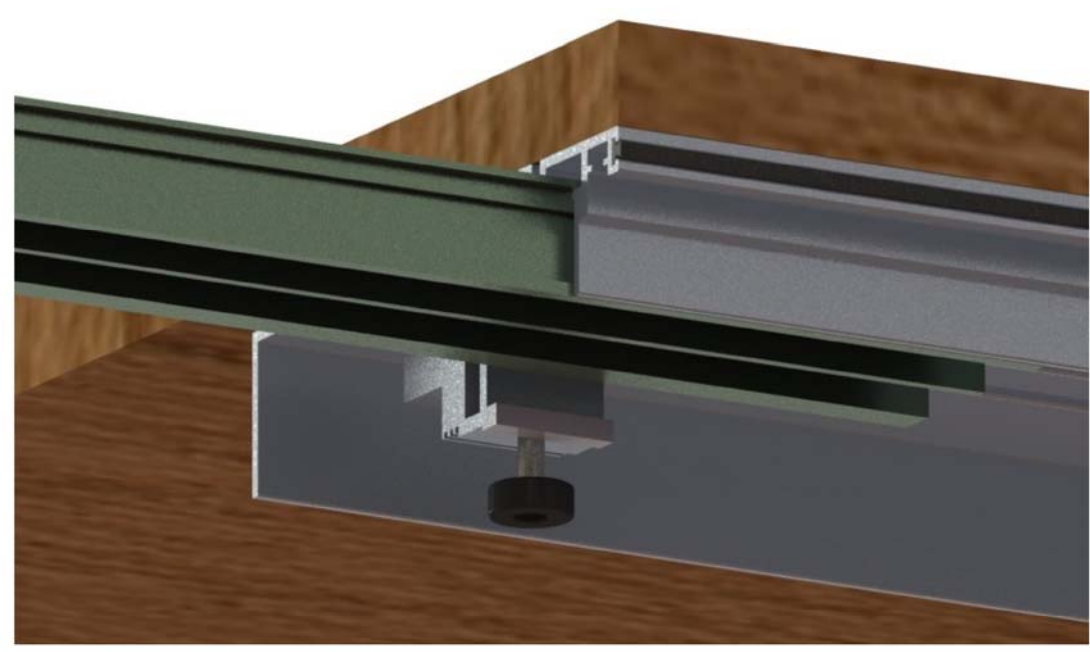
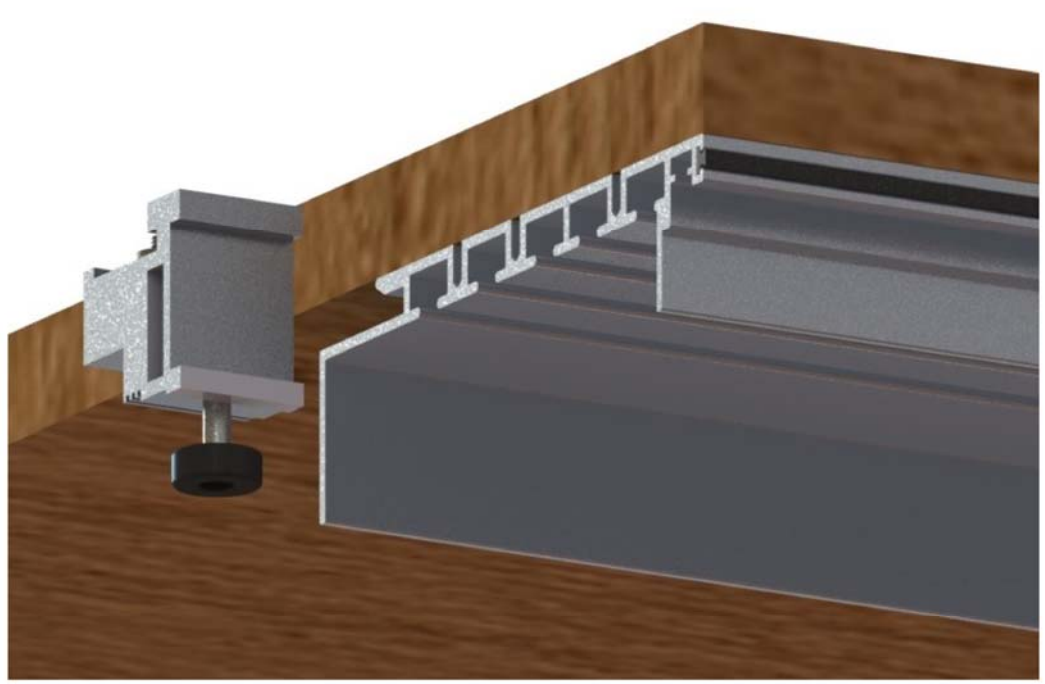
**Step 6** Upper rail mounting

1. Insert the back of track in the Z profile.

2. Push the track into click profile until you hear a CLICK sound.



**Step 7** Installing the first set of feet and middle rail fixing



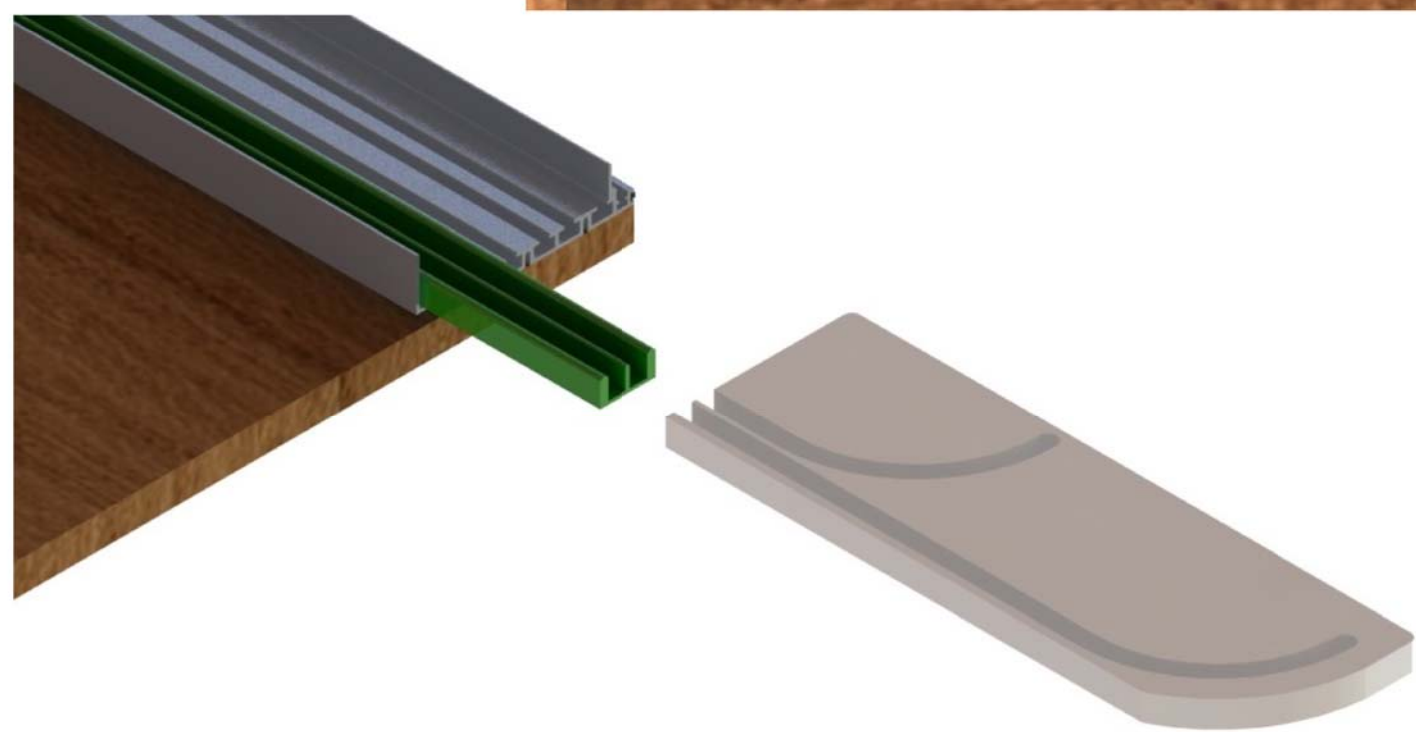
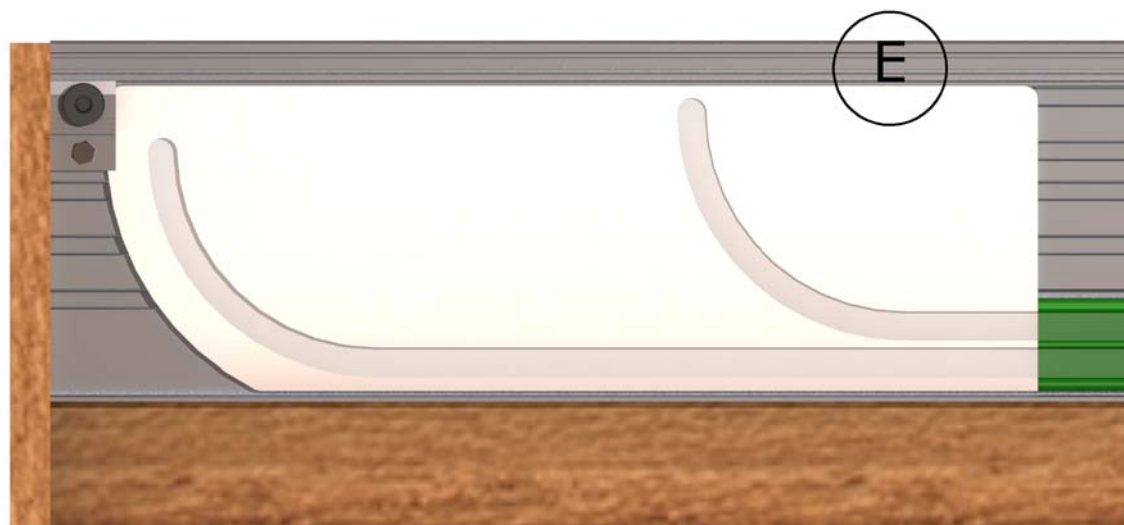
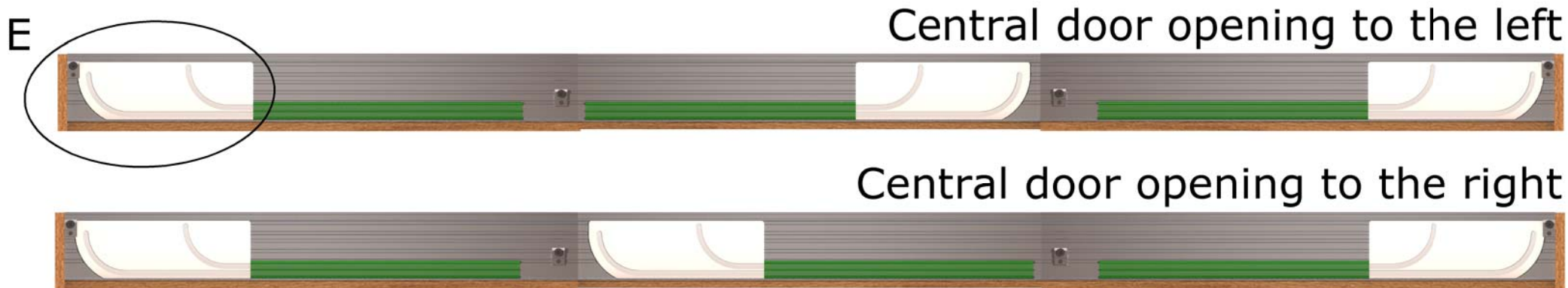
You need one foot for each side panel.

For curves distance and fixing please follow Step 13

NOTE: Before installing have in consideration how the door opens



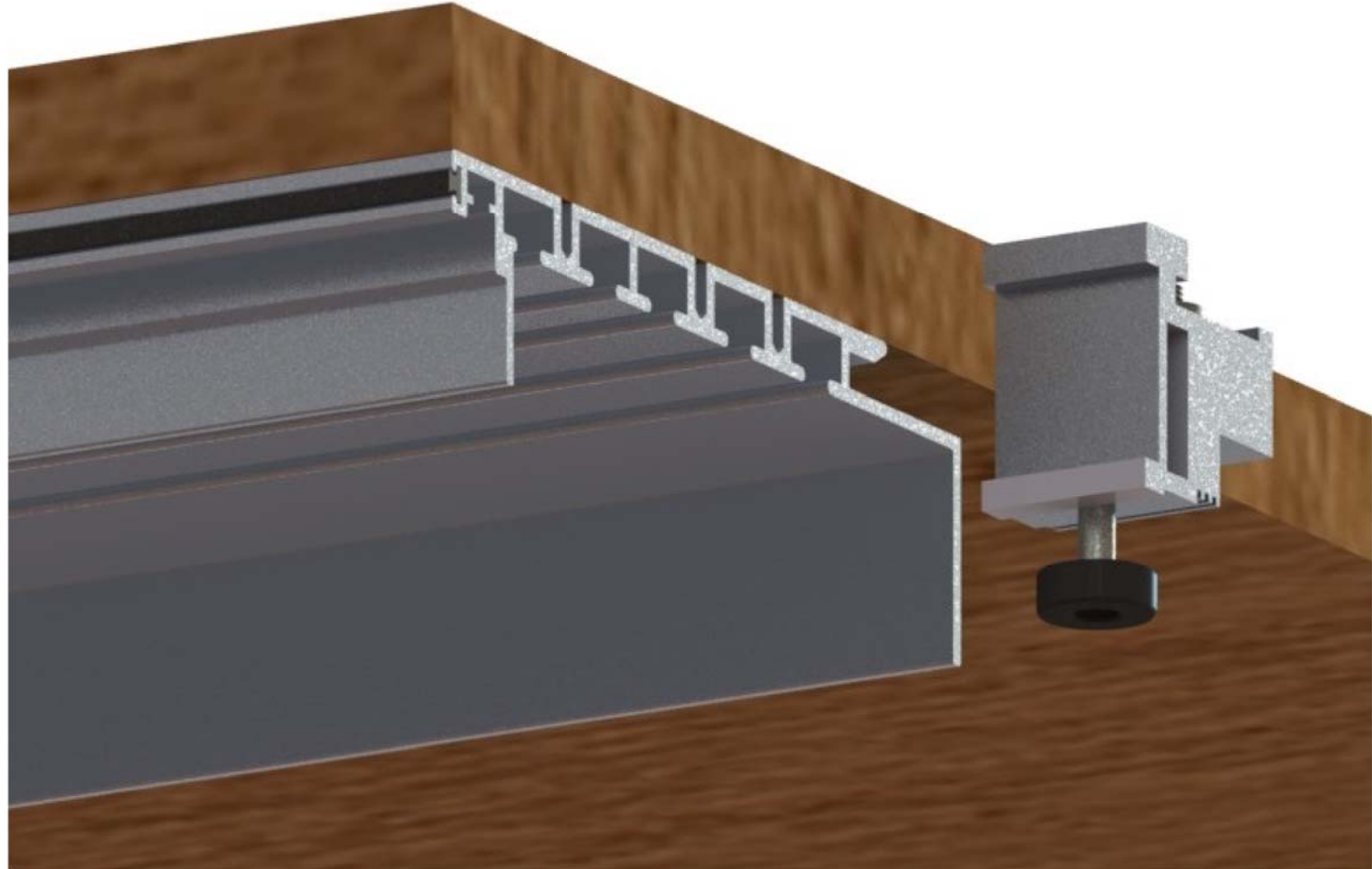
**Step 8** Mounting lower curves and lower feet



Slide the curves into track and butt them to the middle rail.

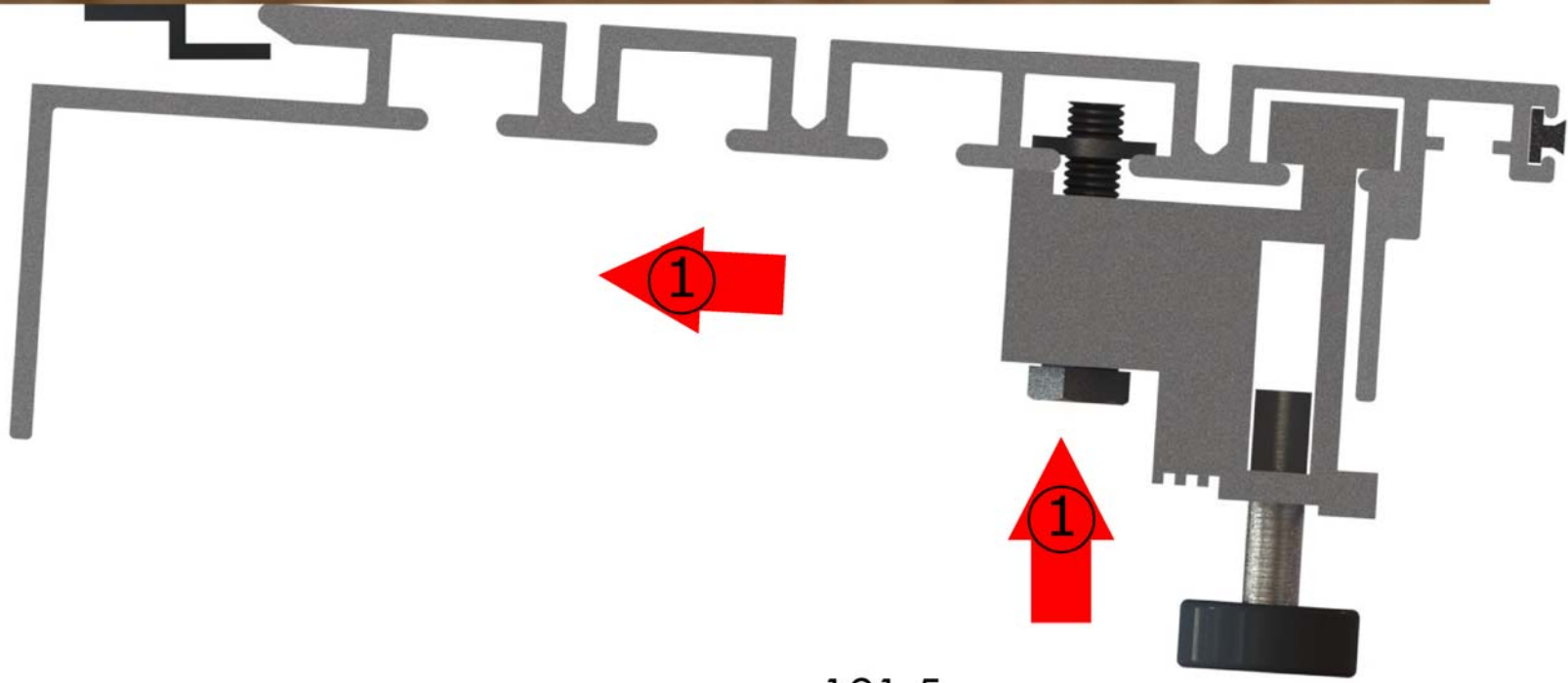
Right and left marked on the curves.

One foot for each side panel.

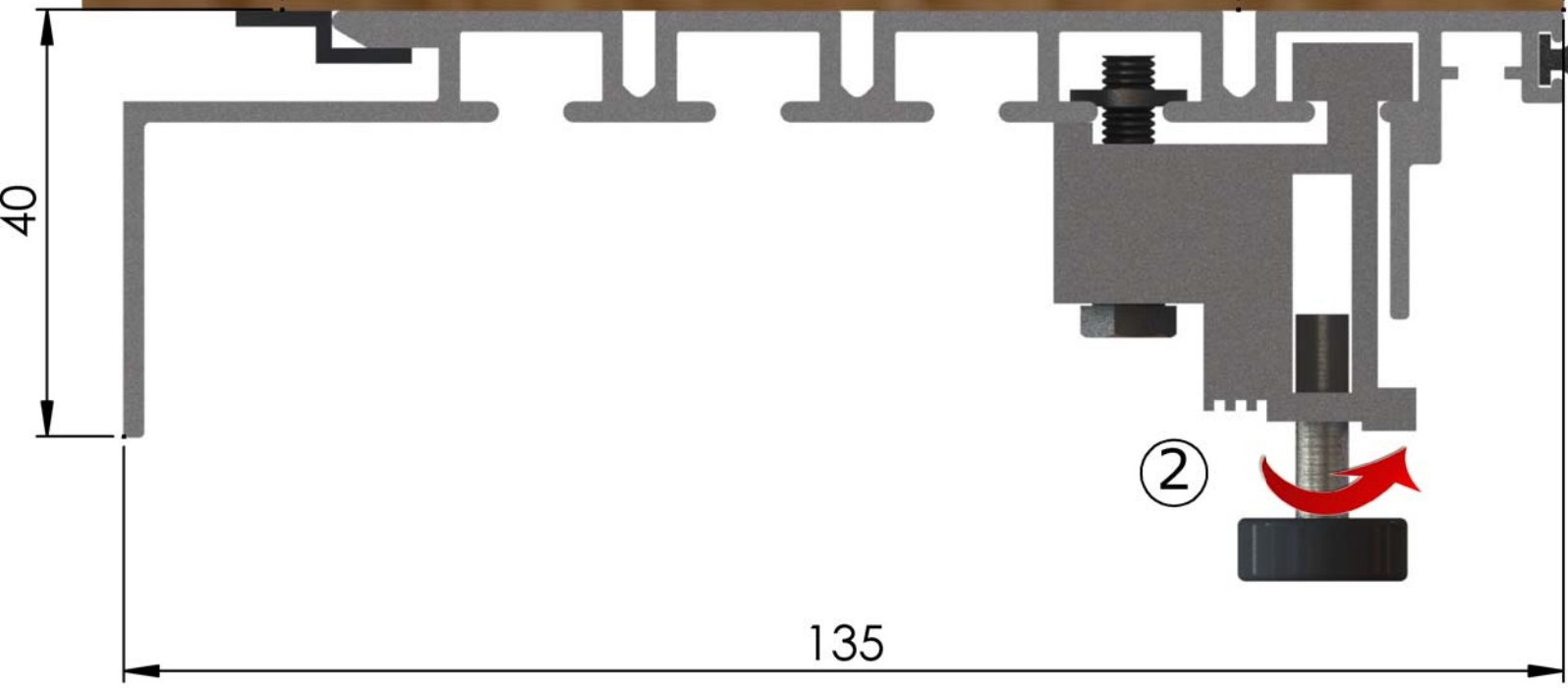
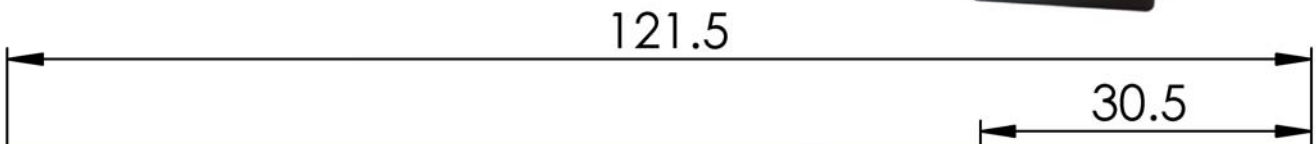


Follow door scheme from Step 13.  
NOTE: Before installing have in consideration how the door opens.

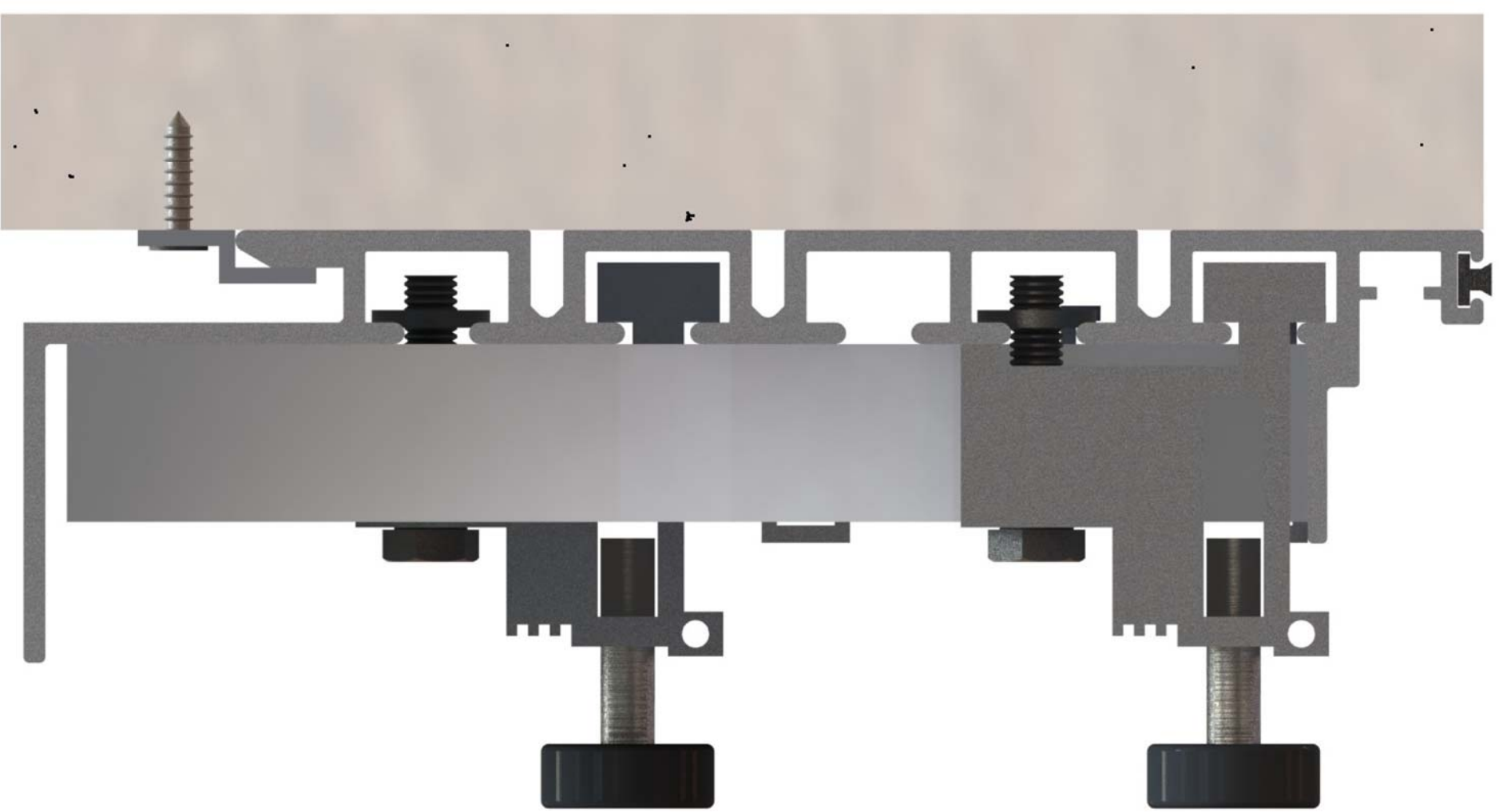
**Step 9** Lower rail mounting



1. Insert the back of track in the Z profile.

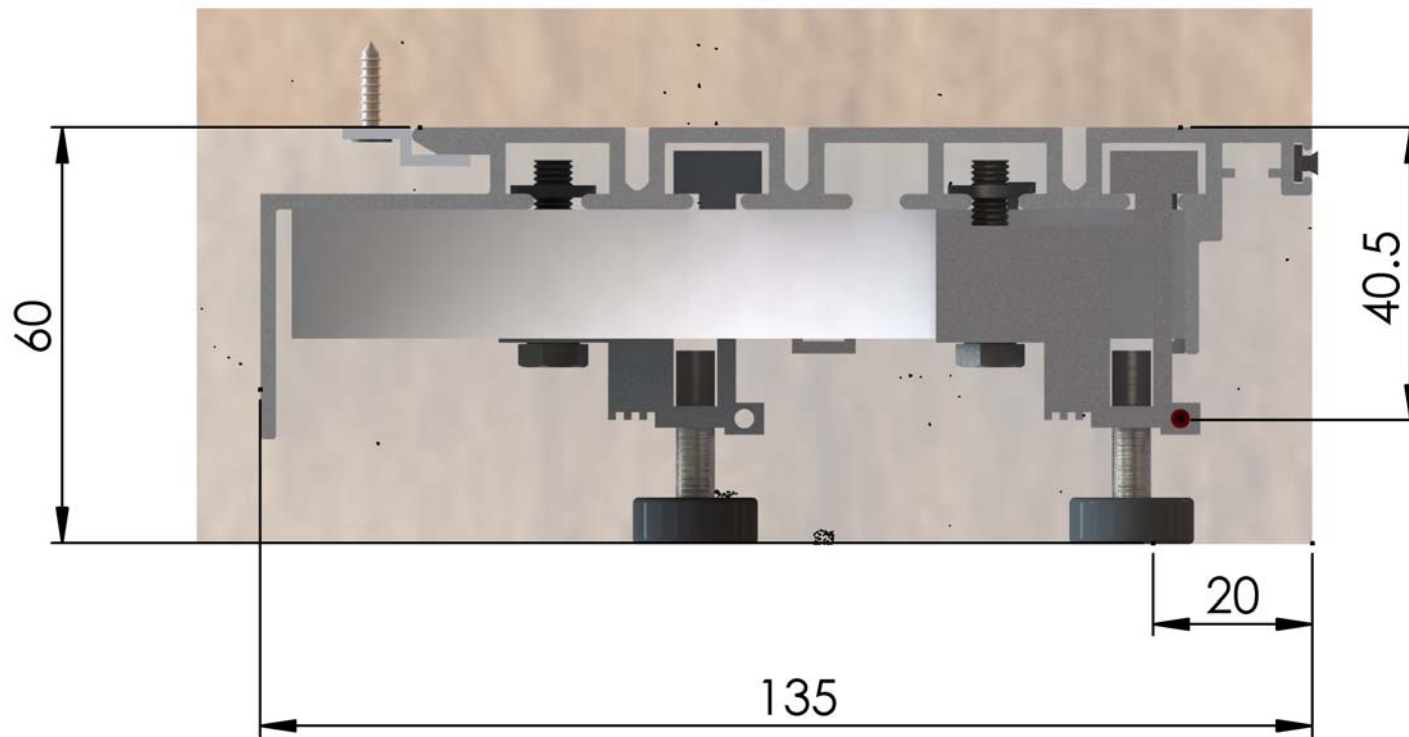
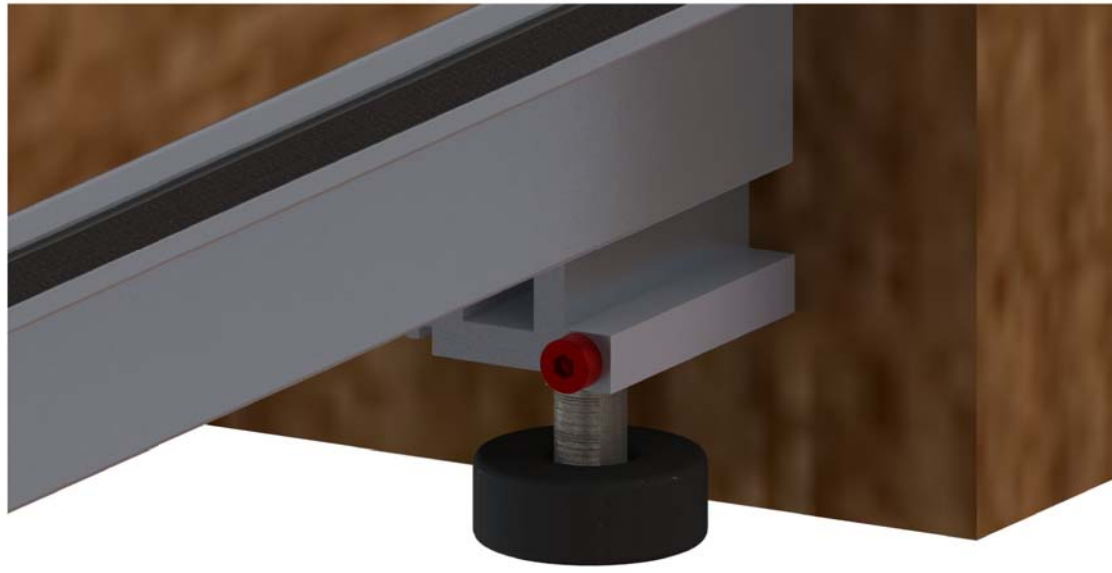


2. Adjust the height of the leg so that it touches the floor and keeps the wardrobe in a levelled position.



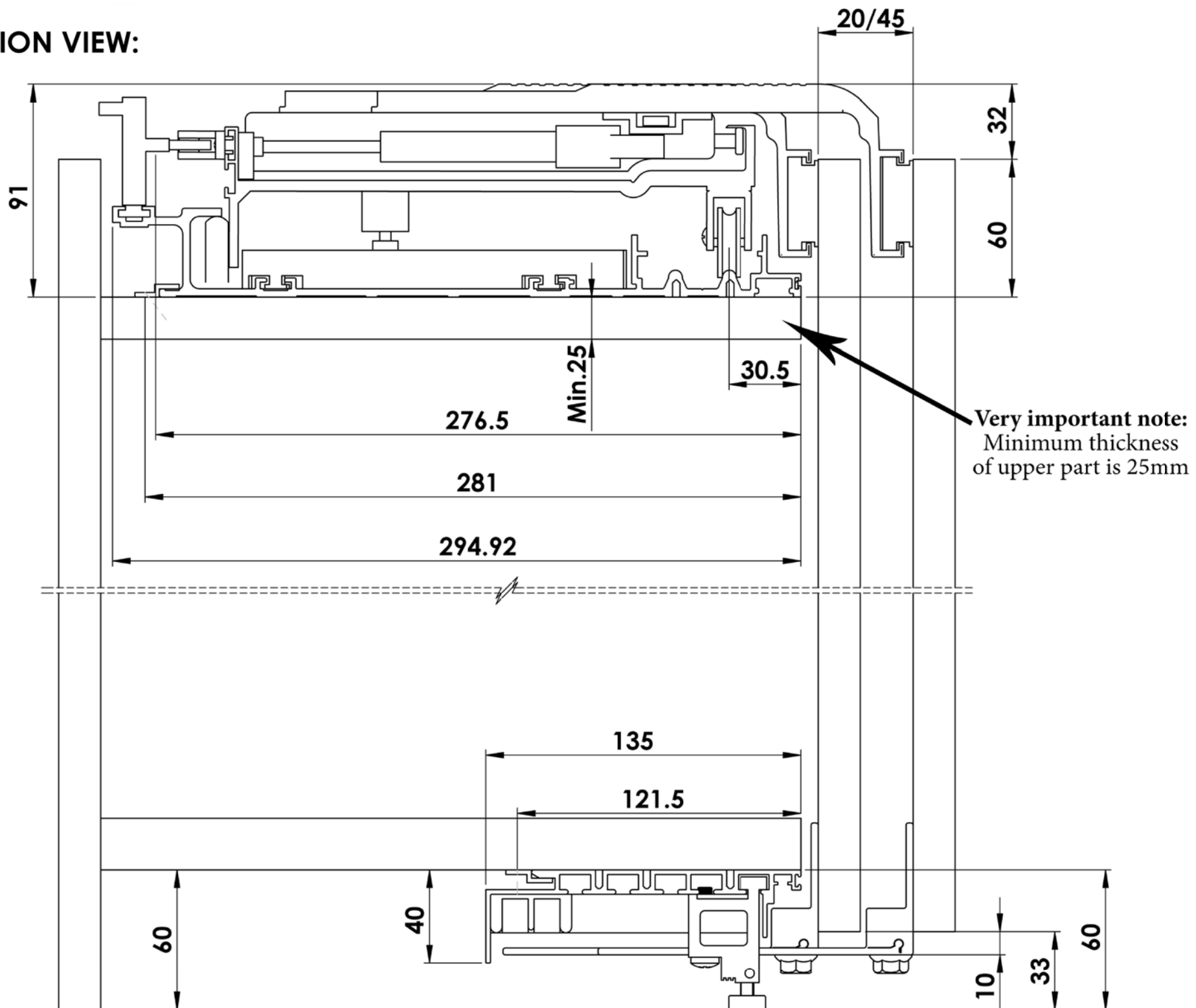


# Step 10 Lock the side feet



Butt the feet on the side of the wardrobe and fix them with screws.

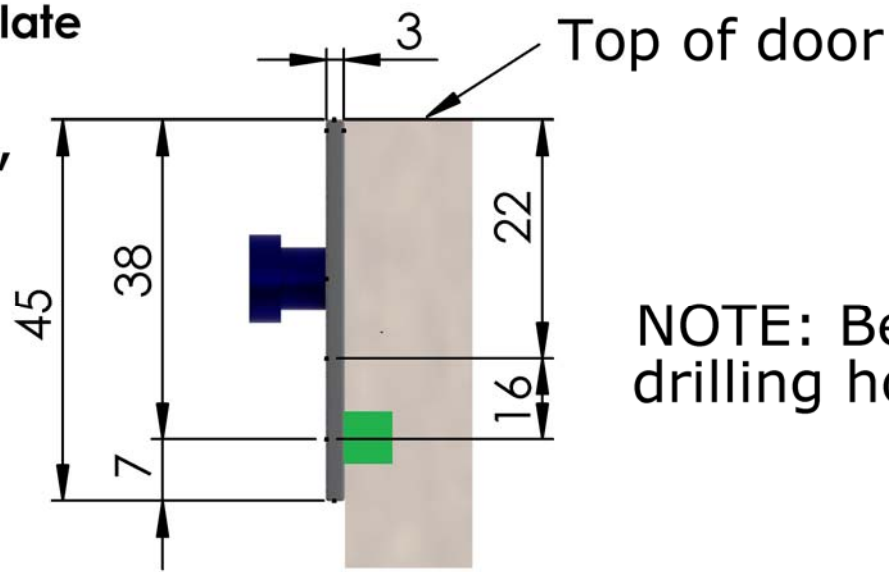
## SECTION VIEW:





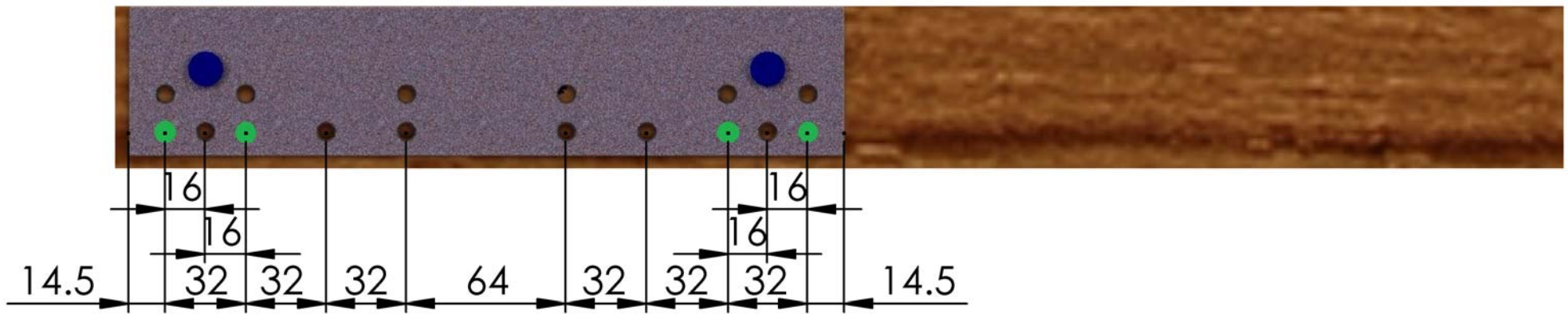
## Step 11 Door connecting plate

- - Dowel pin holes 8.2, depth 15mm
- - Screw holes
- - Door hook



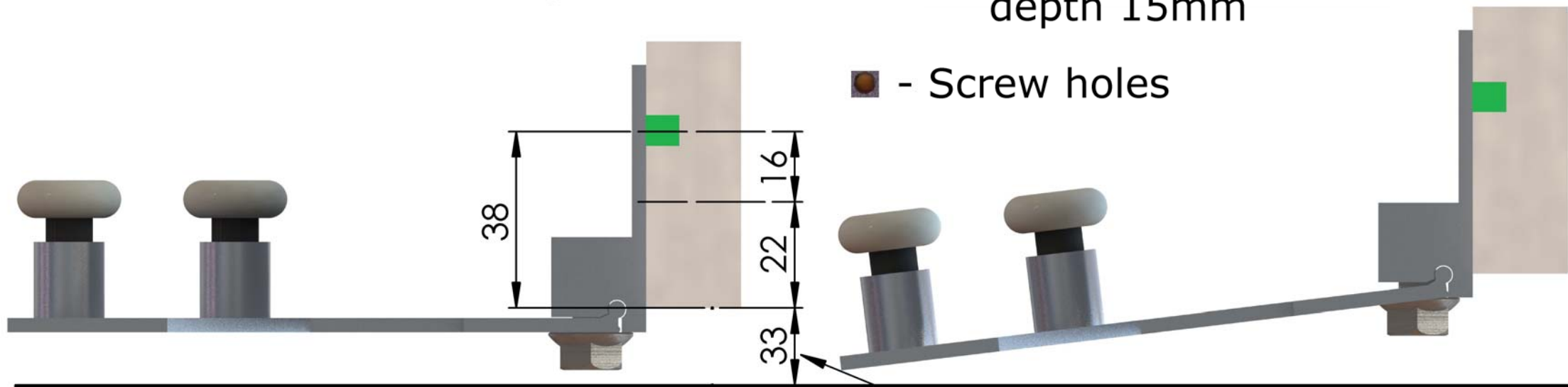
NOTE: Before marking and pre-drilling holes see Step 13 or 14.

Plate for 55 kg roller



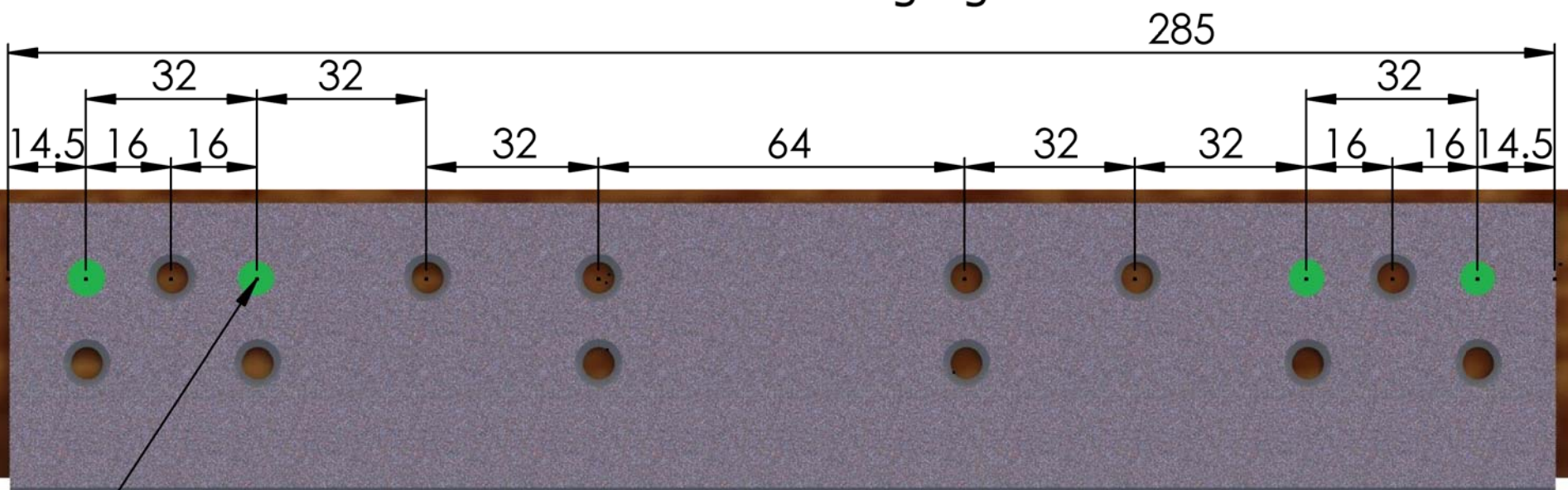
## Step 12 Lower guide connecting plate

- - Dowel pin holes 8.2, depth 15mm
- - Screw holes



After fixing the lower guide connecting plate insert the plate with rollers and secure it with screws but leave it hanging

Clearance between door bottom and floor is 33mm

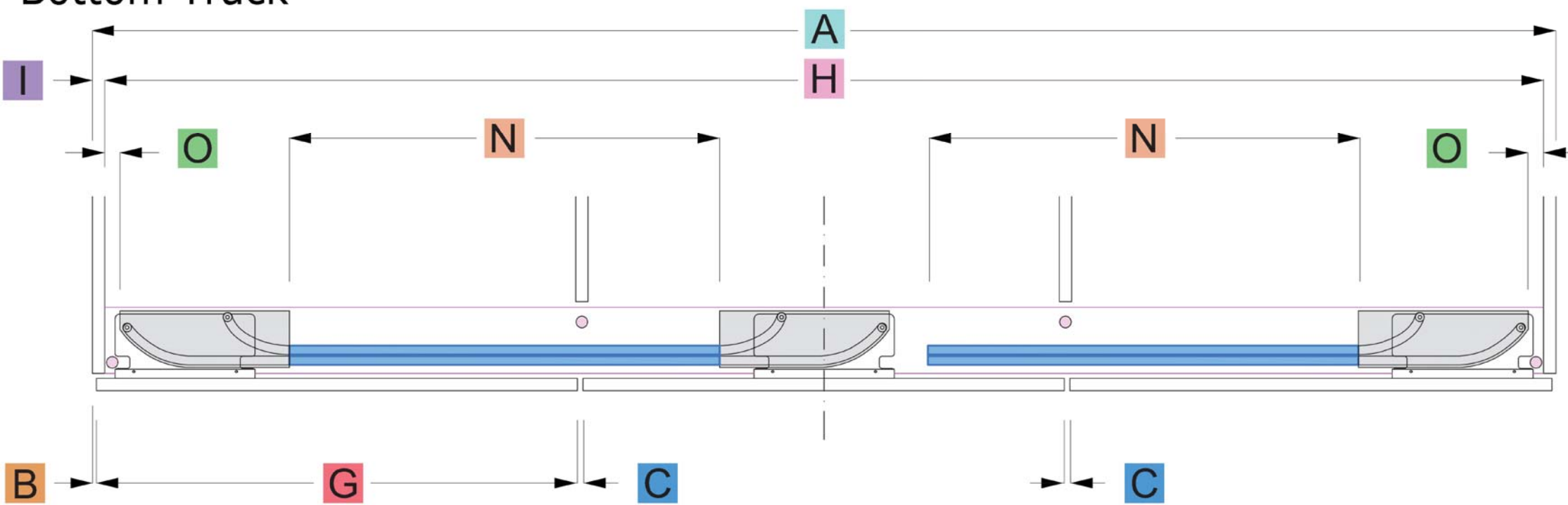


4 x  $\phi$ 8.2 Dowel Holes 15mm deep

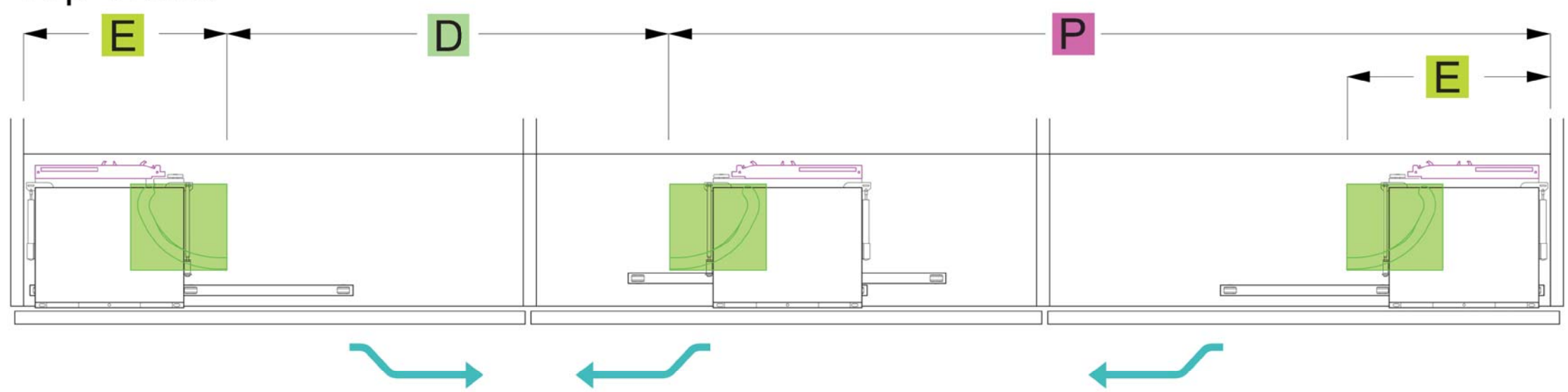


# Step 13 Flushslide 3 doors preparation (55kg rollers)

## Bottom Track

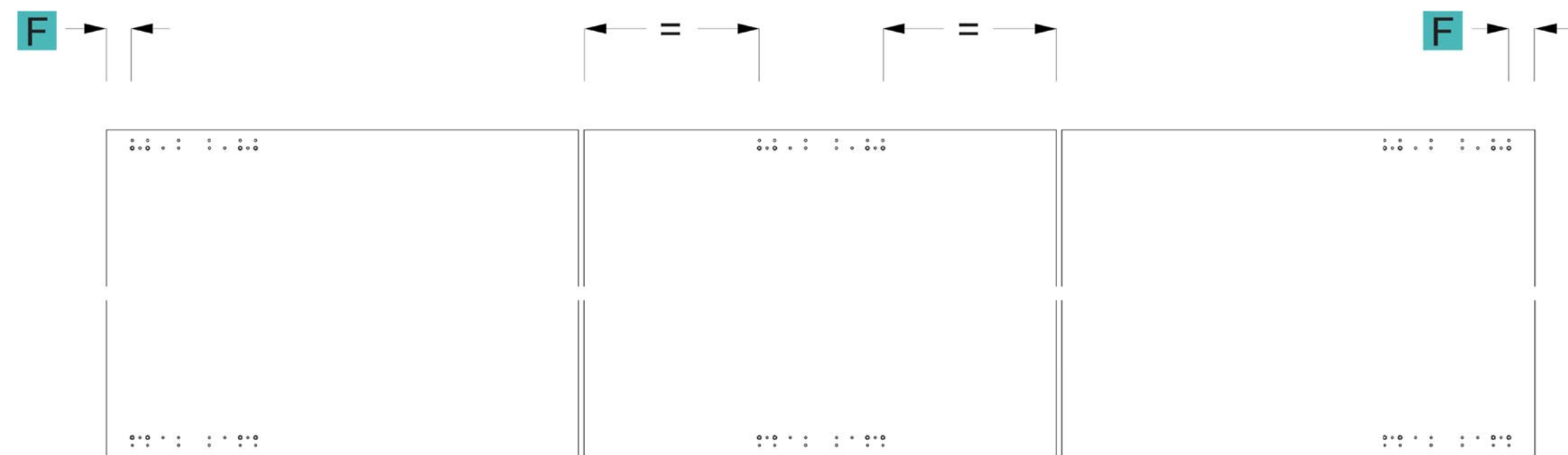


## Top Track



## Doors

**F** = centre of the first hole



**A** = total width

**C** = doors range

**H** = track length

**H** =  $A - (2 \cdot I) - 2 \text{ mm}$

**D** = upper curves range

**D** =  $H - (P + 389 \text{ mm})$

**E** = 389 mm

**O** = 26,5 mm

$$P = \frac{H}{2} + 225,5 \text{ mm}$$

$$N = D + 35 \text{ mm}$$

**G** = door width

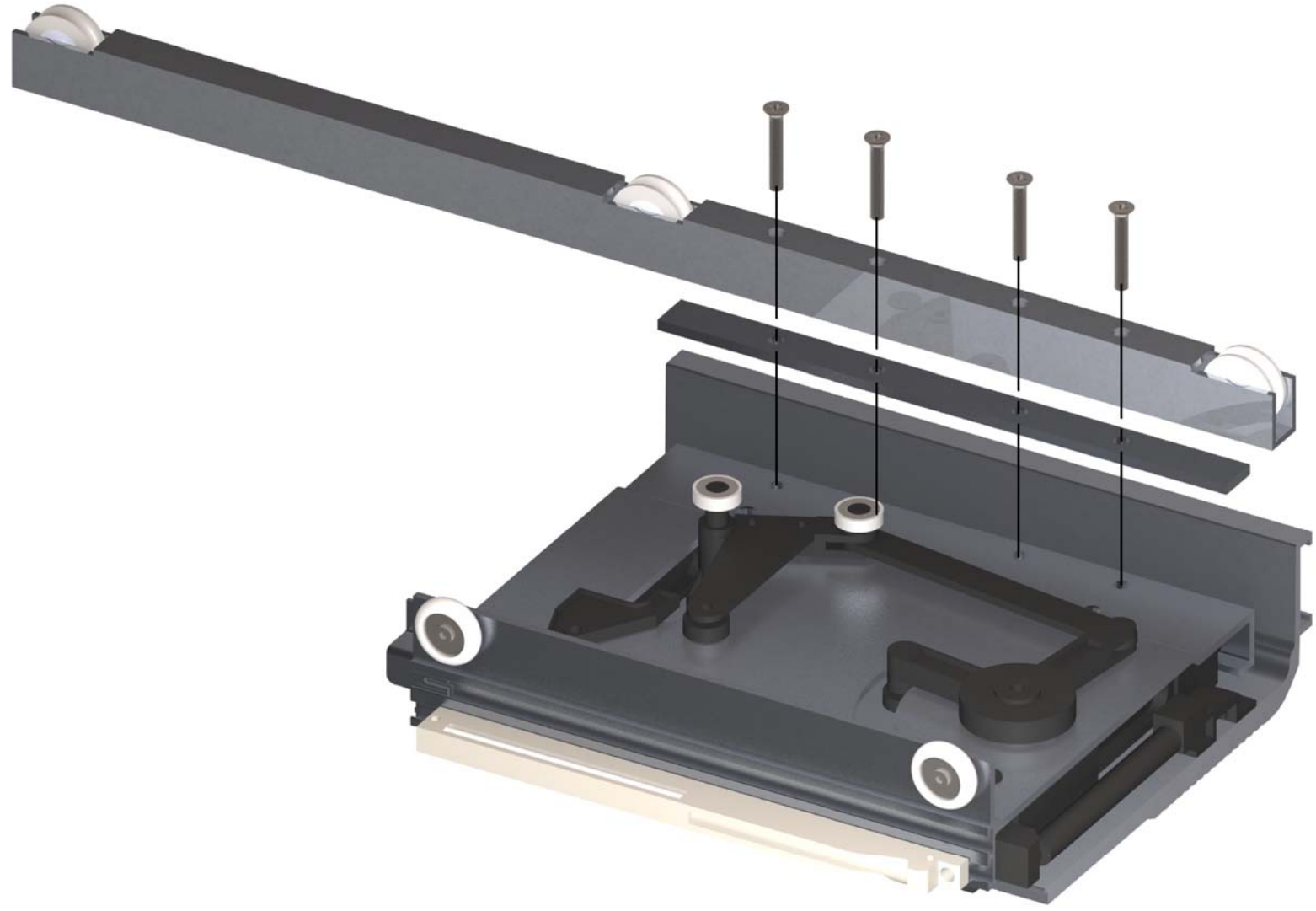
$$G = \frac{A - (2 \cdot B + 2 \cdot C)}{3}$$

$$F = (I + 390) - (B + 353,5 \text{ mm})$$



# Step 14

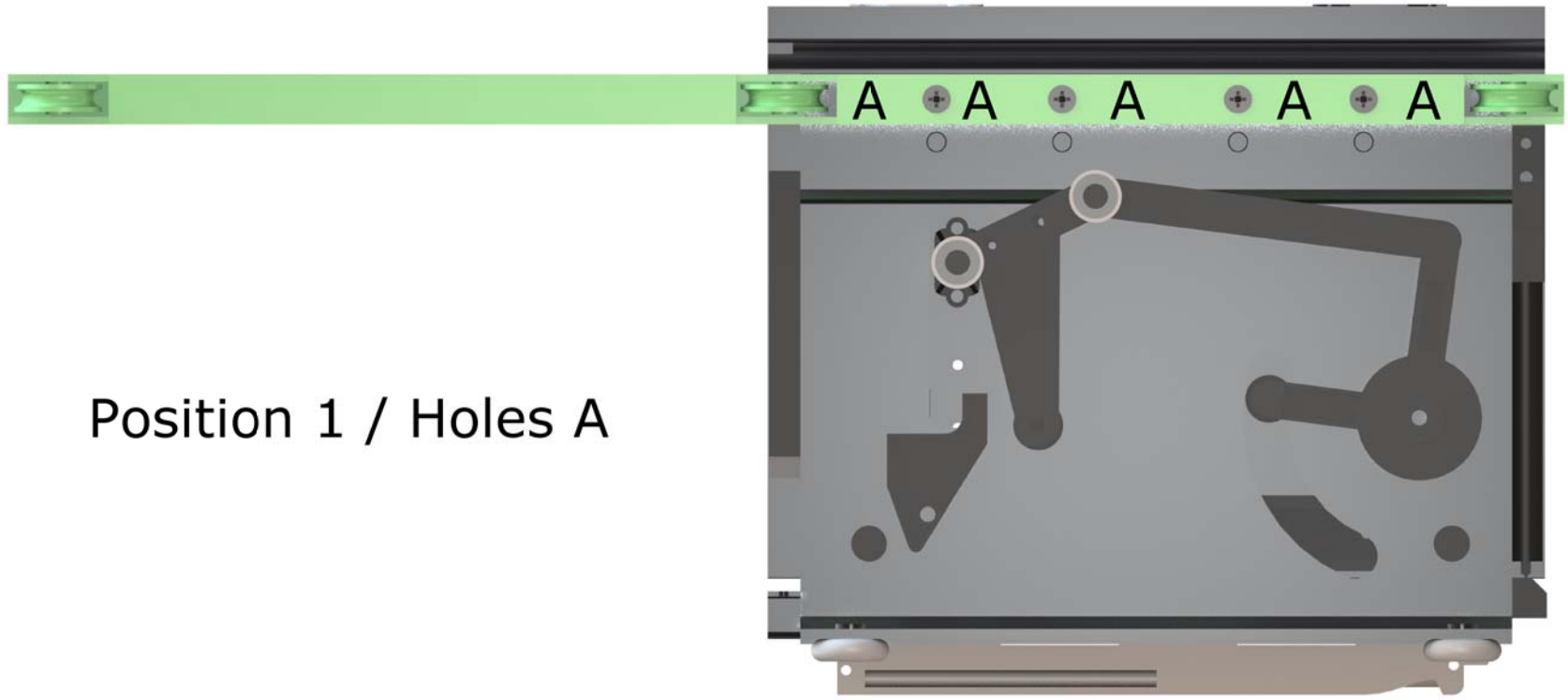
Wheel housing placement on RIGHT upper roller



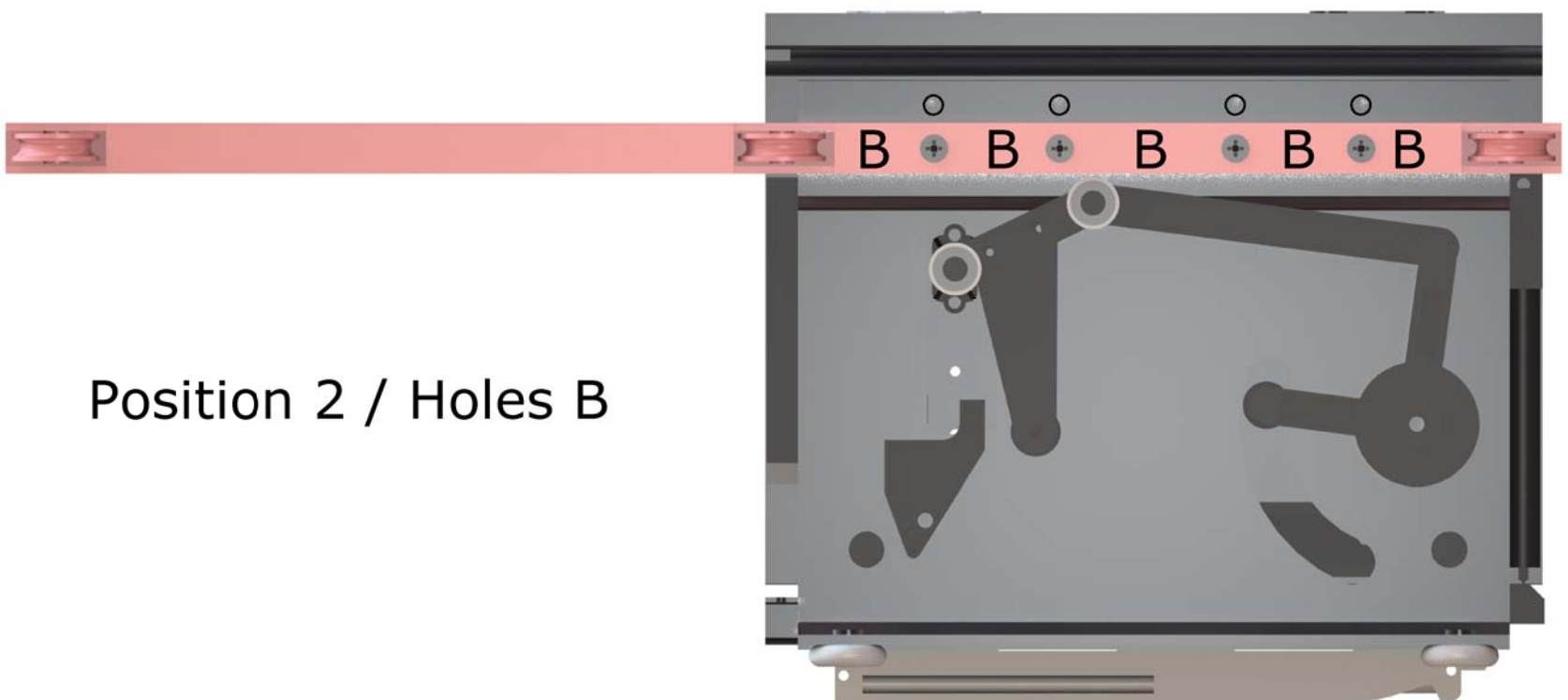
Roller Mechanism with wheel housing facing up

### NOTE:

Before mounting the right roller the housing has to be changed from position 2 / holes B to position 1 / holes A



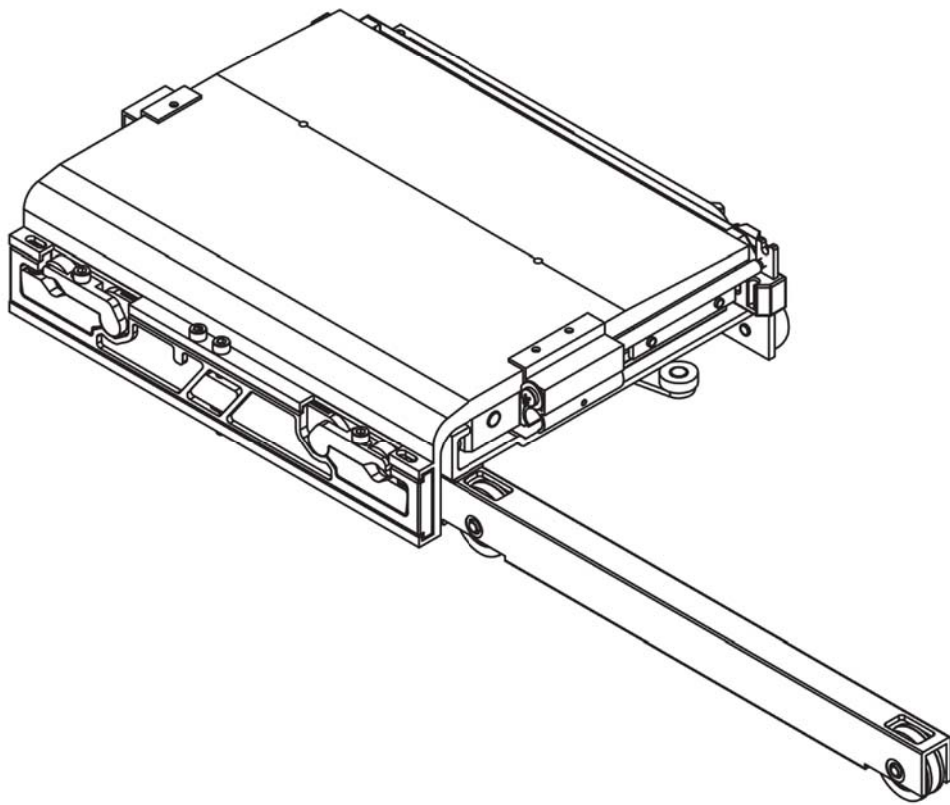
Position 1 / Holes A



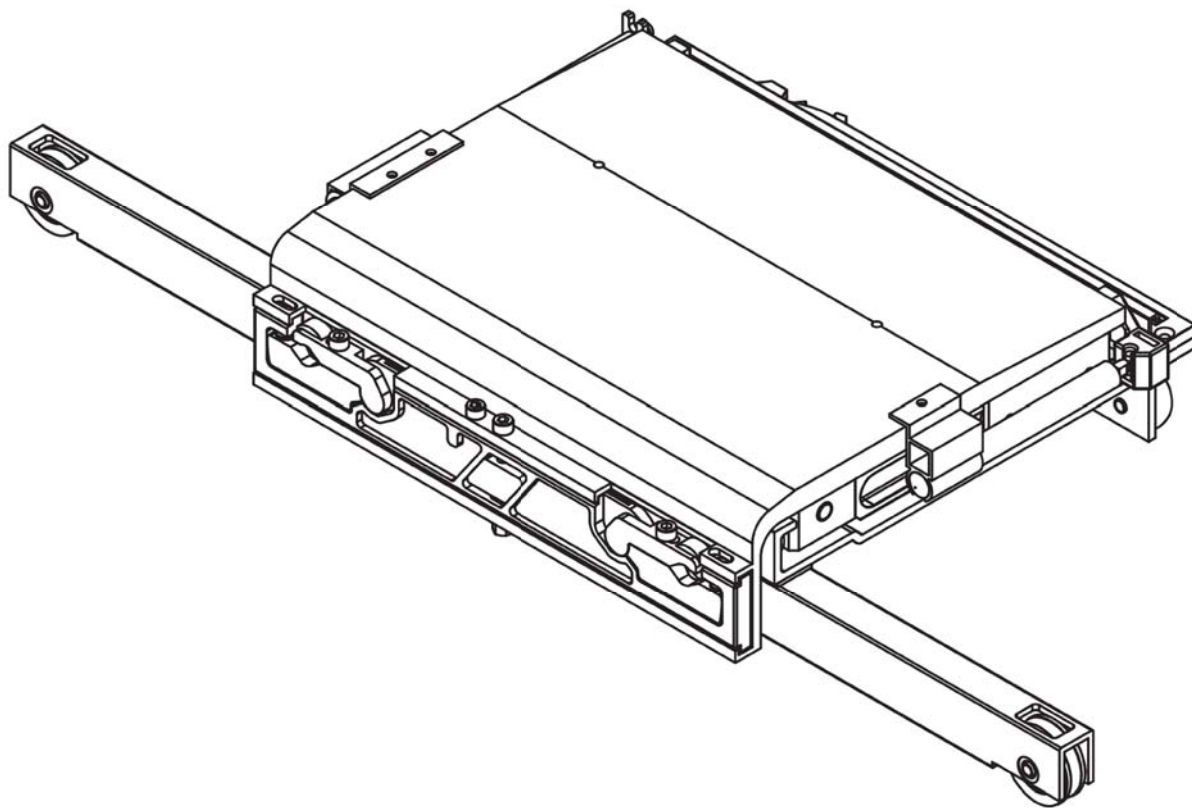
Position 2 / Holes B



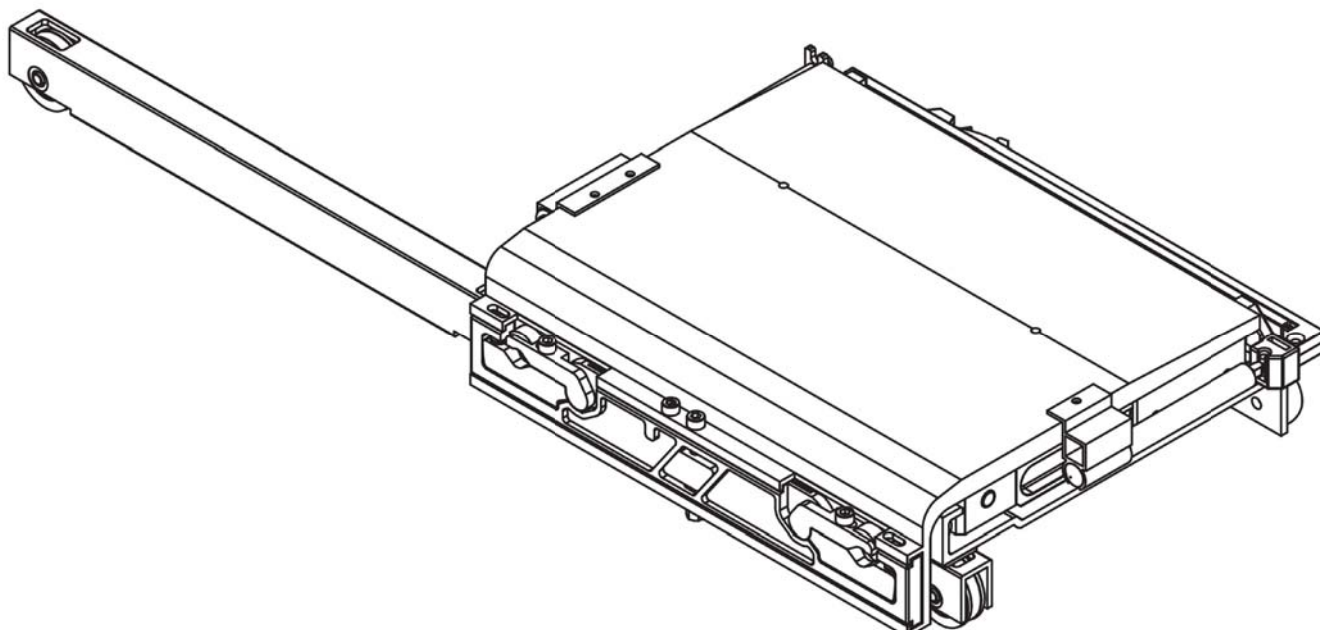
*3 doors configuration with 55kg*



Left mechanism  
Wheel housing ready  
in Position 1 / Holes A



Central mechanism  
Wheel housing  
ready in Position 2 / Holes B



Right mechanism  
Wheel housing should be  
moved to Position 1 / Holes A

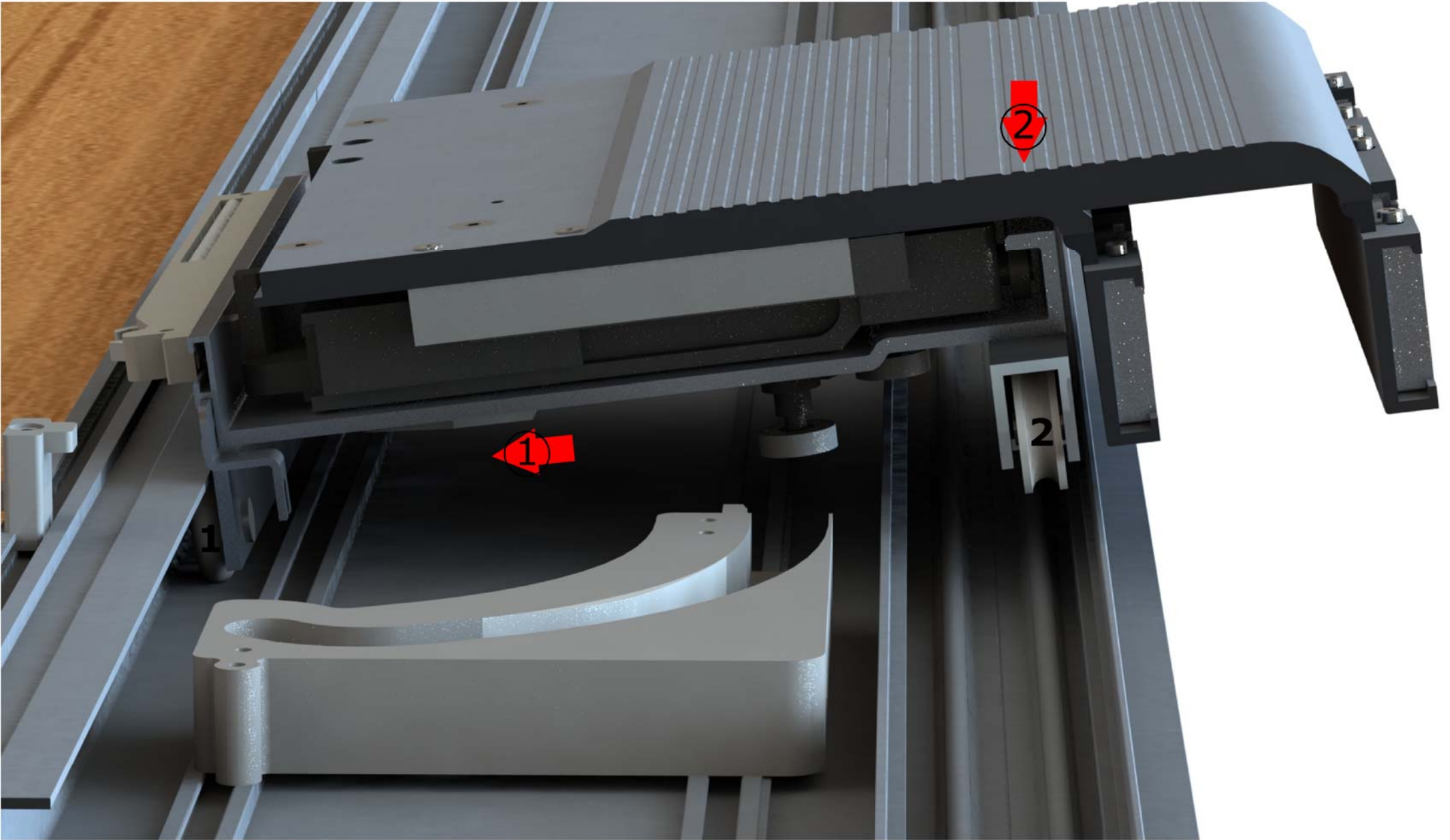


**Step 16** Mounting rollers

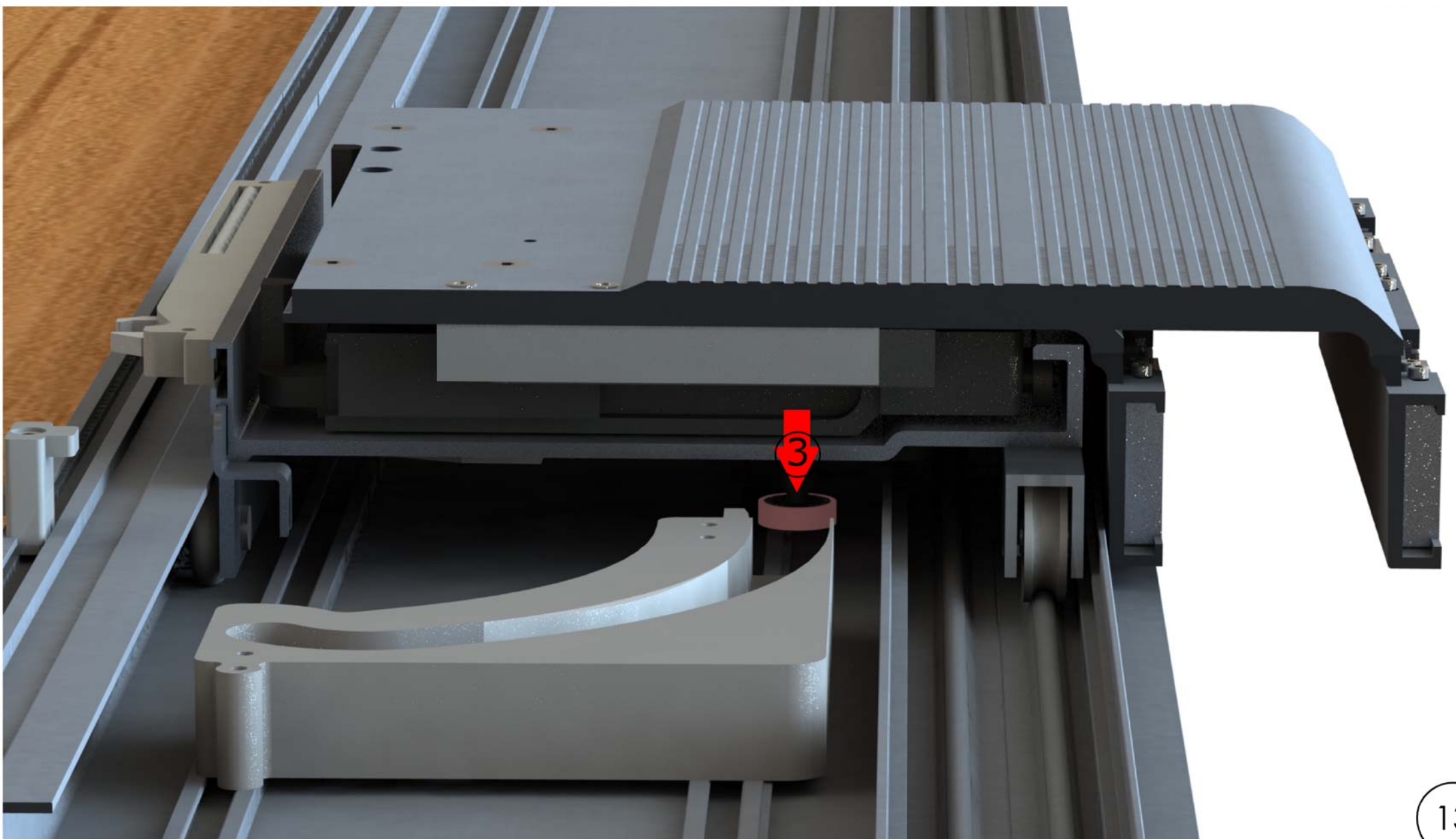
NOTE: the rollers MUST be in opened position

1- Push and slide, at an angle, the roller wheel (1) into the track opening

2- Then place the second wheel (2) on the track

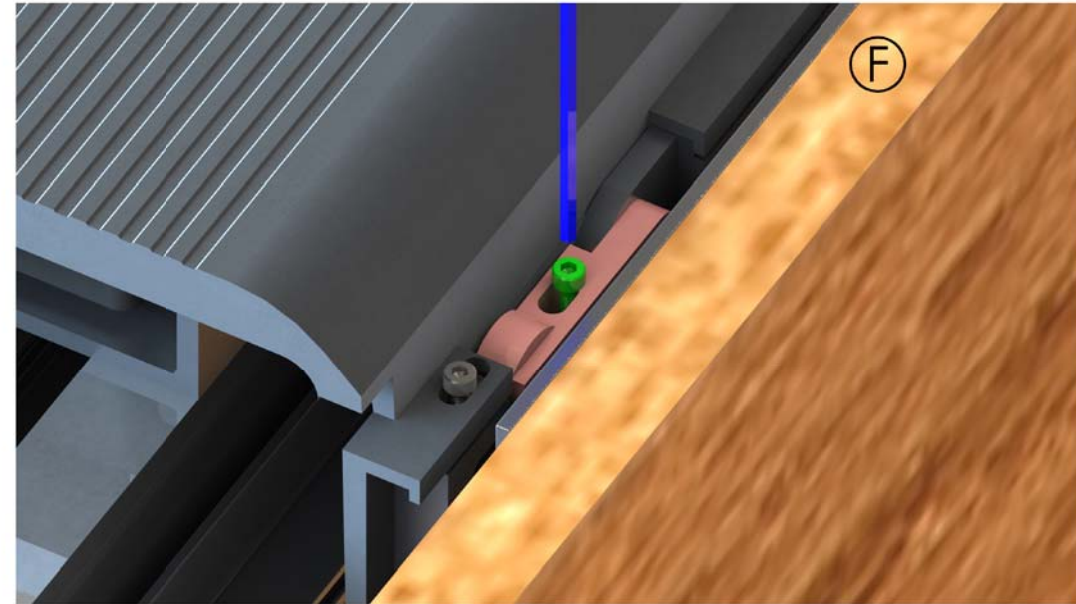
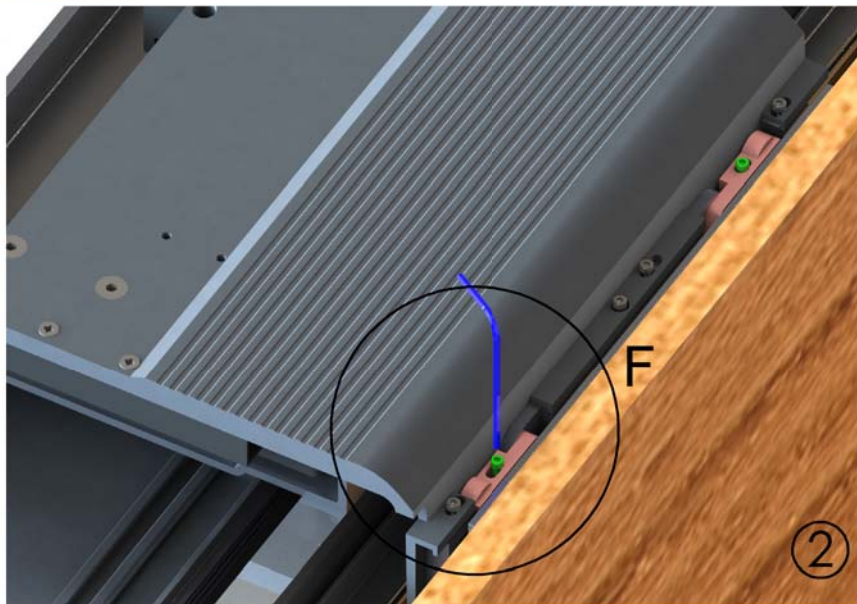
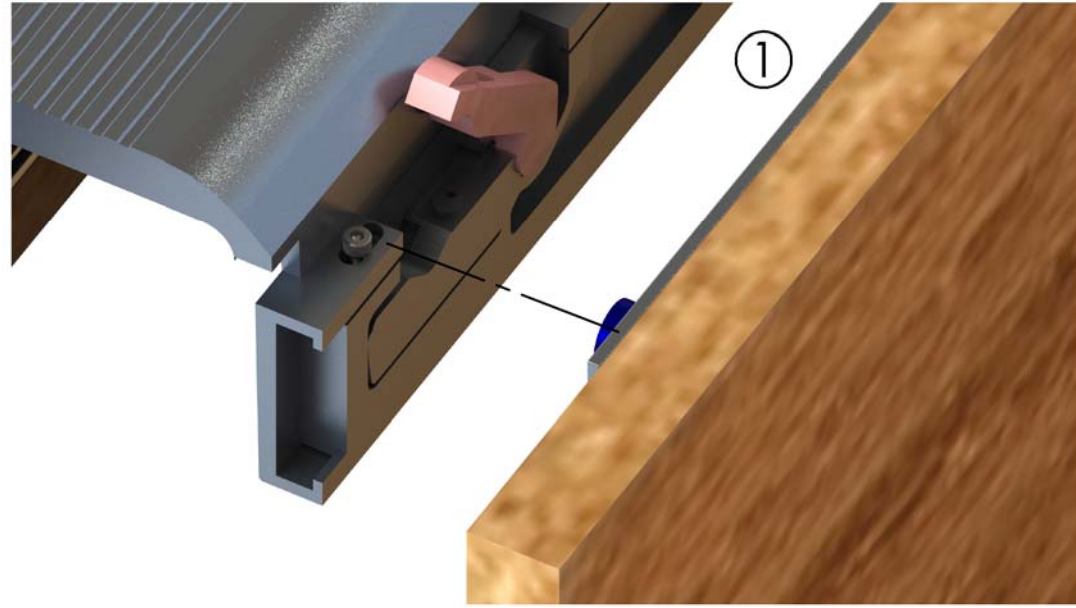
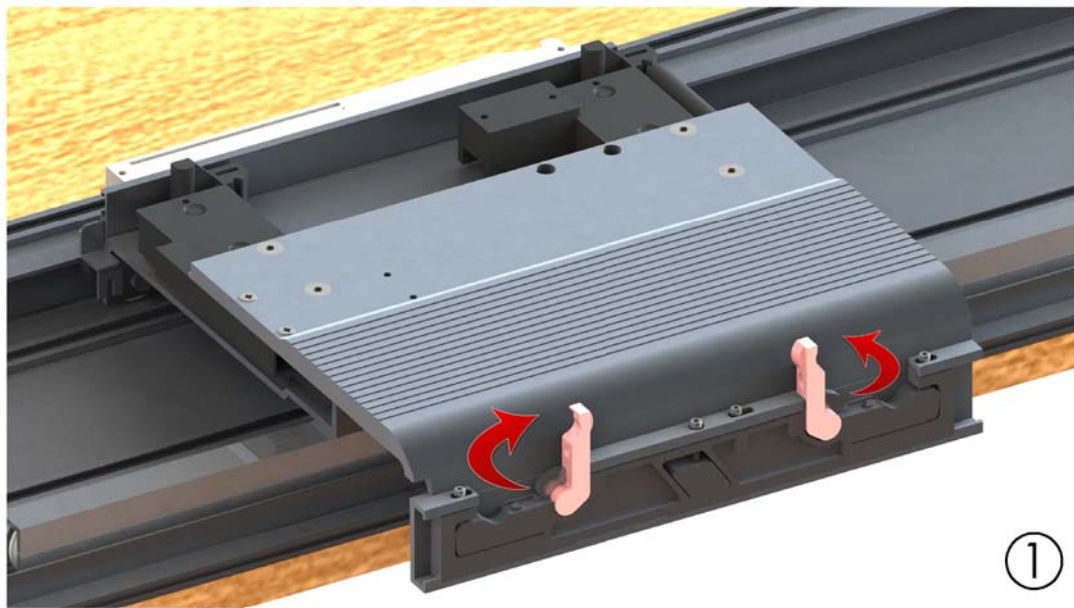


3 - The guiding roller must slide into the curve





## Step 17 Mounting doors



1. Open the flaps and insert the door plate pins in place.

2. Close the flaps and secure it with screws.

## Step 18 Door adjustment

Use the screws on top of the hanger to adjust the height and level of the door

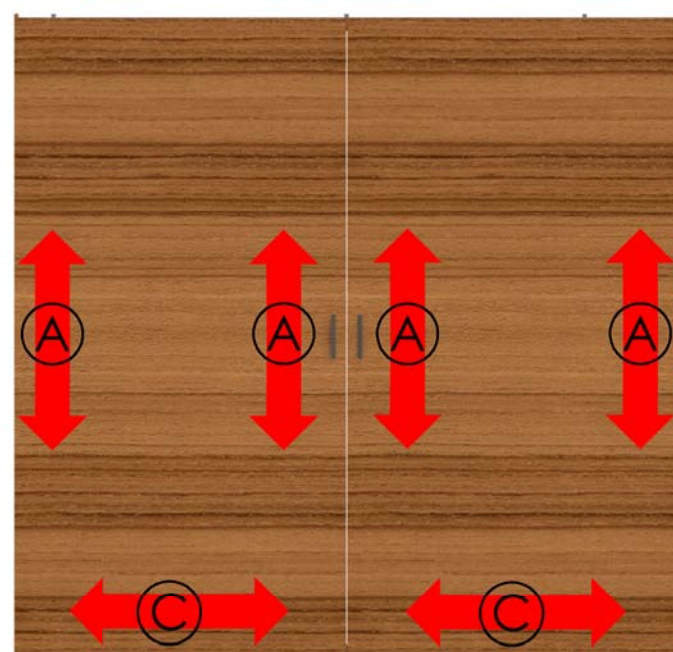
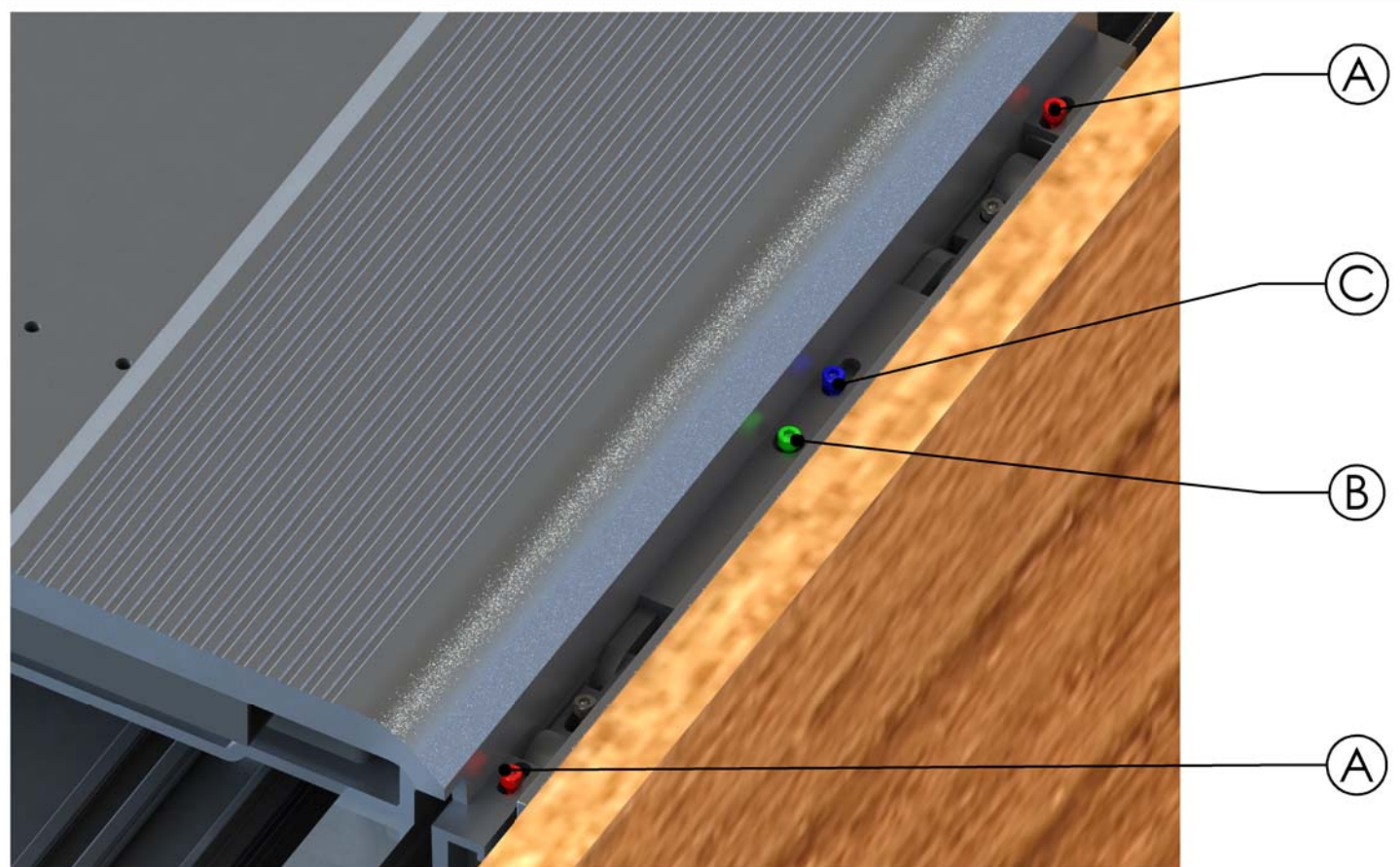
NOTE: The lower guide must be loose, the door must be closed.

A - Vertical adjustment

B - Lock screw

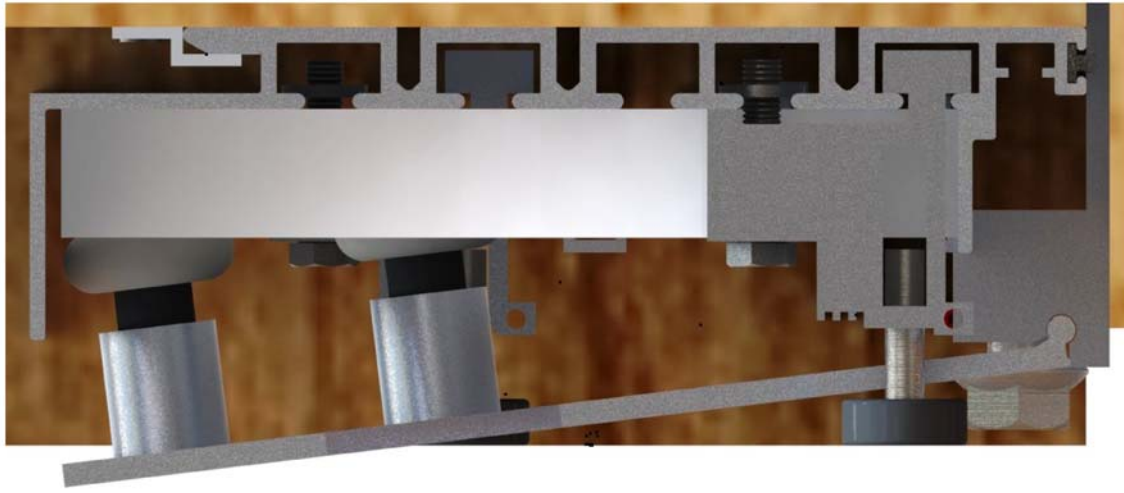
C - Horizontal adjustment

Start by unlocking screw B adjust screws A and C. After proper adjustment has been made **LOCK** screw B



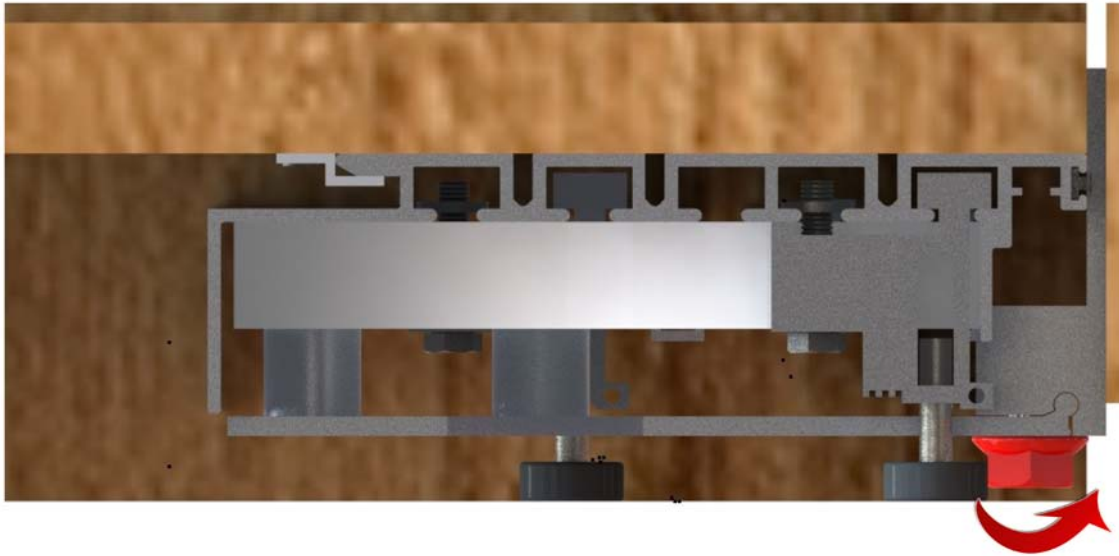


## **Step 19** Inserting lower guide



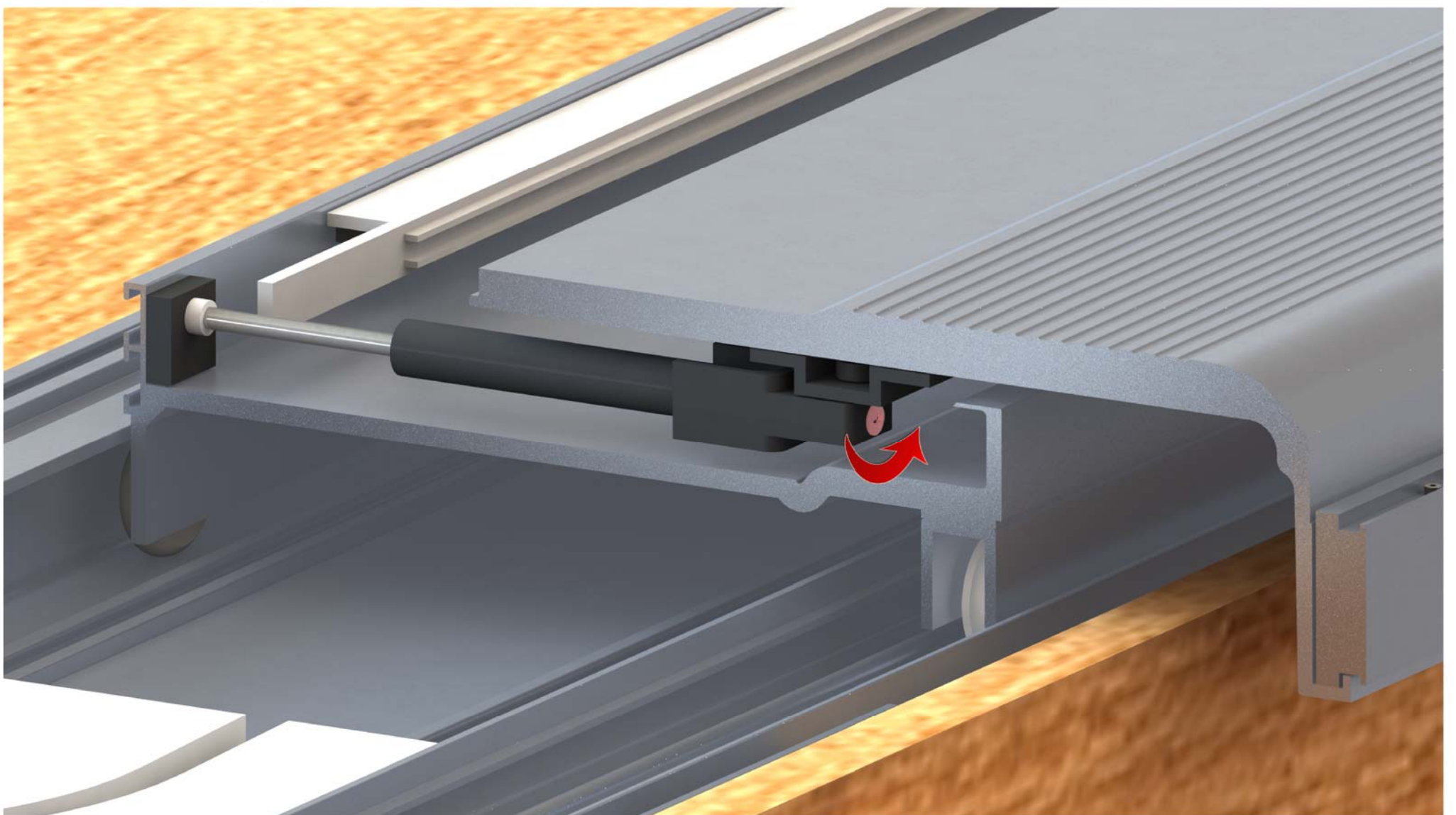
The door must be closed.

Raise the guiding roller plate into track



Secure the plate by tightening the screw.

## **Step 20** Force adjustment



To adjust the force required to open or close the door adjust the screw located on top of the piston.



# FLUSHSLIDE 3 DOOR SYSTEM



Coburn Sliding Systems Limited

Unit 1, Cardinal West, Cardinal Way,

Godmanchester, PE29 2XN, United Kingdom

Phone: +44 (0)20 8545 6680

Fax: +44 (0)20 8545 6720

E-mail: [sales@coburn.co.uk](mailto:sales@coburn.co.uk)

[www.coburn.co.uk](http://www.coburn.co.uk)