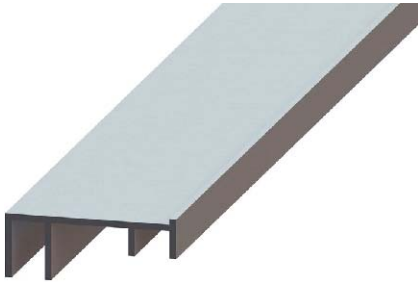


FITTING INSTRUCTIONS FOR ECLAT 80 - 3 DOOR SYSTEM

COMPONENTS



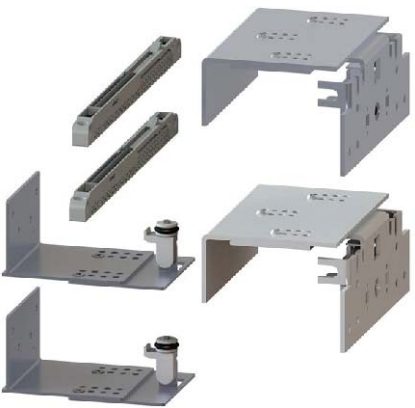
85120/30/40 - Eclat 80, top track, anodized



85220/30/40 - Eclat 80, bottom track, anodized



85332 - Eclat 80, fittings pack for 2 inner door c/w soft opening and closing dampers



85333 - Eclat 80, fittings pack for 1 outer door c/w soft opening and closing dampers

ECLAT 80 SPECIFICATIONS

Maximum Door Weight
80kg

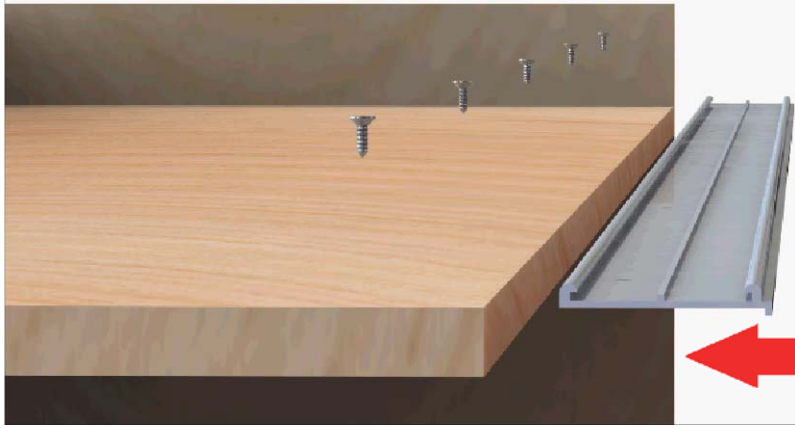
Maximum Door Height
2500mm

Minimum Door
Clearance
b/w door leaves
8mm

Door Thickness
20 - 50mm

Maximum Door Width
1500mm

Step 1 Mounting top track



Go on top of the wardrobe and fix the top track

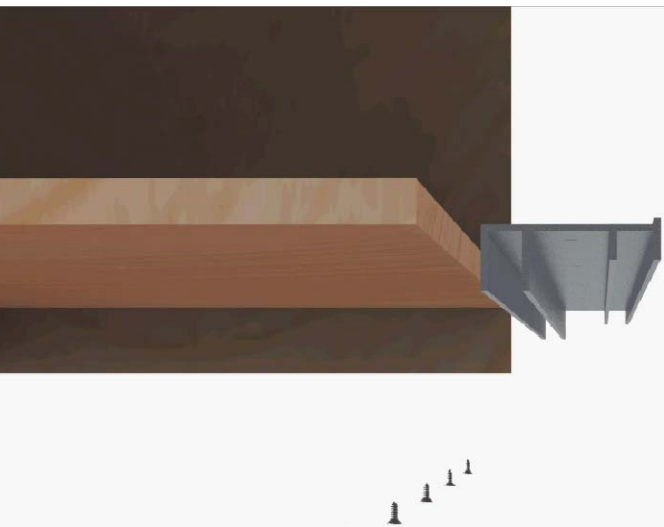
Use screws to fix track on wardrobe



Outer Rail

Inner Rail

Step 2 Mounting bottom track



Go to the bottom of the wardrobe and fix the bottom track

Use screws to fix track on wardrobe

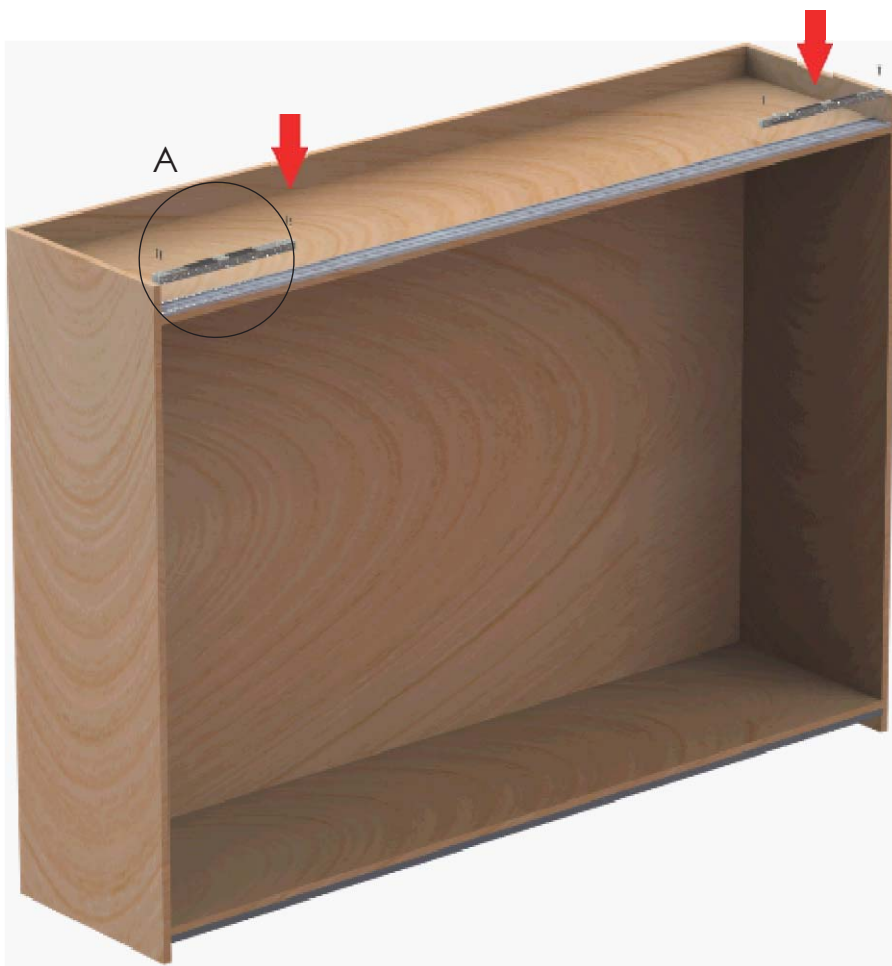


Outer channel

Inner channel

Step 3 Mounting soft closers

NOTE: See Page 11, Dampers arrangement



Fix the dampers on each side of the wardrobe.

Make sure they are in opened position (the spring of the damper is loaded)

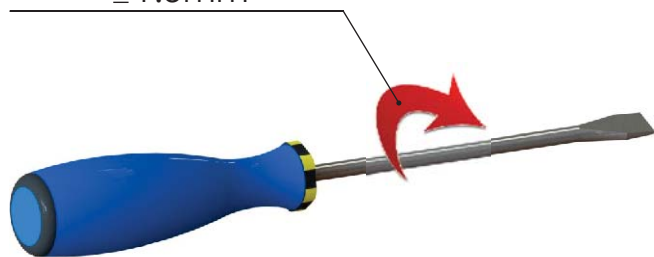
If the centre door opens to the left fix 2 dampers on the left side and 1 on the right side positioned closer to the outer rail

If the centre door opens to the right fix 2 dampers on the right side and 1 on the left side positioned closer to the outer rail

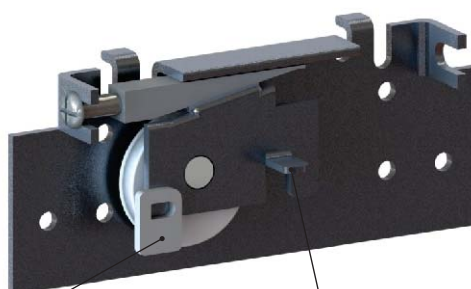
Step 4 Inner & outer door rollers

NOTE: On the inner doors there will be only one roller with damper activator. On the outer door both rollers will have an activator

Vertical adjustment
 $\pm 1.5\text{mm}$



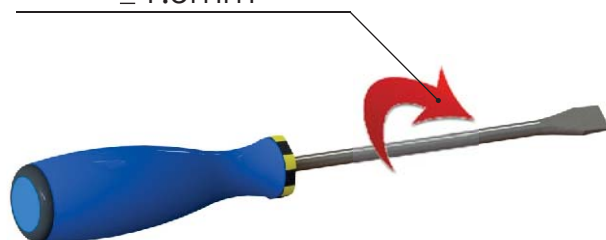
Anti-derailment device



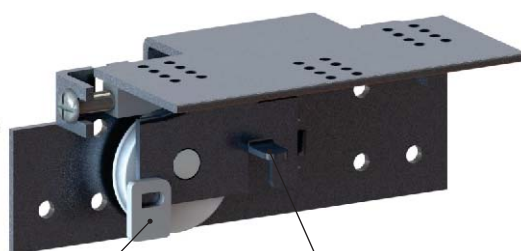
Upper roller for inner door

Soft closer activator

Vertical adjustment
 $\pm 1.5\text{mm}$



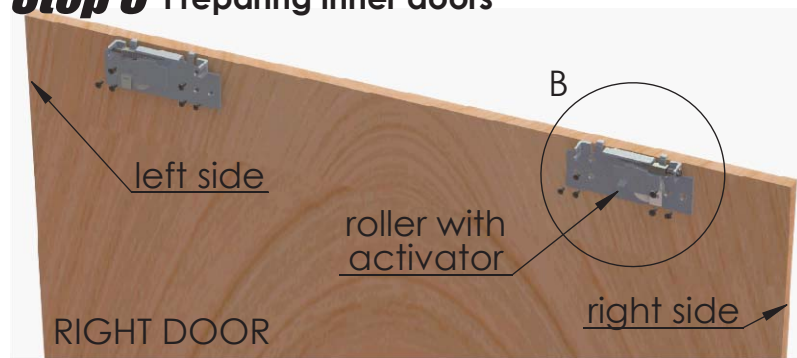
Anti-derailment device



Upper roller for outer door

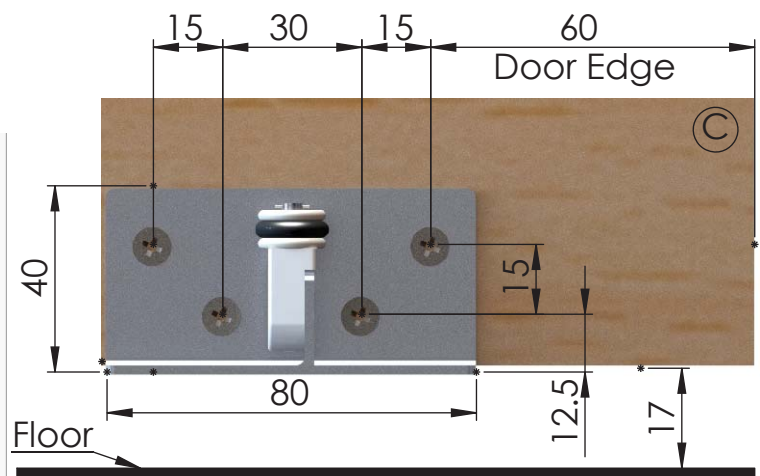
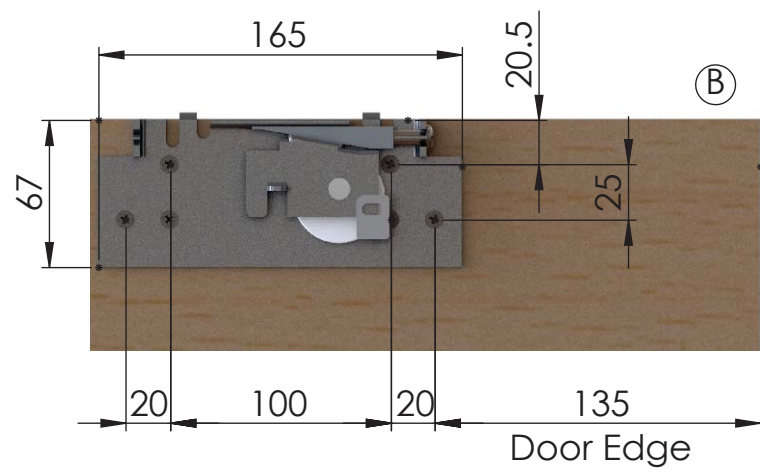
Soft closer activator

Step 5 Preparing inner doors



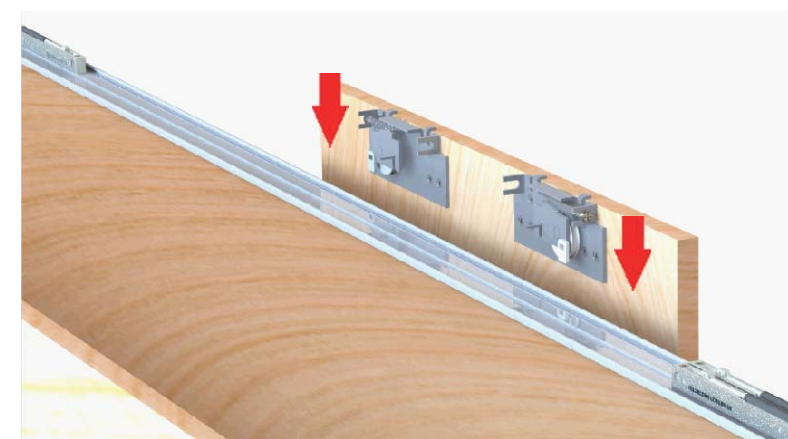
Go on top of the inner door and fix the left and right rollers. On each of the inner doors mount the roller with activator on the closing side

Go to the bottom of the inner door and fix the left and right lower guides



Step 6 Mounting the left inner door - Top

Place the left inner door in central position and place the roller on the top track outer rail



Step 7 Mounting the left inner door - Bottom



Once the top rollers are in position on the top track, push the lower guides in the bottom track outer channel until you hear a 'CLICK' sound

To unfasten the door, hold it from the bottom of the door and pull

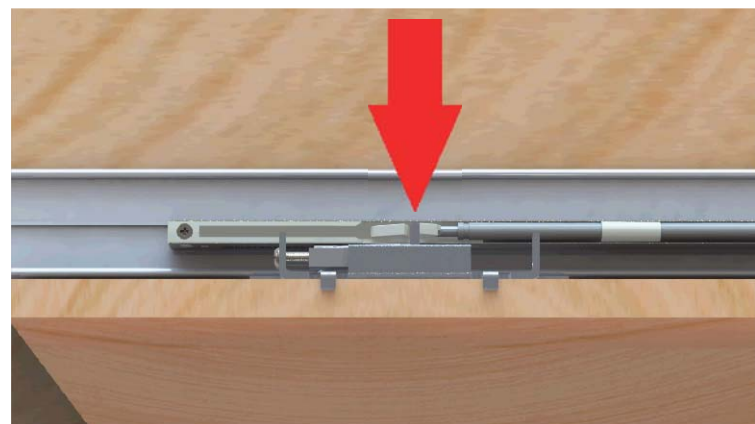
Close the inner door



Step 8 Install soft closer for left inner door

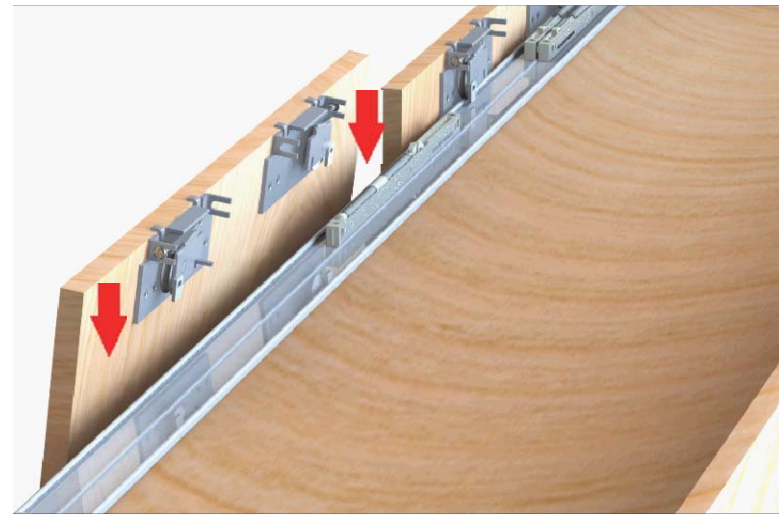
With the door in opened position install the soft closer.

NOTE: See Page 11, Dampers arrangement

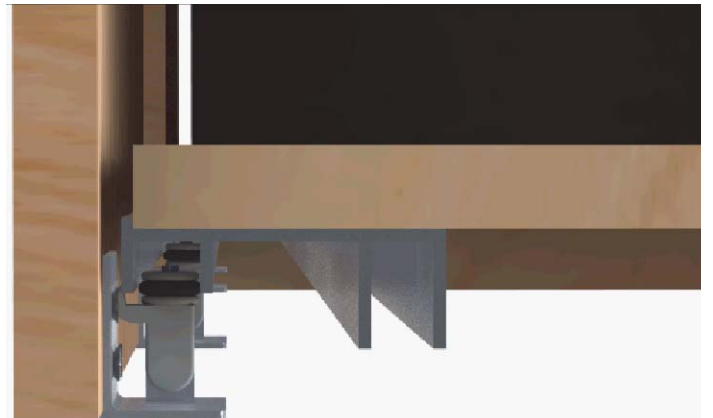
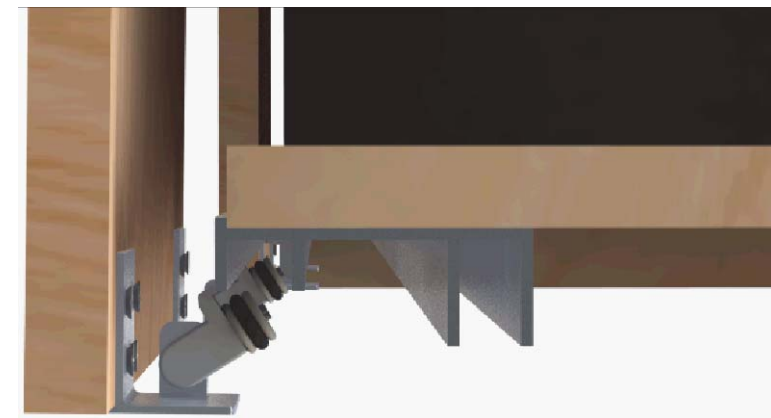


Step 9 Mounting the right inner door - Top

Place the right inner door in position and place the roller on the top track outer rail



Step 10 Mounting the right inner door - Bottom



Once the top rollers are in position on the top track, push the lower guides in the bottom track outer channel until you hear a 'CLICK' sound

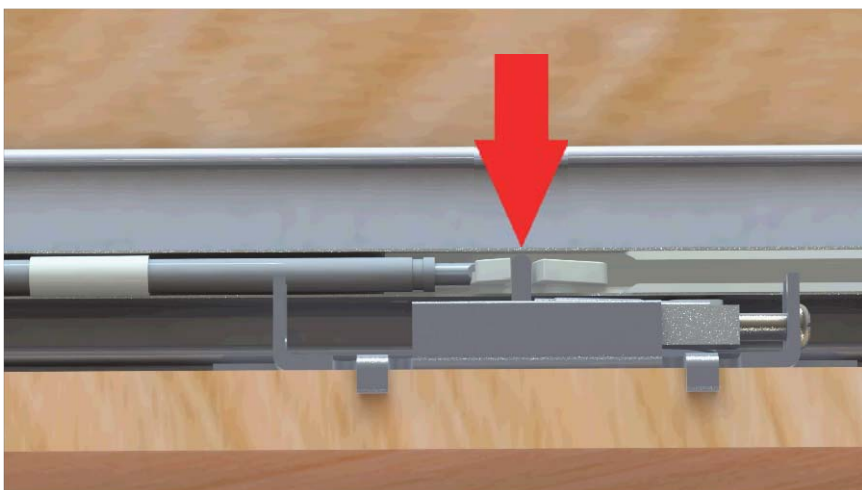
To unfasten the door, hold it from the bottom of the door and pull



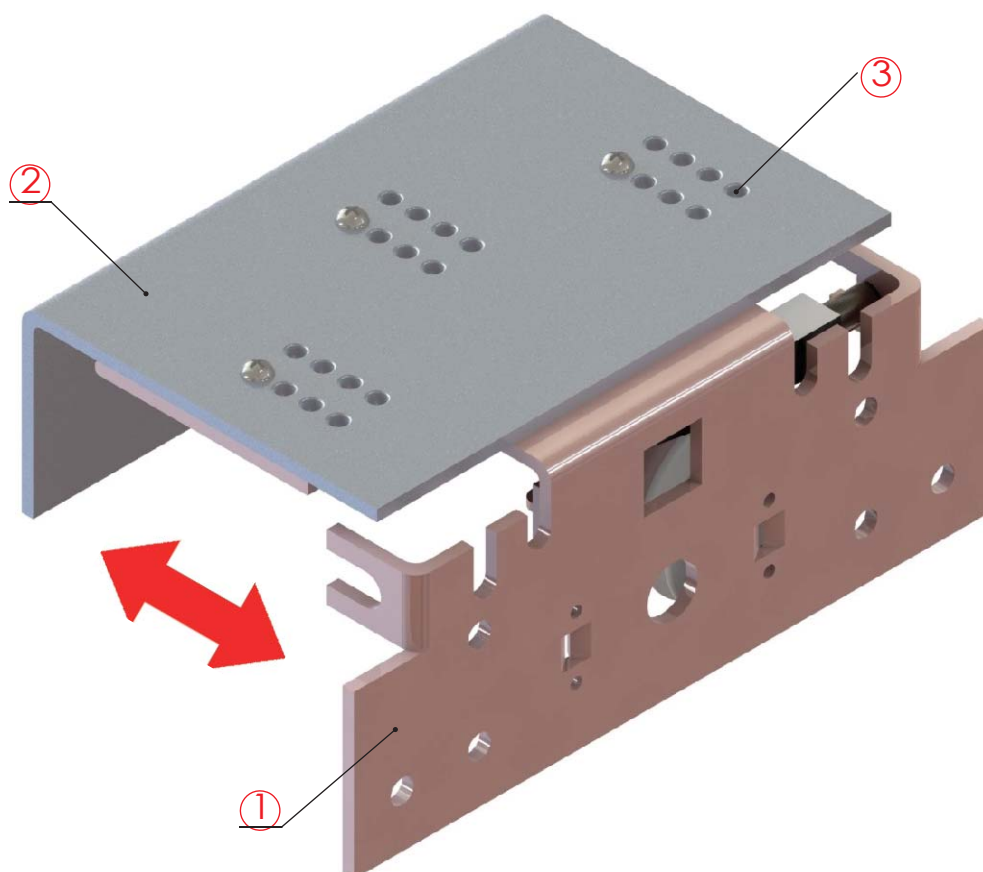
Step 11 Mounting the left inner door - Bottom

With the door in opened position install the soft closer.

NOTE: See Page 11, Damper arrangement

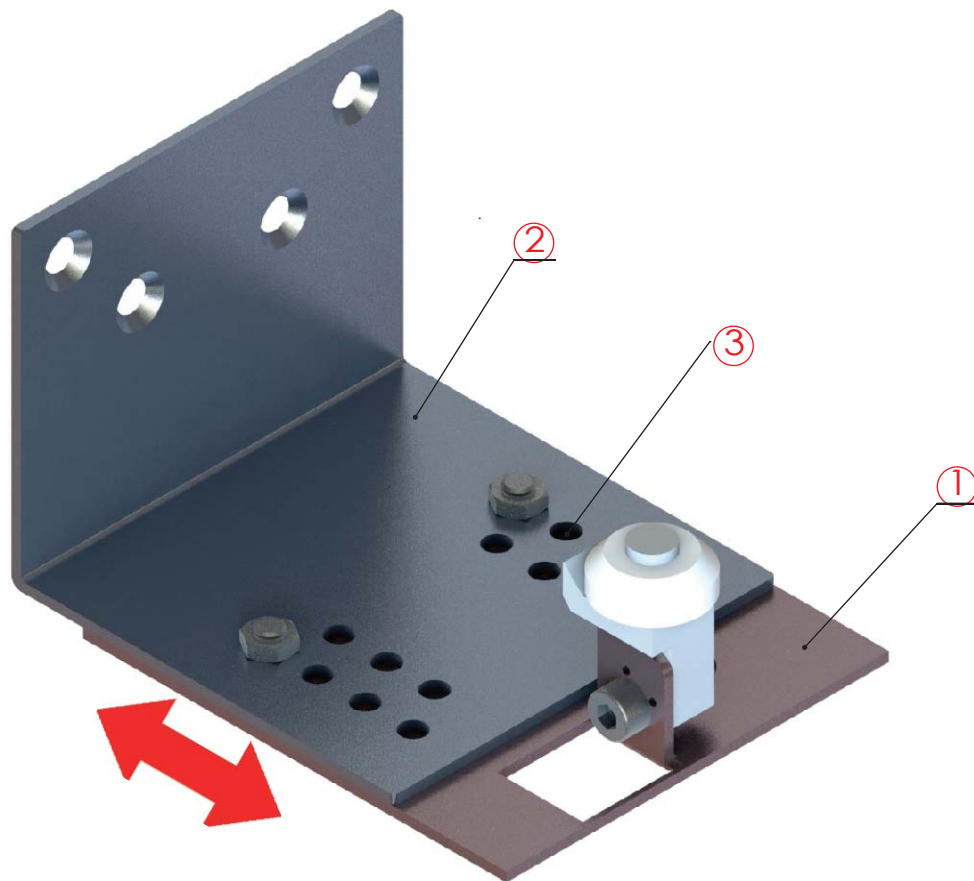


Step 12 Adjust the outer door upper rollers



It is possible to use doors between the thickness of 20 and 50 mm. To adjust the upper rollers let the parts **1** and **2** slide to have the holes of the part **1** corresponding to the holes (**3**) of the part **2** referred to the correct thickness.

Step 13 Adjust the outer door lower guides

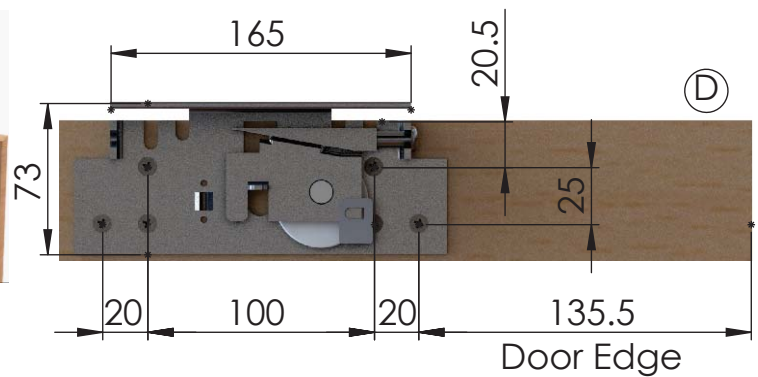


To adjust the lower guides of the outer door, let the parts **1** and **2** slide to have the holes of the part **1** corresponding to the holes **(3)** of the part **2** referred to the correct thickness.

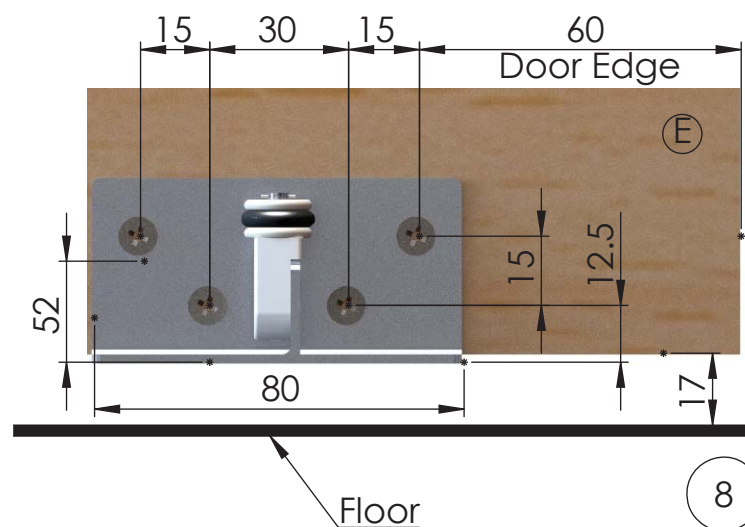
Step 14 Adjust the outer door upper rollers & lower guides



On top of the outer door and fix the top rollers

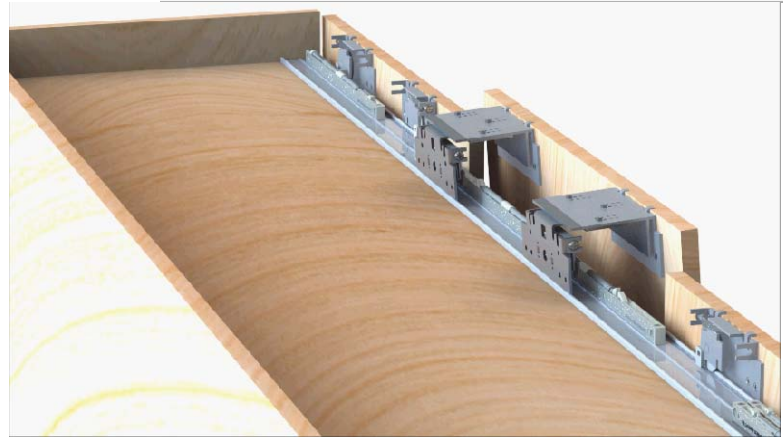
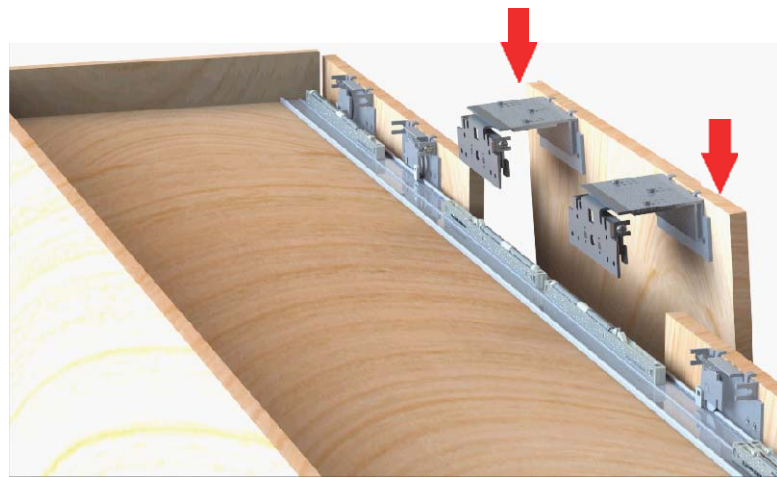


On the bottom of the outer door and fix the lower guides



Step 15 Mounting outer door - Top

Place the outer door in central position and place the roller on the top track inner rail



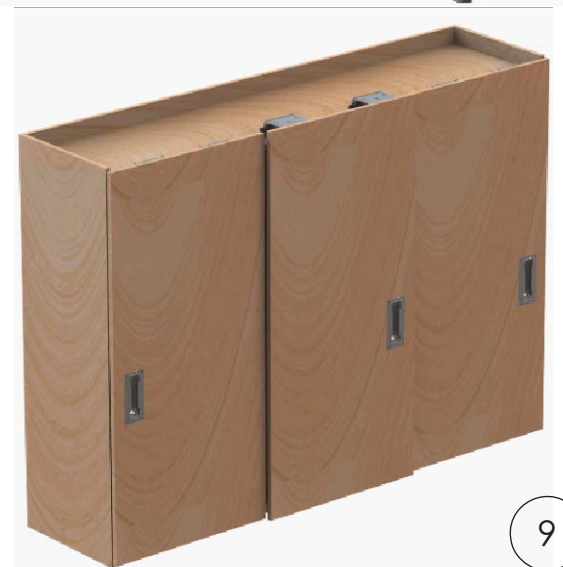
Step 16 Mounting outer door - Bottom



Once the top rollers are in position on the top track, push the lower guides in the bottom track inner channel until you hear a 'CLICK' sound

To unfasten the door, hold it from the bottom of the door and pull

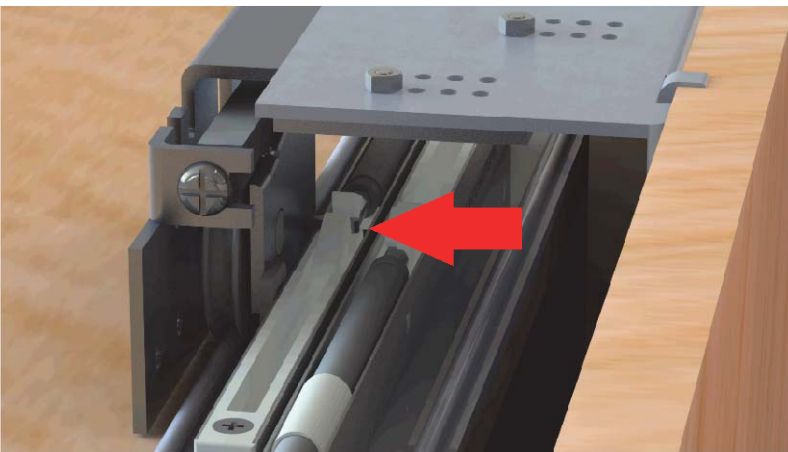
Close the inner door



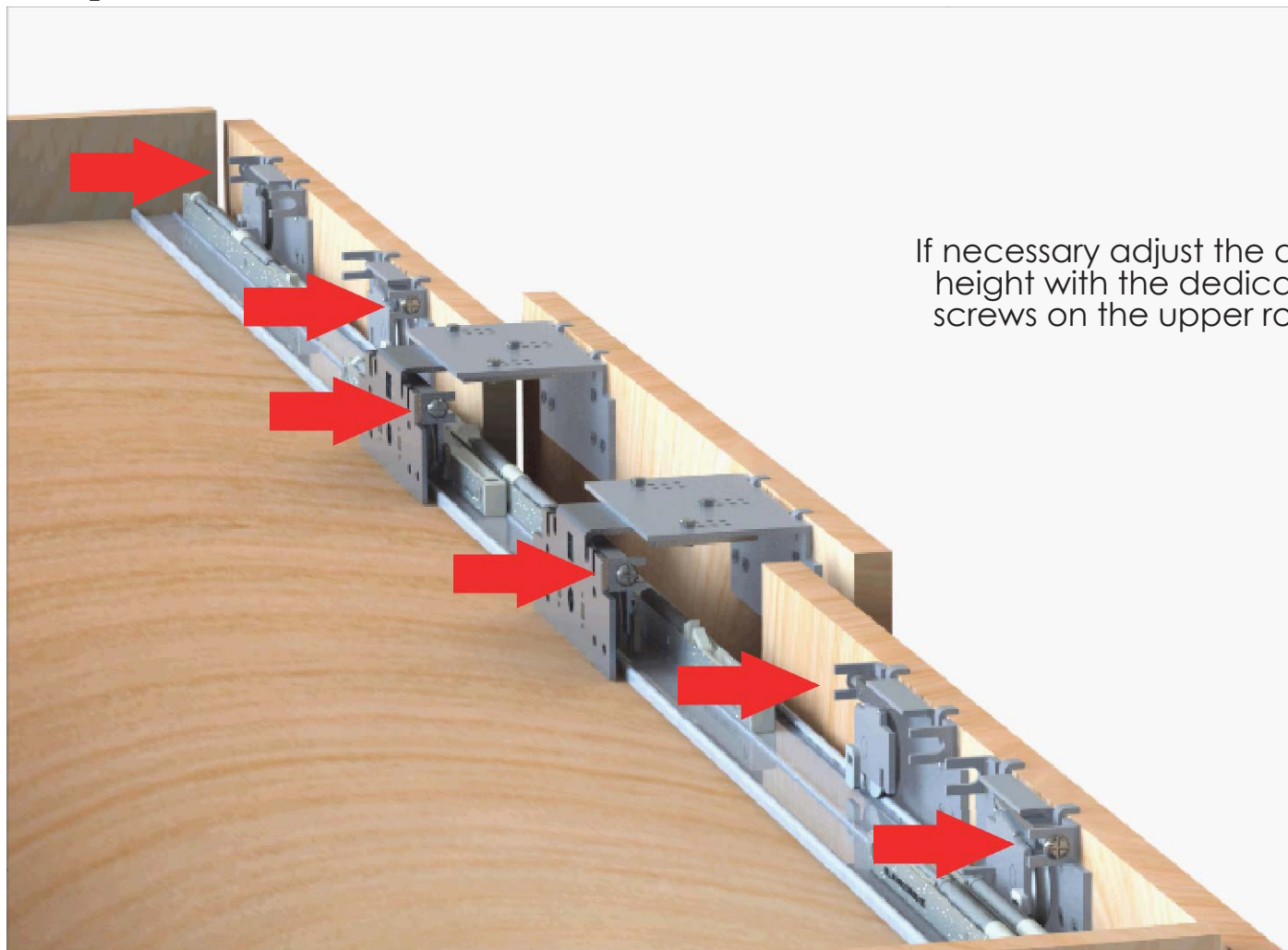
Step 17 Mounting outer door - Bottom

With the door in closed position install the soft closer on the closing side

NOTE: See Page 11, Dampers arrangement



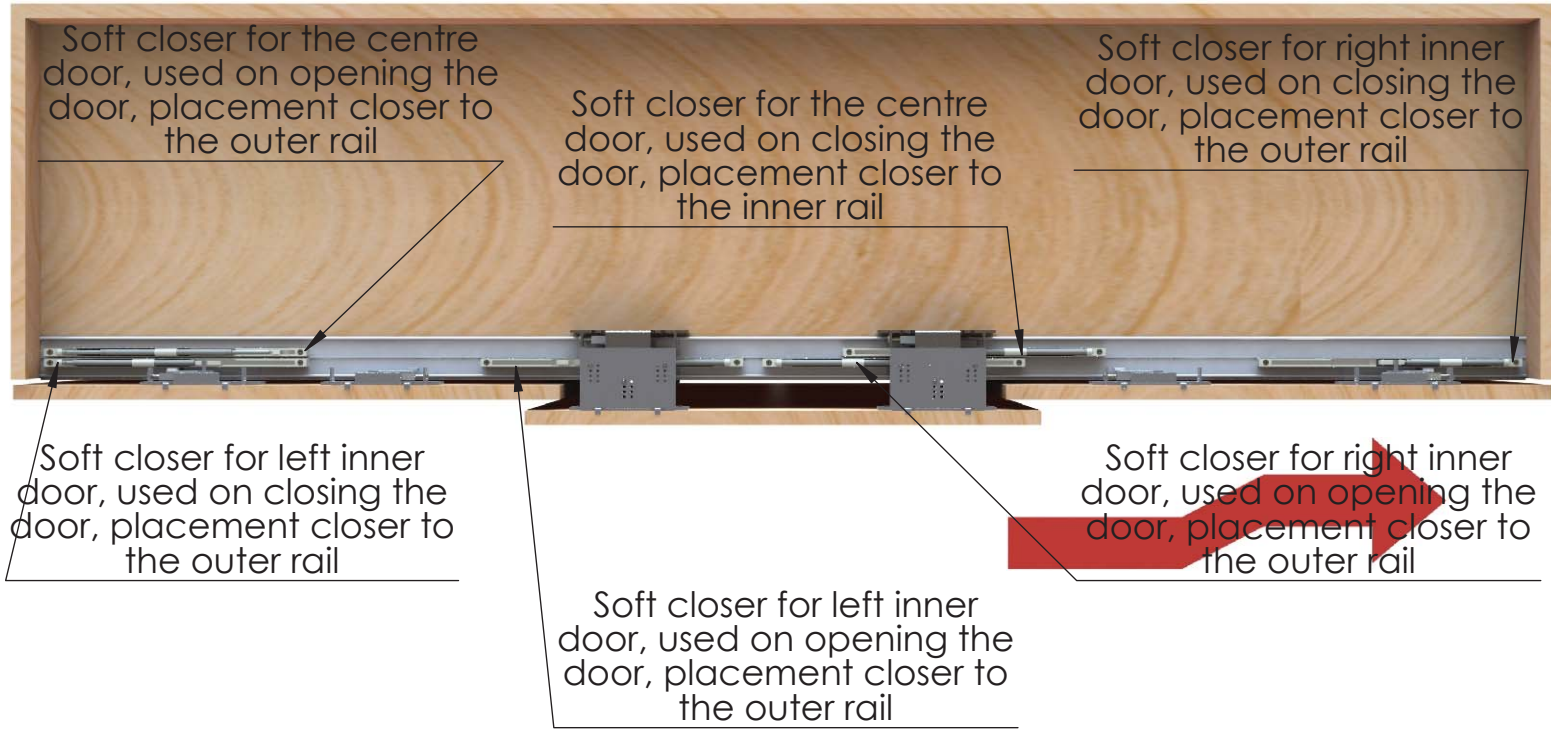
Step 18 Door adjustment



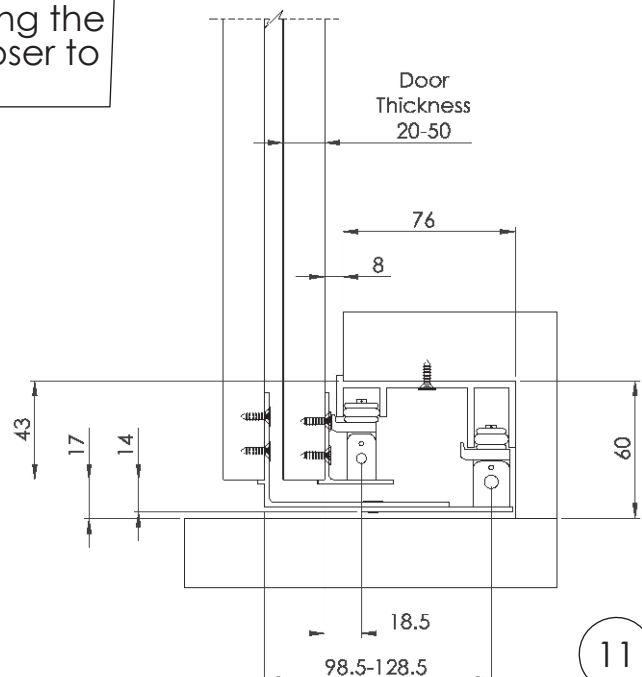
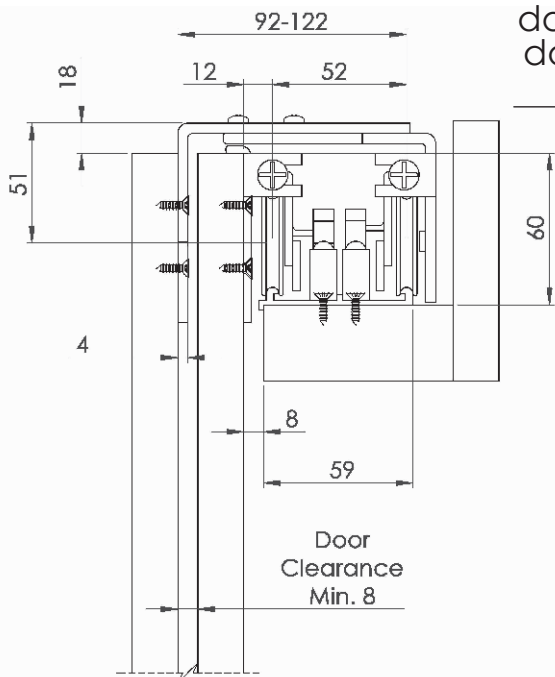
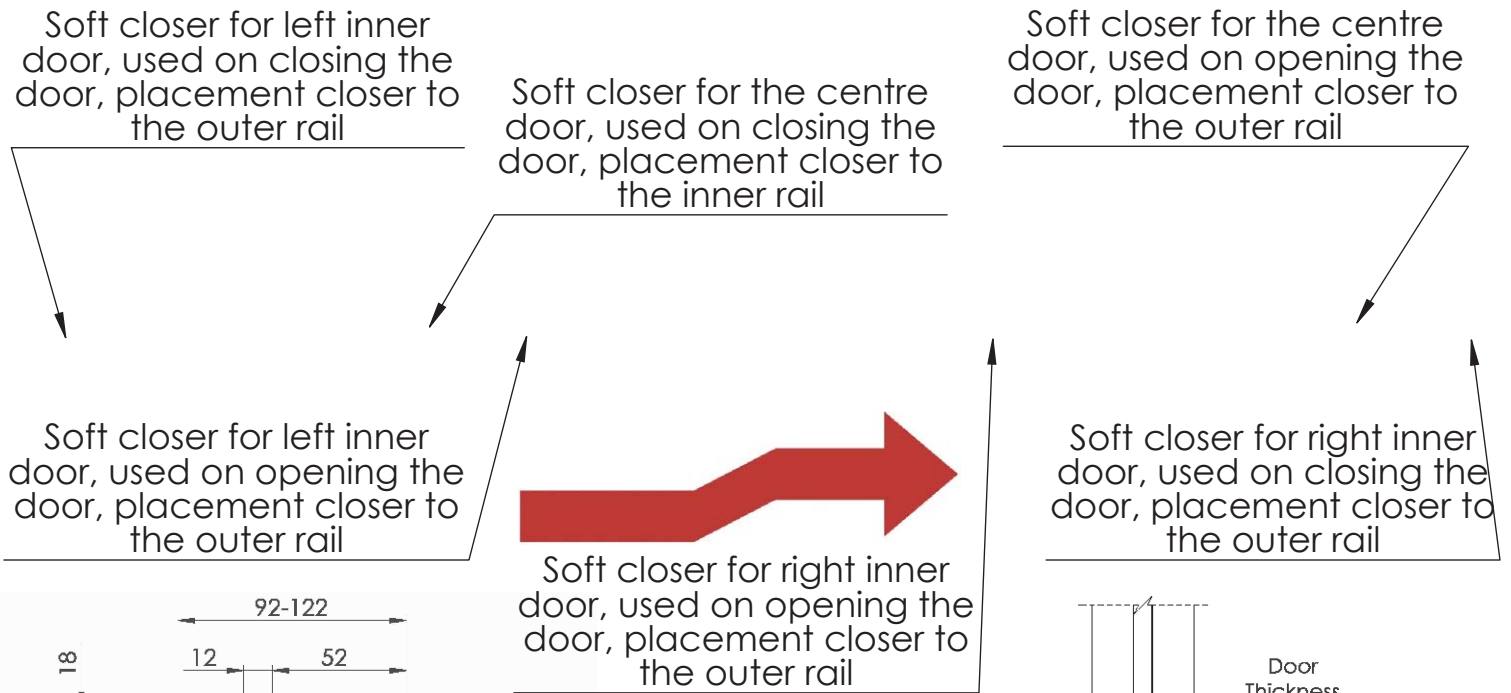
If necessary adjust the door's height with the dedicated screws on the upper rollers

Dampers arrangement

Door opening to the left



Door opening to the right



Eclat 80 3 Door Set



Coburn Sliding Systems Limited
Unit 1, Cardinal West, Cardinal Way,
Godmanchester, PE29 2XN, United Kingdom

Phone: +44 (0)20 8545 6680

Fax: +44 (0)20 8545 6720

E-mail: sales@coburn.co.uk

www.coburn.co.uk