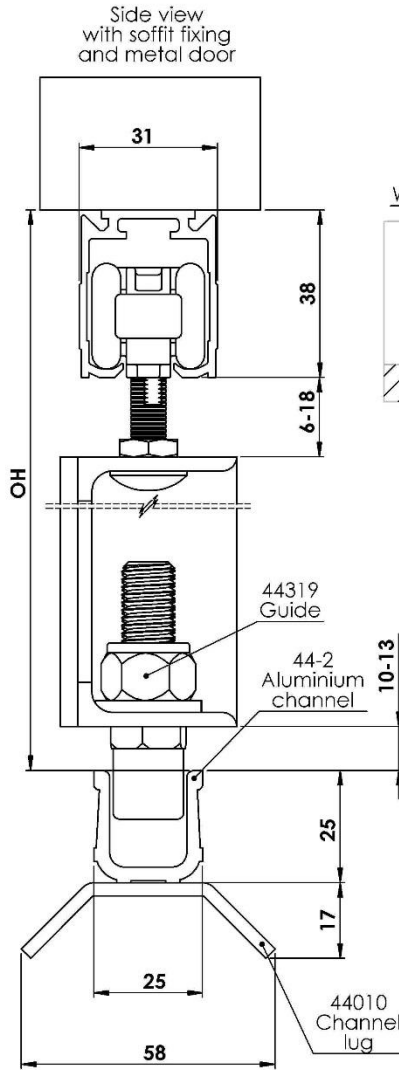
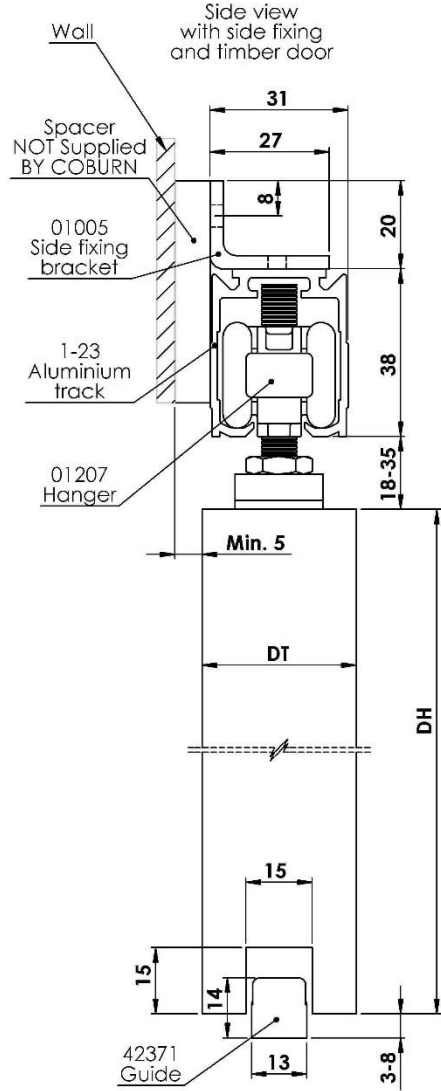
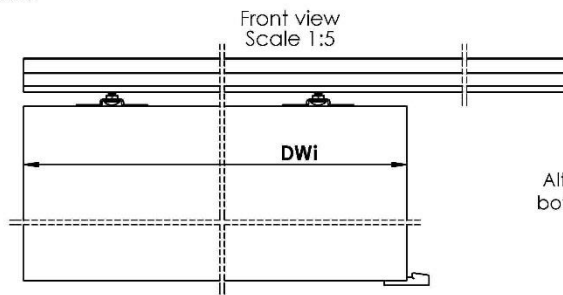
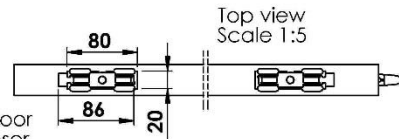
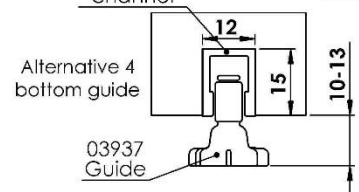
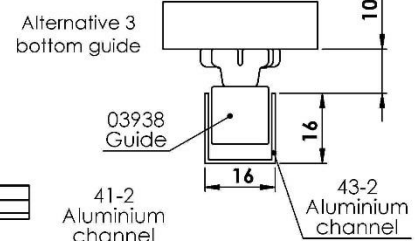
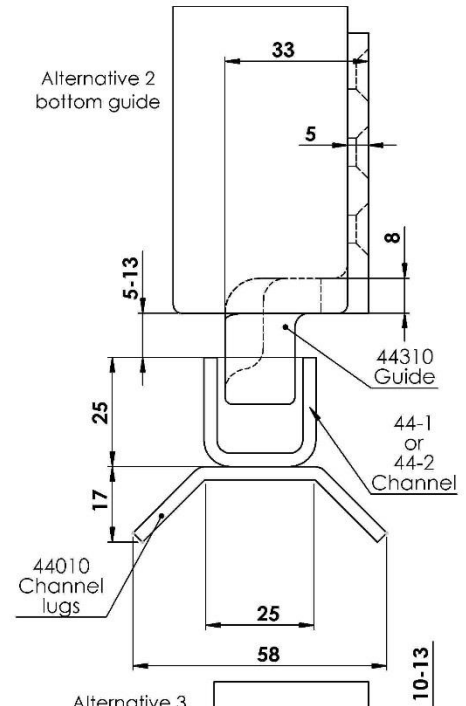
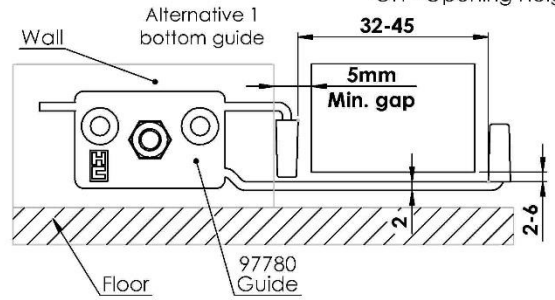


STRAIGHTAWAY 100 FITTING INSTRUCTIONS

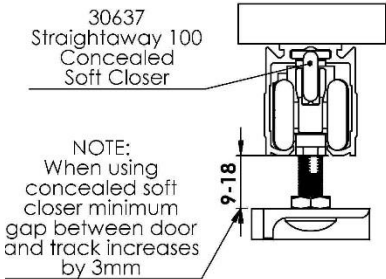
STRAIGHTAWAY 100



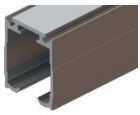
Maximum door weight 100kg
 DH - Door height, 2700mm
 DWi - Door width
 DT - Door thickness, between 20mm and 50mm
 OW - Opening width
 OH - Opening Height



Side view with soffit fixing, metal door and concealed soft closer Scale 2:3



PARTS AND ACCESSORIES



12320-24-30-36-40-60 – ALUMINIUM TRACK



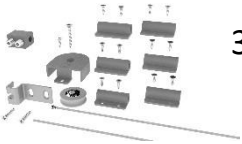
01206 – FITTINGS PACK



01005 – ALUMINIUM SIDE FIXING BRACKET - PACK OF 5



30637 – CONCEALED SOFTCLOSER FOR 100 KG



30701 – SELF CLOSER KIT UP TO 100 KG



61405 – SIMULTANEOUS OPERATORS KIT UP TO 100 KG

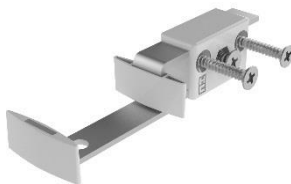


97741 – MICROLINE KIT UP TO 250 KG

GUIDES OPTIONS



42371



97780



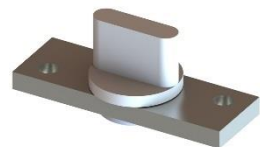
22392



03938



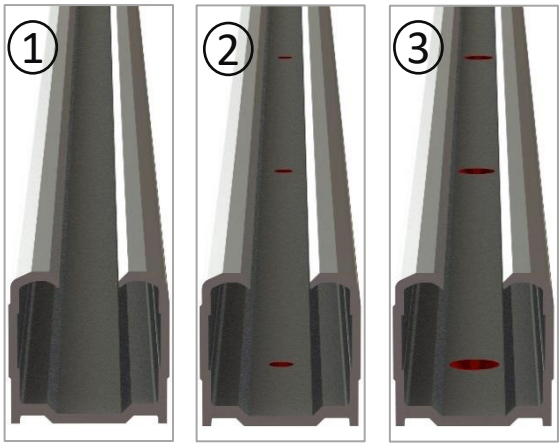
03937



41346

Step 1 Soffit Fixing

NOTE: Check if hardware can be inserted after fixing the track. If that is not possible, see Step 5 and afterwards continue.

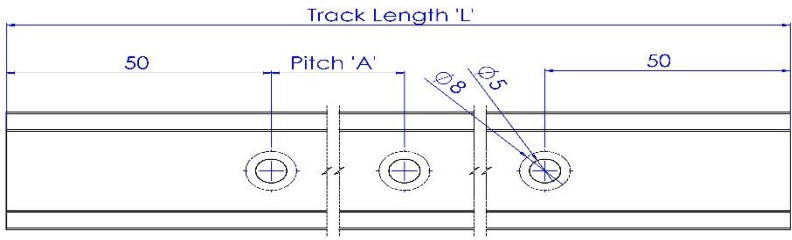
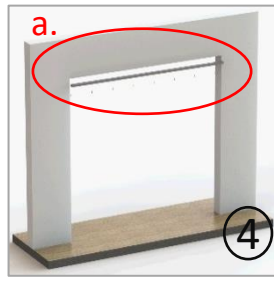


No holes With holes Countersunk

TABLE			
No.	Track length (L)	Pitch 'A'	No. of Holes
1	1200mm	550mm	3
2	1500mm	465mm	4
3	1800mm	425mm	5
4	2000mm	475mm	5
5	2400mm	328mm	8
6	3000mm	414mm	8
7	3600mm	388mm	10
8	4000mm	433mm	10
9	6000mm	491mm	13

Drill $\varnothing 5$ mm holes and 8mm countersunk recommended

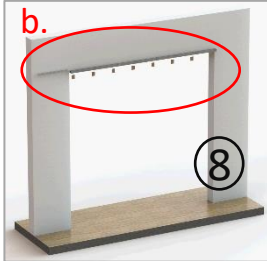
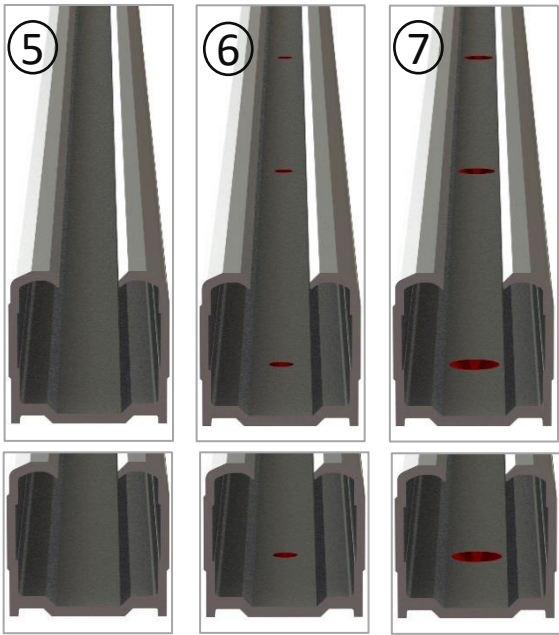
Go underneath the opening, insert the track into place and secure with screws



Step 2 Side Fixing

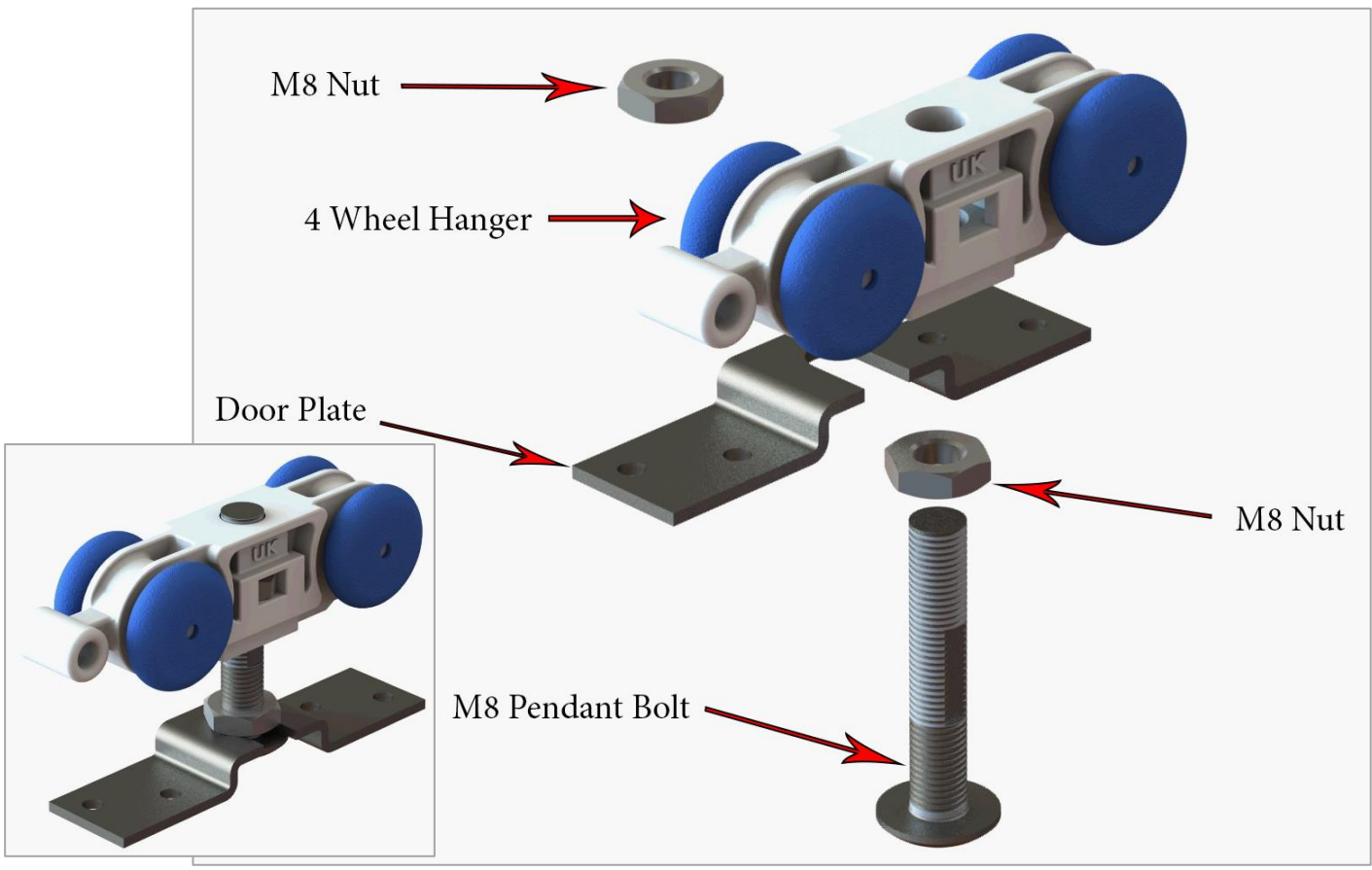
Drill $\varnothing 5$ mm holes and 8mm countersunk recommended

Please follow above mentioned table for holes

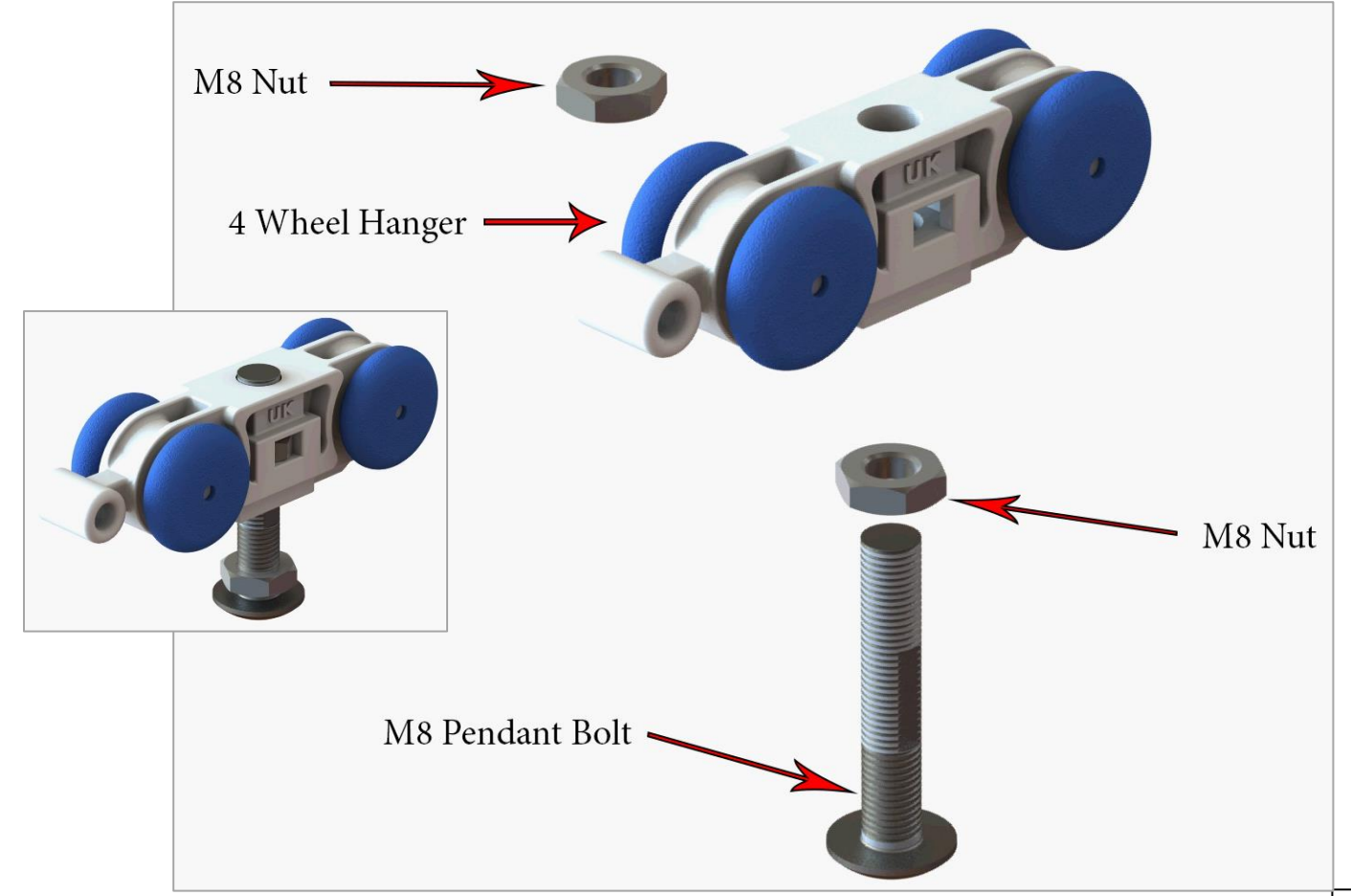


Slide brackets onto track and fix them with screw supplied (c1. and c2.). With track in a levelled position and secure with screws (c3 and c4.).

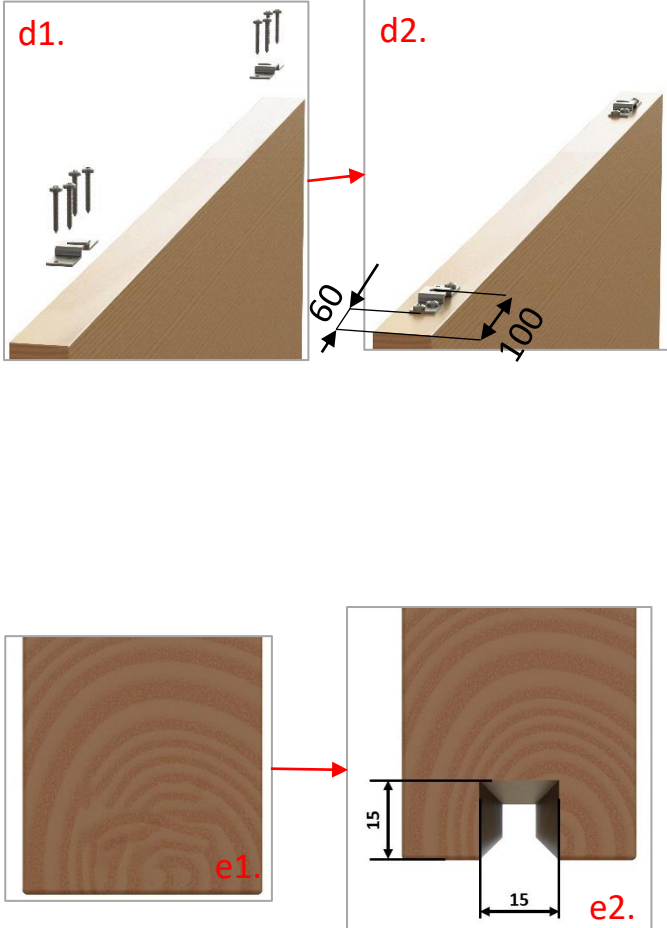
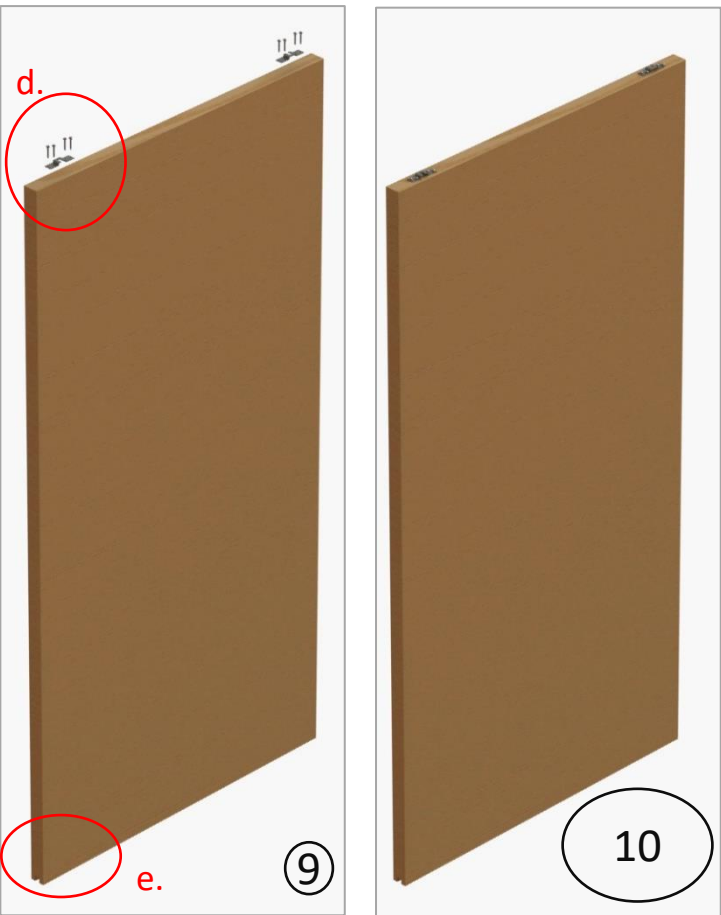
Step 3 Identifying Hanger



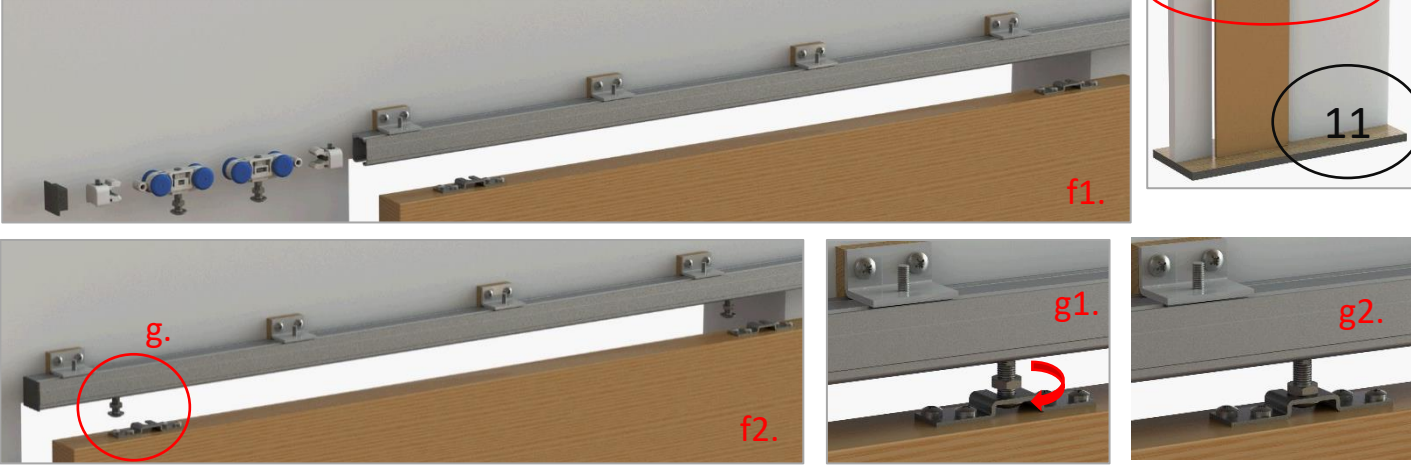
Metal Door Hanger



Step 4 Timber Door Preparation



Step 5 Door Installation



Insert hardware into track (f1.). Insert door plate onto hanger bolt and secure position by tightening nut (g.). Adjust the position of stoppers until desired door stop position is set. Tighten door stopper screws to secure the position. Adjust door level by loosening nut (g1.) and screwing or unscrewing the hanger bolt, after adjusting retighten the nut (g1.)

Step 6 Fixing Bottom Guide

h1.



h2.



h3.



h4.



Place guide on the floor halfway in (h2.), secure with screw (h3.)

Straightaway 100

Fitting instructions



Coburn Sliding Systems Limited

Unit 1, Cardinal West, Cardinal Way,

Godmanchester, PE29 2XN, United Kingdom

Phone: +44 (0)20 8545 6680

E-mail: sales@coburn.co.uk

www.coburn.co.uk