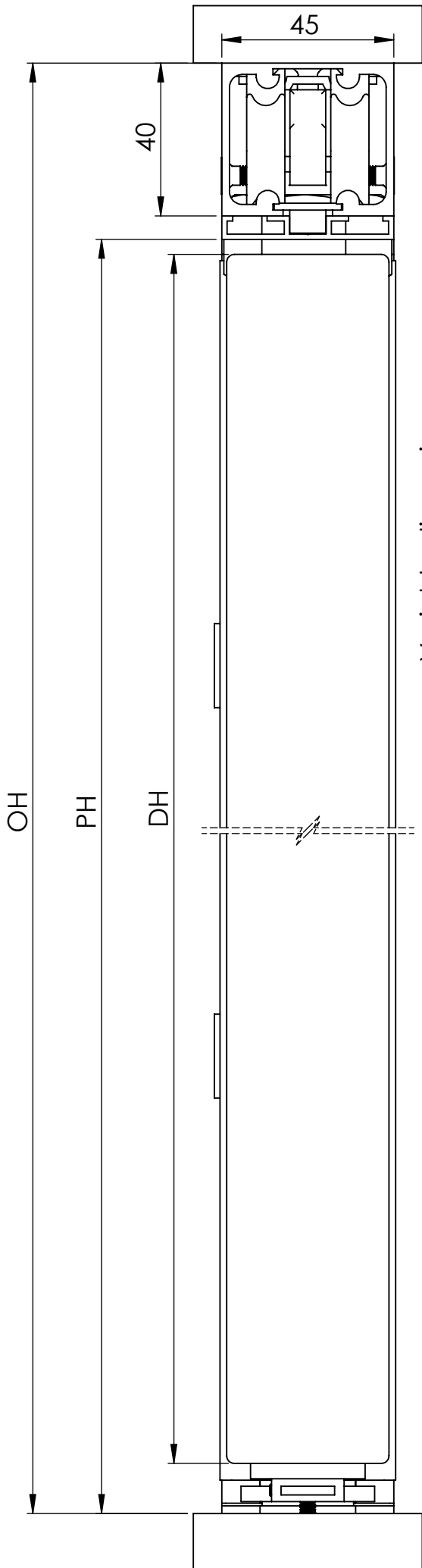


# Duoswing

Top view



Maximum door weight 70kg

DH - Door Height, maximum standard kit 1981mm\*

DWi - Door width - 686mm, 762mm or 838mm

DWi = Fix dimension + Variable dimension

DT - Door thickness, between 35mm and 50mm

OW - Opening width

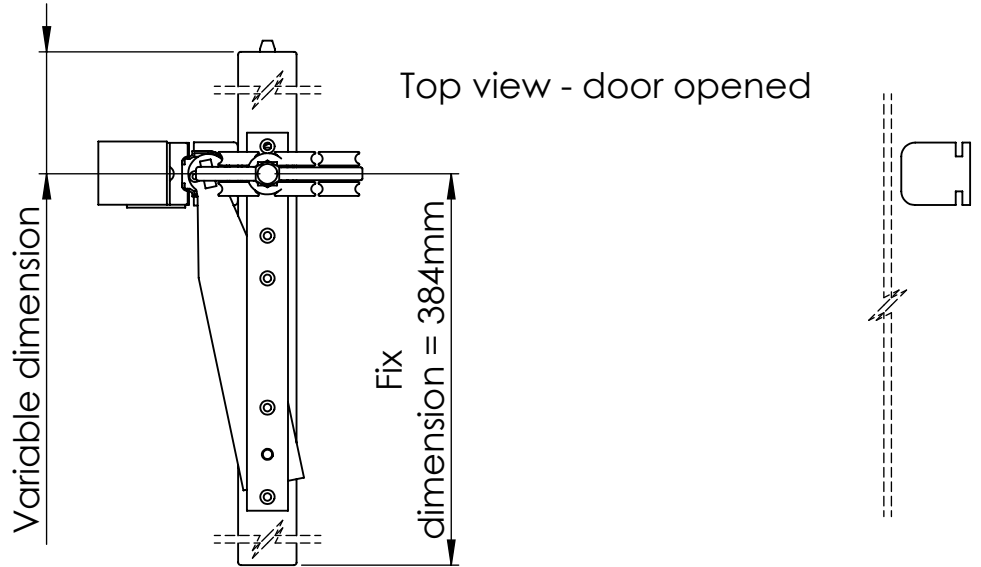
OH - Opening height,  $OH = PH + 50mm$

PH - Passage height,  $PH = DH + 16mm$

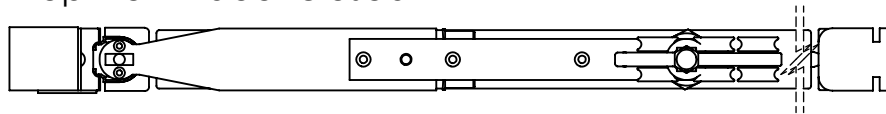
PO - Passage opening

\*The doorpost and track can be adjusted for shorter and narrower doors\*

NOTE: To achieve minimum gaps, plates must be routed into door



Top view - door closed



Front view

