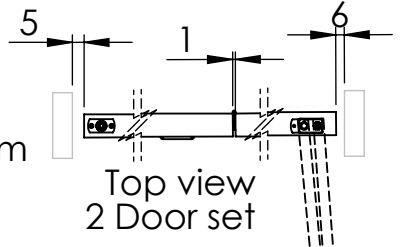
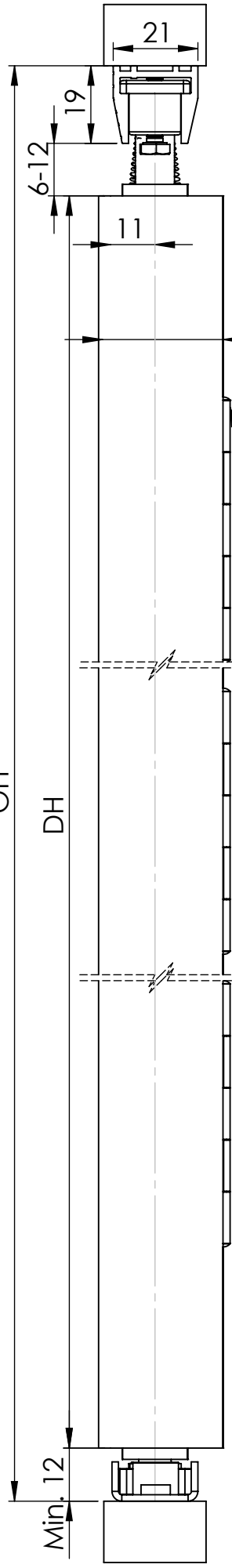


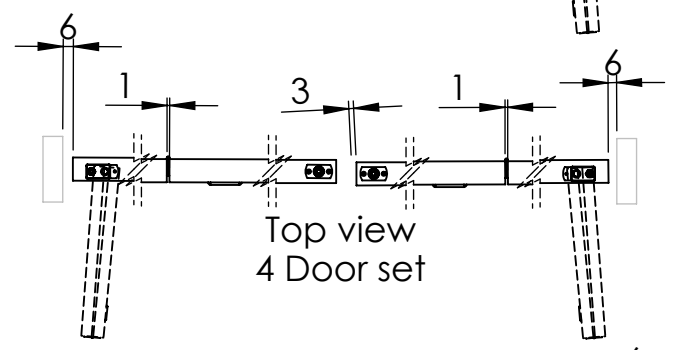
# TWIN FOLD

Maximum door weight 15kg  
 DH - Door height = OH - 40mm  
 DWi - Door width, maximum 450mm  
 DT - Door thickness, between 20mm and 35mm  
 OW - Opening width  
 OH - Opening Height

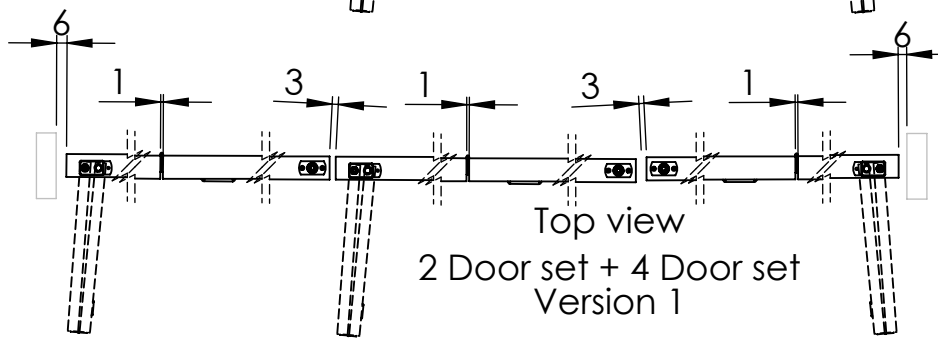
Side view



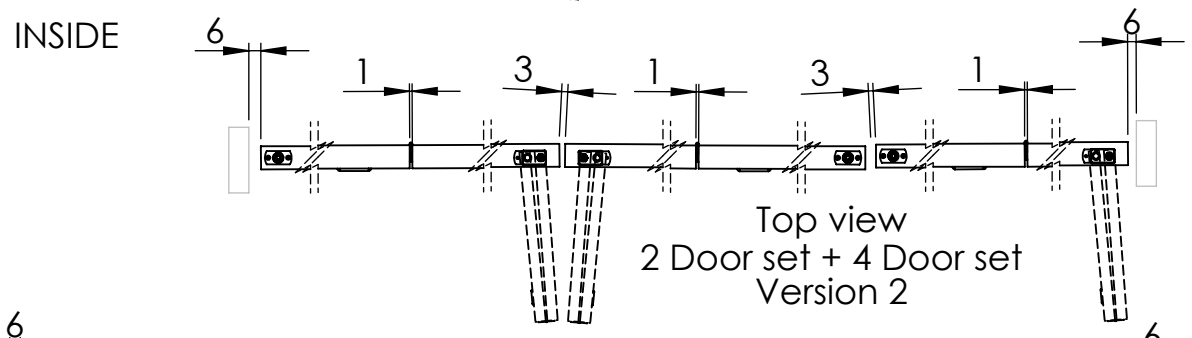
Top view  
2 Door set



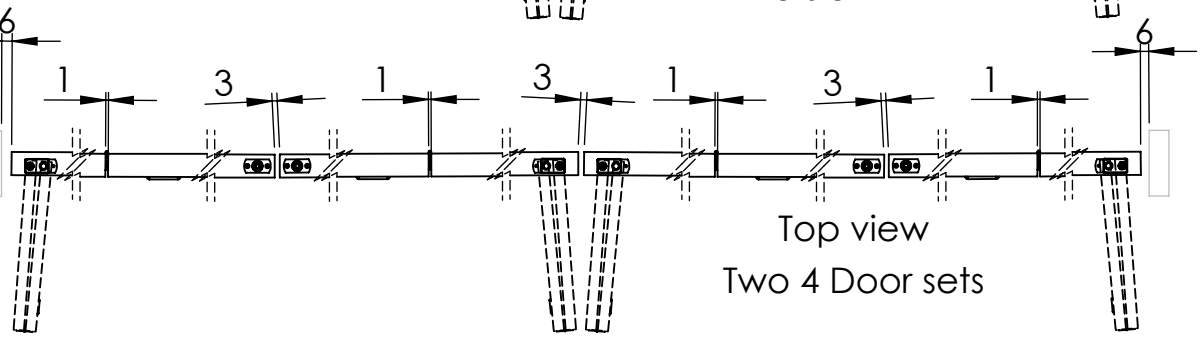
Top view  
4 Door set



Top view  
2 Door set + 4 Door set  
Version 1



Top view  
2 Door set + 4 Door set  
Version 2



Top view  
Two 4 Door sets

Front view

