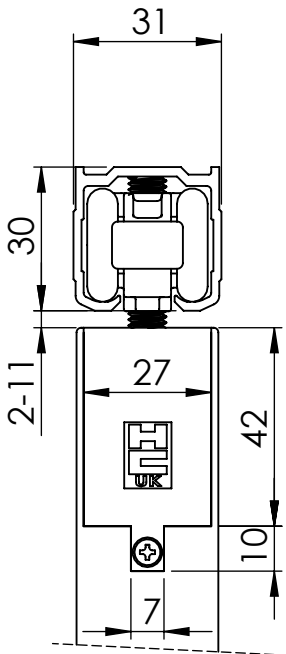
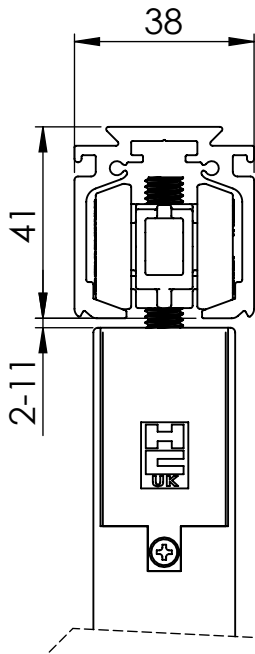


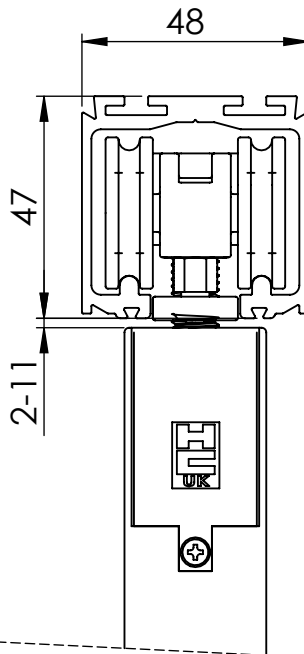
STRAIGHTAWAY 100



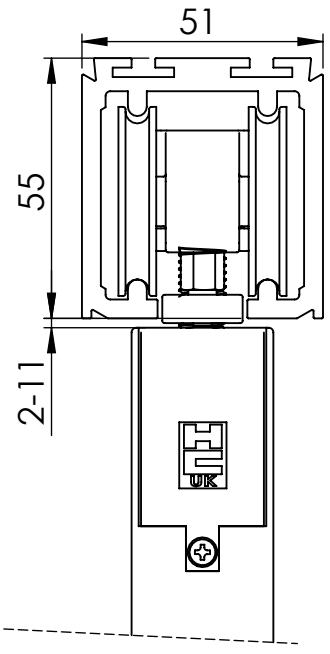
STRAIGHTAWAY 130



STRAIGHTAWAY 180



STRAIGHTAWAY 250

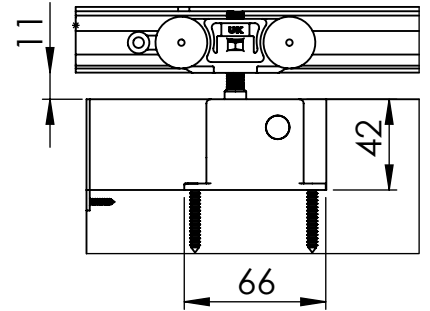
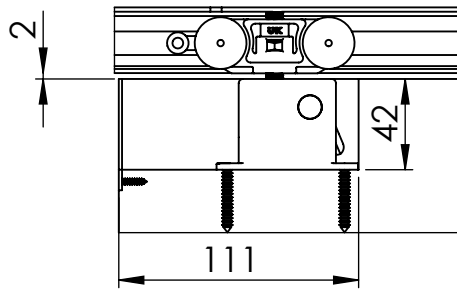


MICROLINE SPECIFICATIONS

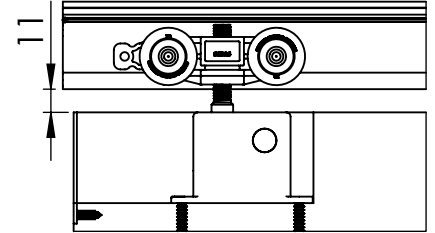
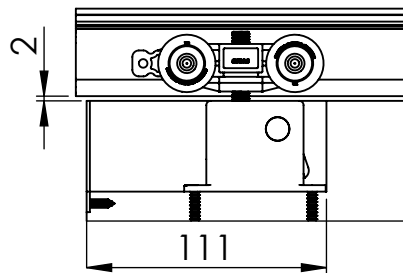
Minimum door thickness: 30mm

Maximum door weight is 250kg
(depending on system used)

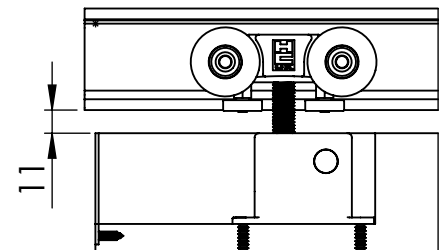
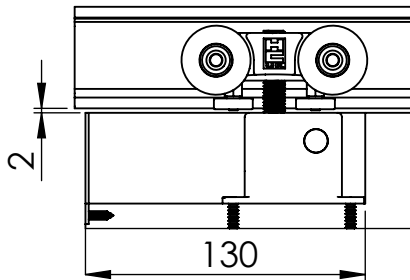
STRAIGHTAWAY 100



STRAIGHTAWAY 130



STRAIGHTAWAY 180



STRAIGHTAWAY 250

