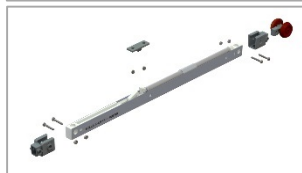


STRAIGHTAWAY/ETERNAL 130 – CONCEALED SOFT CLOSER FITTING INSTRUCTIONS

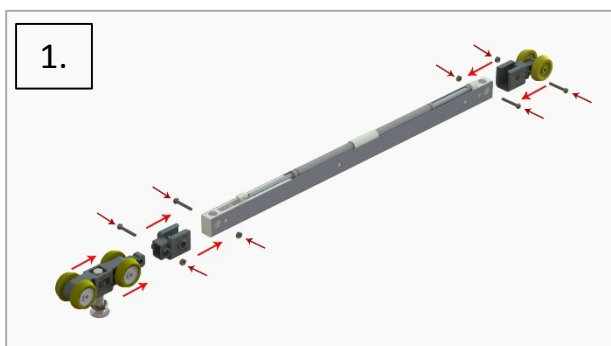


30614 – STRAIGHTAWAY 130 CONCEALED SOFT CLOSER KIT



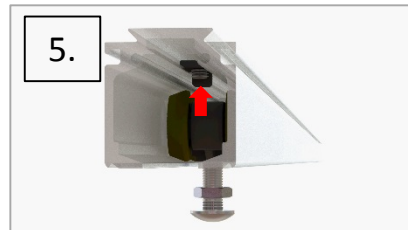
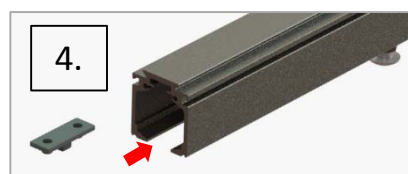
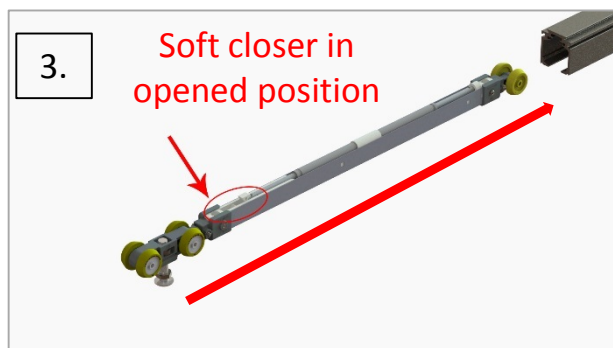
30632 – ETERNAL 130 CONCEALED SOFT CLOSER KIT

Step 1 Attach soft closer to hanger



Attach 2-wheeler to the back of the soft closer. Attach adaptor to other side of soft closer, afterwards attach hanger to adaptor (1.).

Step 2 Insert actuator and soft closer

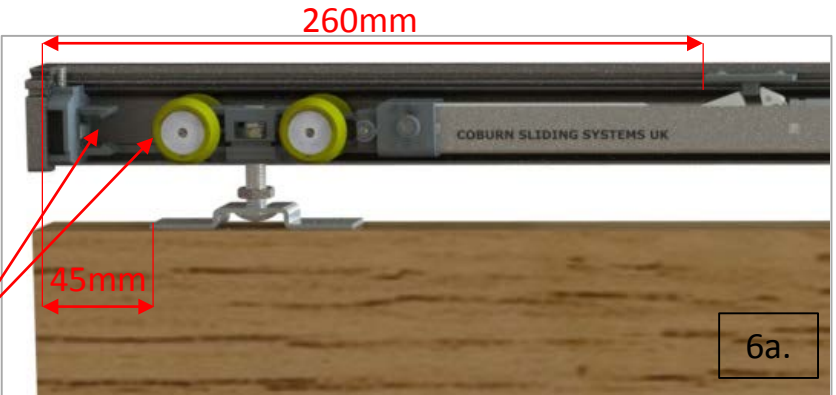


Make sure soft closer trigger is in open position then insert soft closer inside track (3.), next insert actuator in track(4) (see position on next page) and secure with screws.

Step 2 Insert actuator and soft closer



These are recommended dimensions and can be changed according to each projects needs



Hanger shouldn't touch the stopper/end cap

Step 3 (OPTIONAL) Soft opening

Repeat steps 1 and 2 for soft opening

