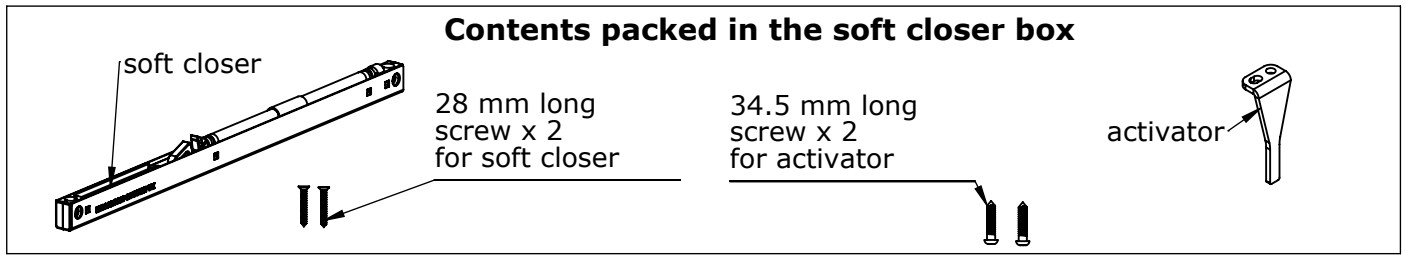


STRAIGHTAWAY 100 SOFT CLOSER INSTRUCTION-SOFFIT FIXING

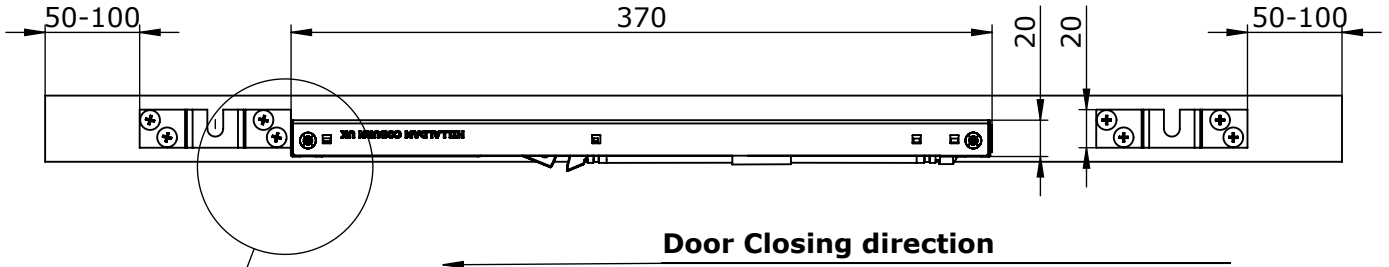
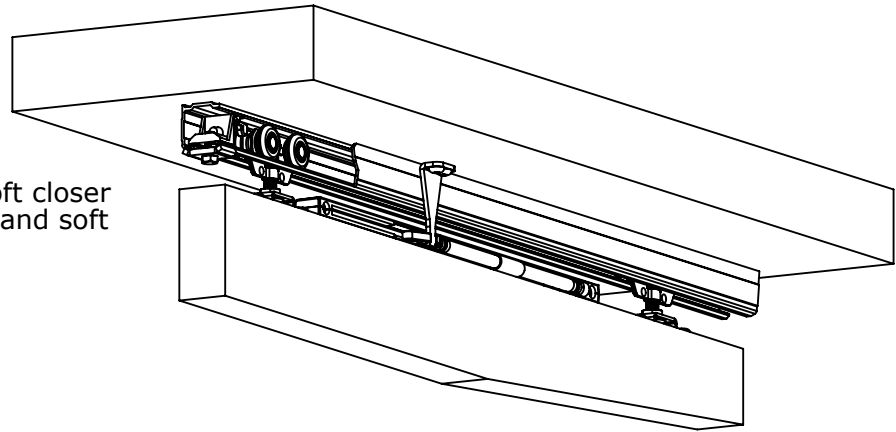
Maximum door weight : 70 kg



Fixing soft closer - Standard installation

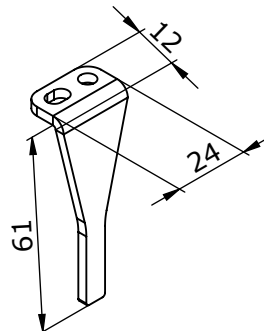
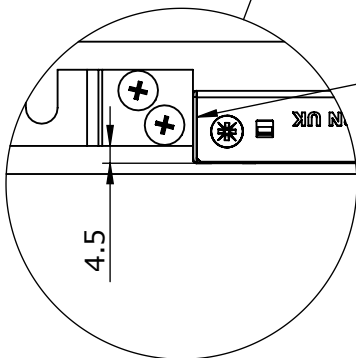
Step 1

Consider the door width and soft closer length then fix the door plates and soft closer as explained below;



Soft closer mechanism to be butted up to door plate piece in door closing direction as shown in the figure.

Note: Depending on the door width, soft closer can be fixed in the centre of the door or butted up to door plate in closing direction as illustrated with this example.



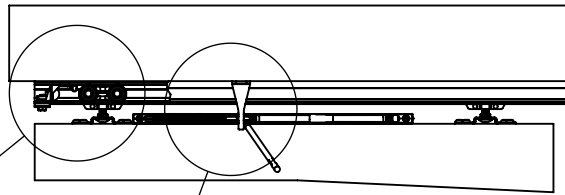
ALL DIMENSIONS ARE IN MILLIMETRES

Fixing Activator

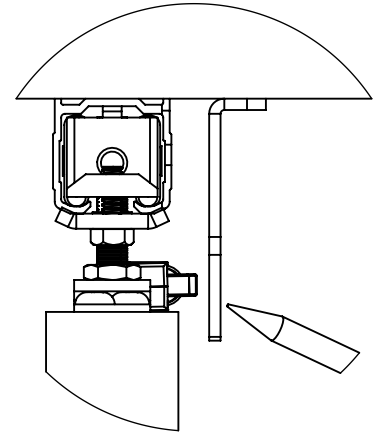
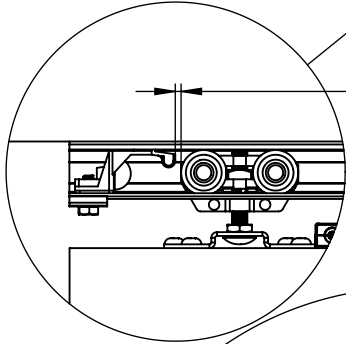
Step 2

After the height adjustment of the door panel , slide the door in fully closed position as illustrated.

ATTENTION: Ensure the door runs straight and inline with the track.



min 2 mm clearance

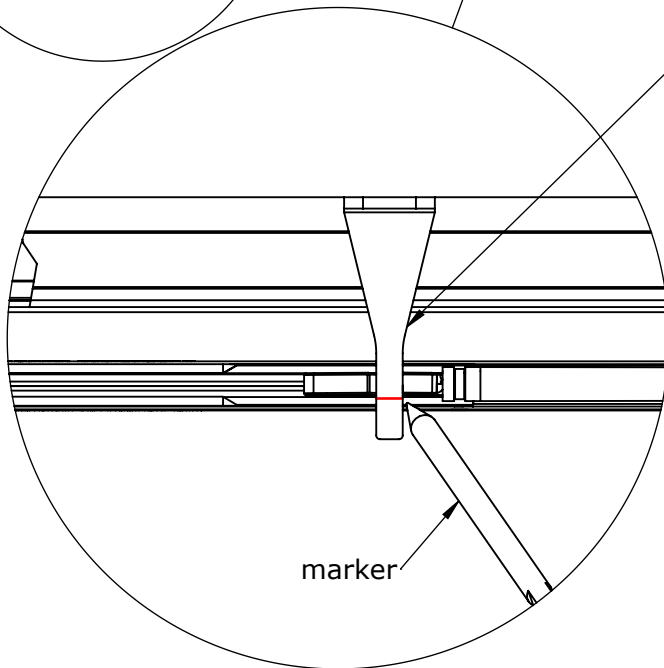


Step 3

Maintain the spring mechanism (trigger) in the released state as illustrated.

Insert the activator in the trigger of the soft closer.

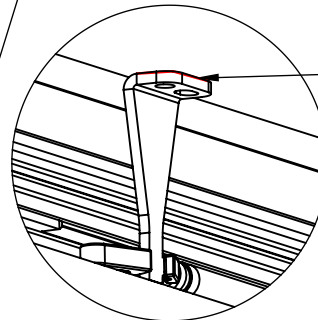
If the activator length is too long, mark and cut the length accordingly that will be short enough to pass through the top edge of the door.



marker

Step 4

Following any necessary cutting of the activator, insert the activator back in the trigger as illustrated in the figure below.

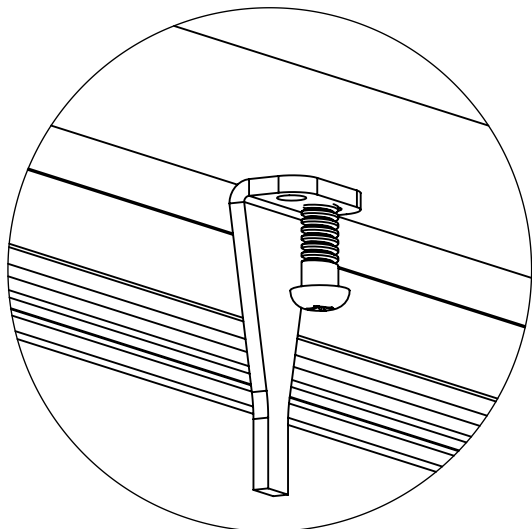


Mark the activator for fixing point, Ensure the door is closed fully in the desired state.

Step 5

Following the marking , open the door and screw the activator from the oval hole first.

Before fixing the right side hole, check the door and soft closer action by opening and closing the door slowly.



Step 6

Screw the second hole and secure the activator if no adjustments need to be made .

