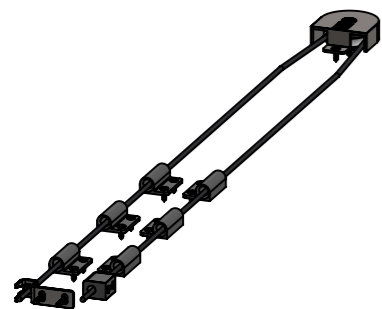


ITEM NO.	PART NUMBER	DESCRIPTION	QTY.
1		Plastic cap	1
2		Pulley	1
3		626Z bearing for pulley	1
4		Plastic wire guide	6
5		Metal wire retainer	1
6			1
7		Tapping screw DIN 7982-ST2.9x16-C-H-S	2
8		Plastic hold wire end	1
9		Socket screw	2
10		Wire	1
11		AS-NZS 4407-ST2.9x9.5-C-H-S	13
12		AS-NZS 4407-ST3.5x25-C-H-S	1



COBURN
SLIDING SYSTEMS

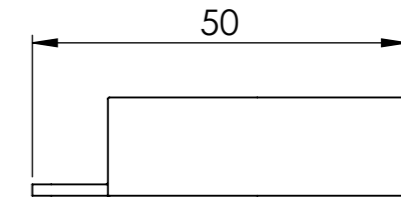
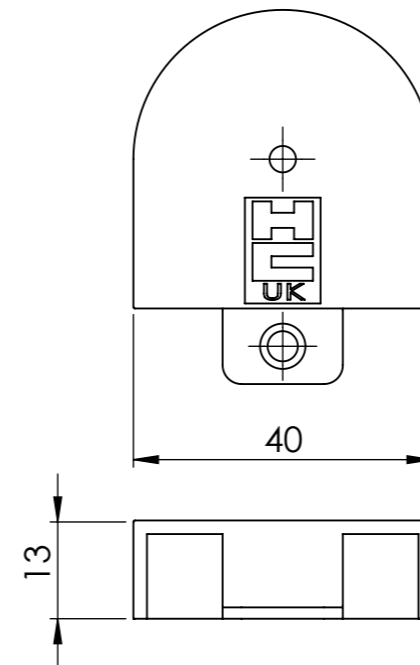
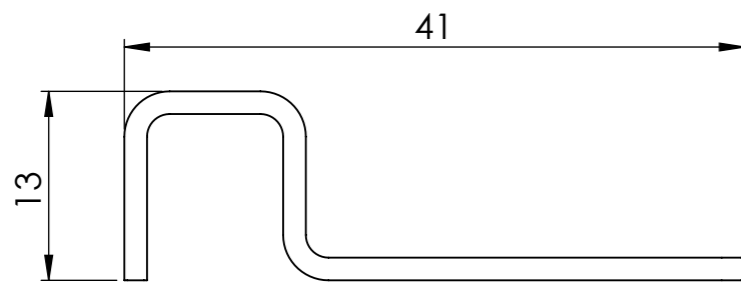
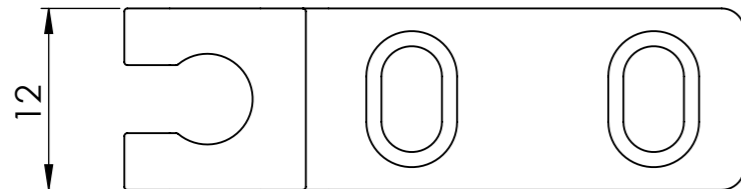
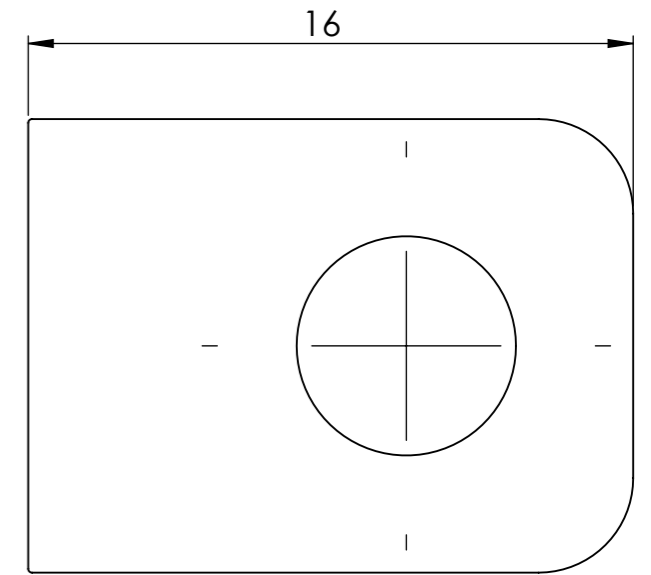
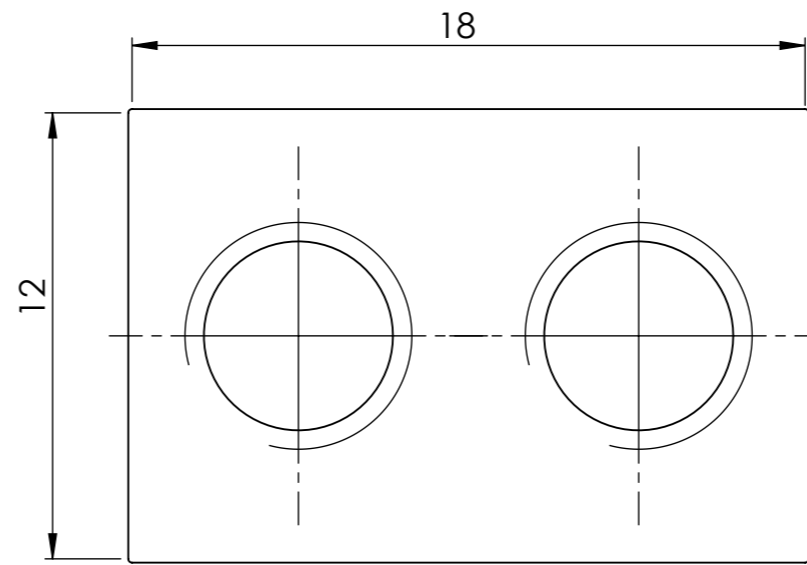
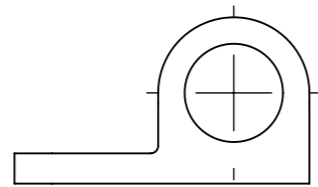
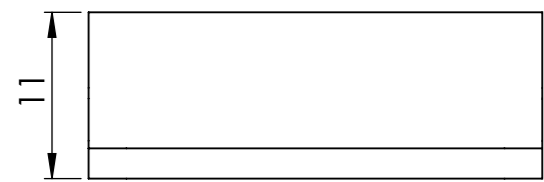
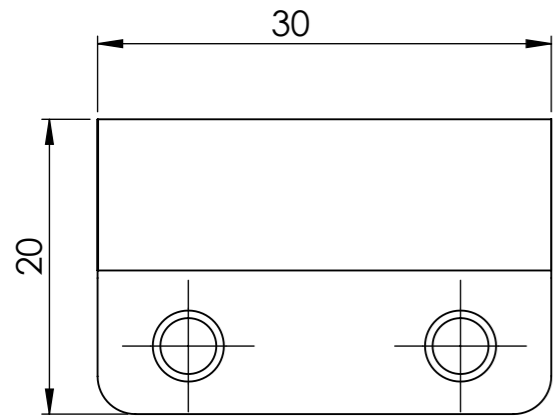
COBURN SLIDING SYSTEMS LIMITED
Unit 1, Cardinal way, Cardinal west,
Godmanchester, PE29 2XN, UK

TEL: +44 (0)20 8545 6680
FAX: +44 (0)20 8545 6720
E-Mail: sales@coburn.co.uk
Web: www.coburn.co.uk

© COPYRIGHT COBURN SLIDING SYSTEMS LIMITED

THE INFORMATION CONTAINED IN THIS DRAWING IS THE SOLE PROPERTY OF <COBURN SLIDING SYSTEMS LIMITED>. ANY REPRODUCTION IN PART OR AS A WHOLE WITHOUT THE WRITTEN PERMISSION OF <COBURN SLIDING SYSTEMS LIMITED> IS PROHIBITED.

MATERIAL	UNLESS OTHERWISE SPECIFIED:		DRAWN	DATE	FILE DRG. No.
	DIMENSION(mm) TOLERANCE ZERO PL DECIMAL ±0.2 ONE PL DECIMAL ±0.1 TWO PL DECIMAL ±0.05 ANGULAR TOLERANCE ±0.5° FORGING TOLERANCE SEE BS 4114 ALL EDGES WILL BE ROUNDED WITH 0.2mm COMMENTS: IF IN DOUBT ASK!		Adrian Bogdan	02/08/2016	Final drawing product
FINISH			CHECKED	DATE	TITLE:
				-/-	Self closer
			DIMENSIONS ARE IN mm DO NOT SCALE DRAWING		SIZE
					DRG/PART. No.
					REV
					A4
					30701
					01
			SCALE: NTS		WEIGHT:
					SHEET: 1/2



COBURN
SLIDING SYSTEMS

COBURN SLIDING SYSTEMS LIMITED
Unit 1, Cardinal way, Cardinal west,
Godmanchester, PE29 2XN, UK

TEL: +44 (0)20 8545 6680
FAX: +44 (0)20 8545 6720
E-Mail: sales@coburn.co.uk
Web: www.coburn.co.uk

© COPYRIGHT COBURN SLIDING SYSTEMS LIMITED

THE INFORMATION CONTAINED IN THIS DRAWING IS THE
SOLE PROPERTY OF <COBURN SLIDING SYSTEMS LIMITED>. ANY
REPRODUCTION IN PART OR AS A WHOLE WITHOUT THE WRITTEN
PERMISSION OF <COBURN SLIDING SYSTEMS LIMITED> IS PROHIBITED.

MATERIAL	UNLESS OTHERWISE SPECIFIED:		DRAWN	DATE	FILE DRG. No.	
	DIMENSION(mm) TOLERANCE ZERO PL DECIMAL ±0.2 ONE PL DECIMAL ±0.1 TWO PL DECIMAL ±0.05 ANGULAR TOLERANCE ±0.5° FORGING TOLERANCE SEE BS 4114 ALL EDGES WILL BE ROUNDED WITH 0.2mm COMMENTS: IF IN DOUBT ASK!		Adrian Bogdan	02/08/2016	Final drawing product	
FINISH			CHECKED	DATE	TITLE:	
				-/-	Self closer	
			DIMENSIONS ARE IN mm DO NOT SCALE DRAWING		SIZE	DRG/PART. No.
					A4	30701
					REV	01
					SCALE: NTS	WEIGHT:
					SHEET: 2/2	