

STRAIGHTAWAY 100

Minimum door thickness: 30mm
Maximum door thickness: 50mm

Maximum door weight: 100kg

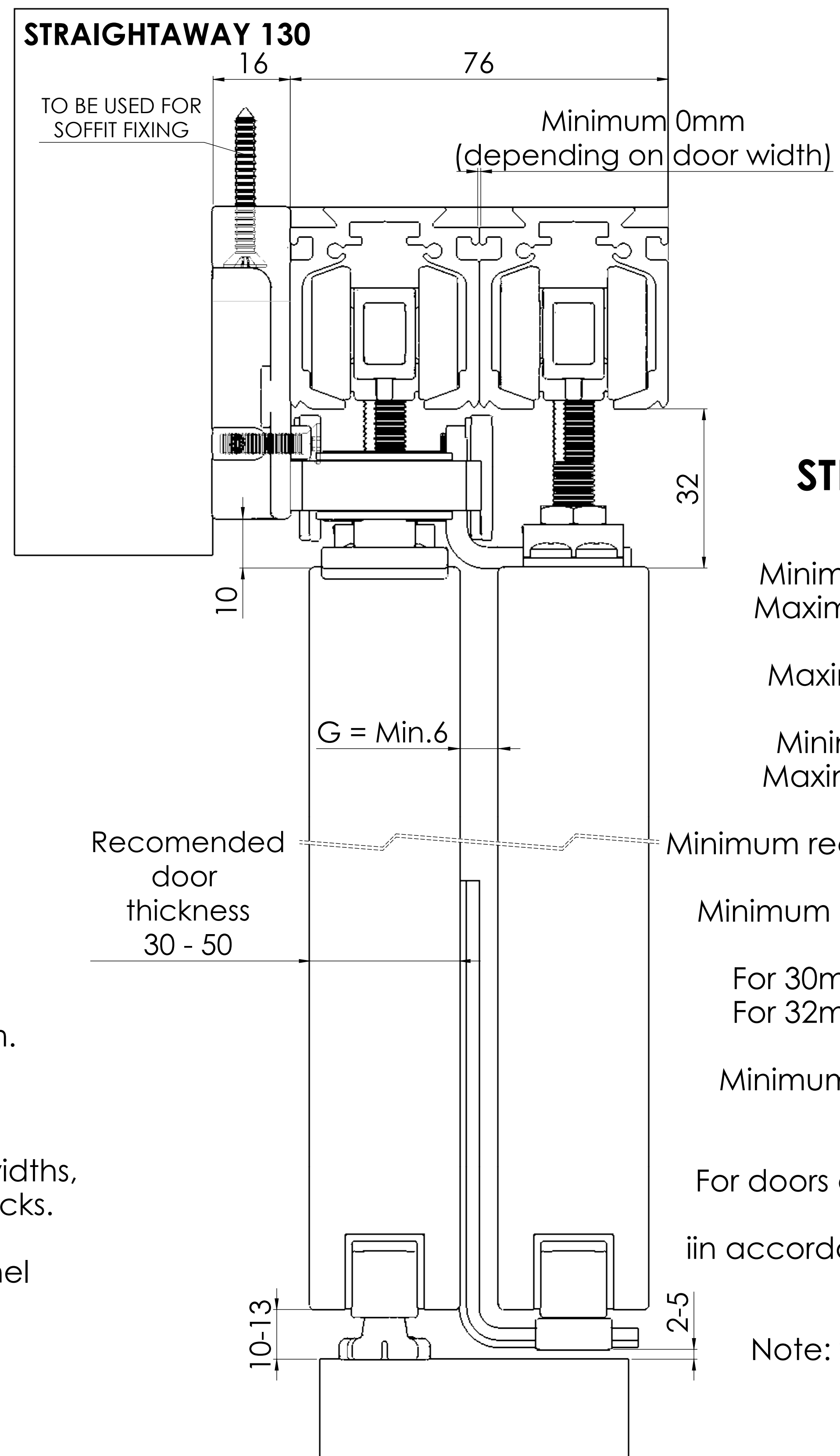
Minimum door width: 500mm
Maximum door width: 1500mm

Minimum recommended Overlap(OL): 30mm.

Minimum recommended gap (G) is 6mm.

Minimum gap can be achieved with all door widths, in accordance with the gap between the tracks.

Note: we recommend using the 43-2 Channel



STRAIGHTAWAY 130

Minimum door thickness: 30mm
Maximum door thickness: 50mm

Maximum door weight: 130kg

Minimum door width: 500mm
Maximum door width: 1500mm

Minimum recommended Overlap(OL): 30mm.

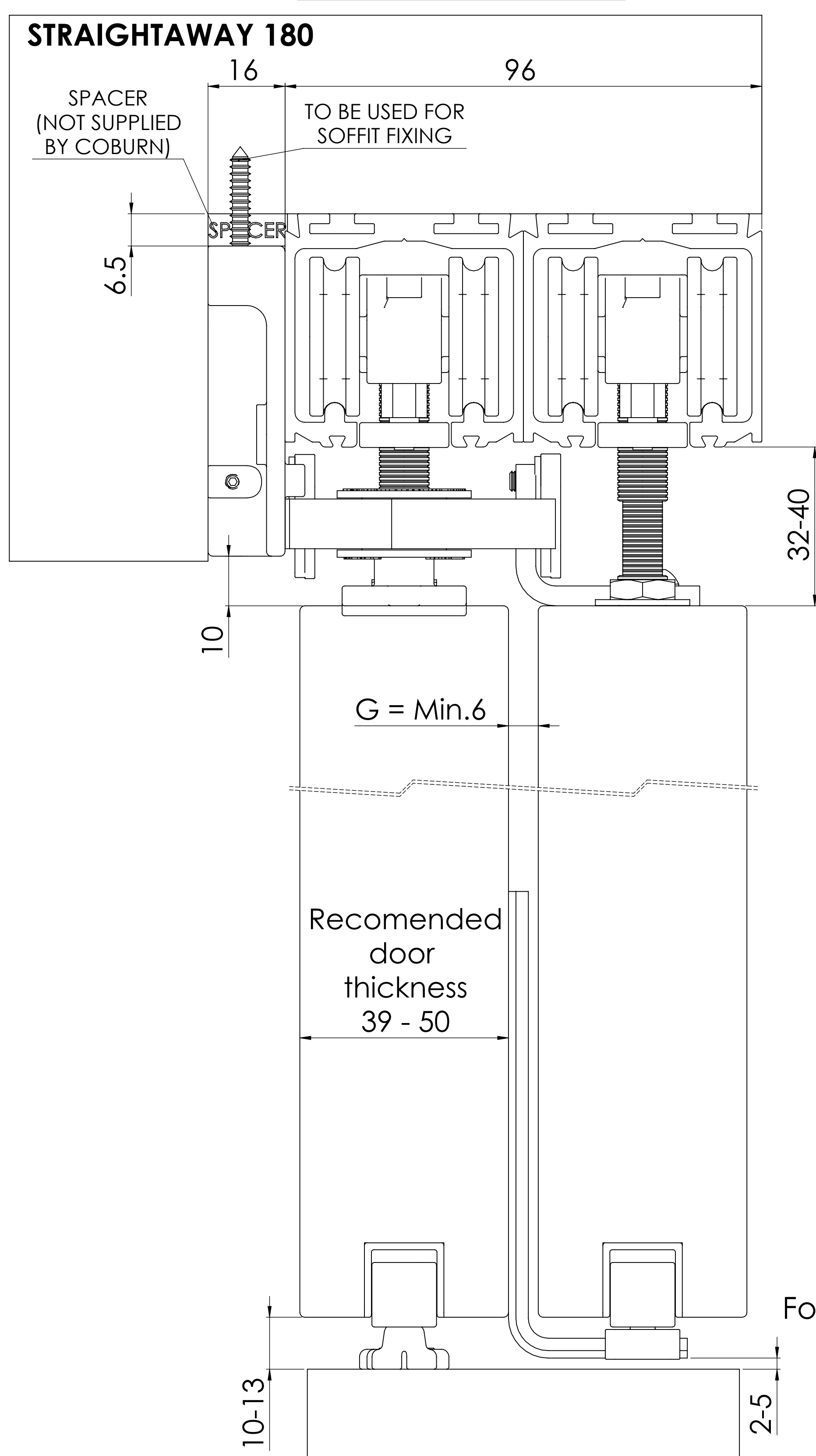
Minimum recommended gap (G) is 6mm.

For 30mm door thick min. G = 8mm
For 32mm door thick min. G = 6mm

Minimum gap can be achieved with doors over 32mm.

For doors over 32mm a gap must be left between the tracks in accordance with the required gap(G) between doors.

Note: we recommend using the 43-2 Channel



STRAIGHTAWAY 180

Minimum door thickness: 39mm
Maximum door thickness: 50mm

Maximum door weight: 180kg

Minimum door width: 500mm
Maximum door width: 1500mm

Minimum recommended Overlap(OL): 30mm.

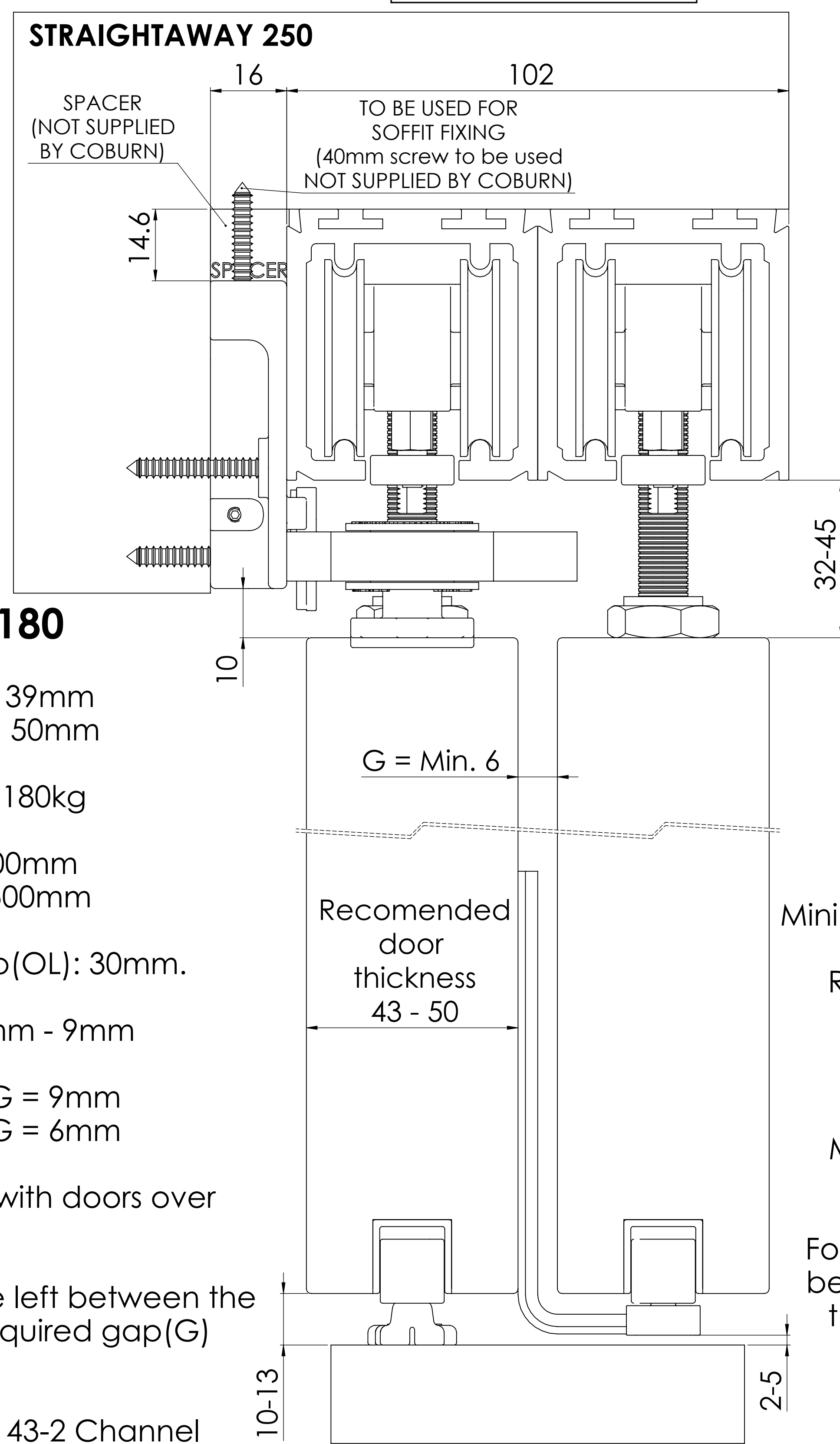
Recommended Gap(G) = 6mm - 9mm

For 39mm door thick min. G = 9mm
For 45mm door thick min. G = 6mm

Minimum gap can be achieved with doors over 45mm.

For doors over 45mm a gap must be left between the tracks in accordance with the required gap(G) between doors.

Note: we recommend using the 43-2 Channel



STRAIGHTAWAY 250

Minimum door thickness: 43mm
Maximum door thickness: 50mm

Maximum door weight: 250kg

Minimum door width: 500mm
Maximum door width: 1500mm

Minimum recommended Overlap(OL): 30mm

Recommended Gap(G) = 6mm - 8mm

For 43mm door thick min. G = 8mm
For 47mm door thick min. G = 6mm

Minimum gap can be achieved with doors over 47mm.

For doors over 47mm a gap must be left between the tracks in accordance with the required gap(G) between doors.

Note: we recommend using the 43-2 Channel