

Fig 1 : Example of pocket door set up with sliding panels linked together

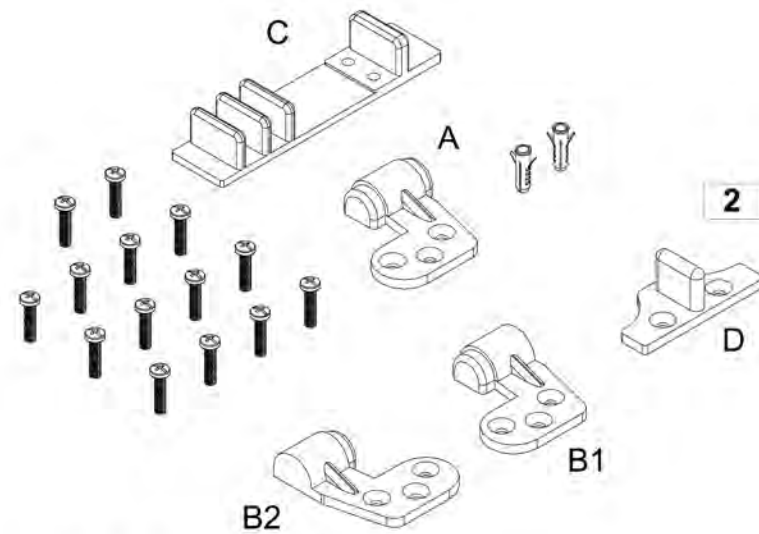


Fig 2 : Component parts

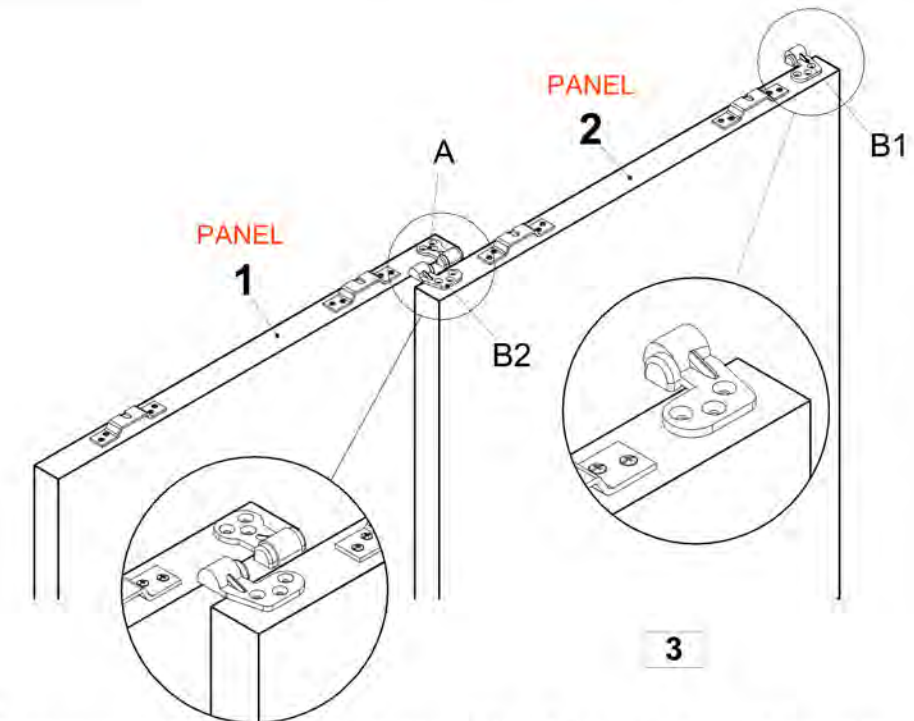
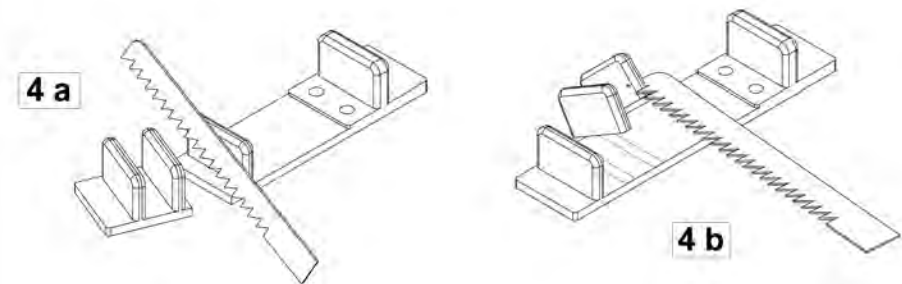
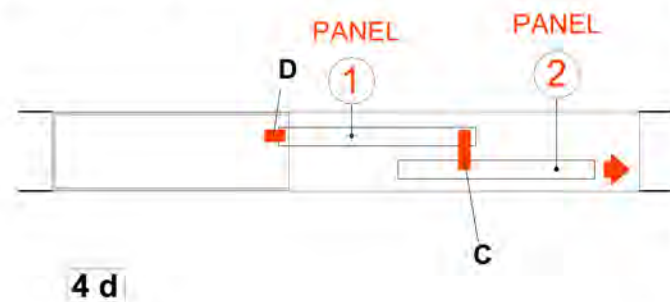
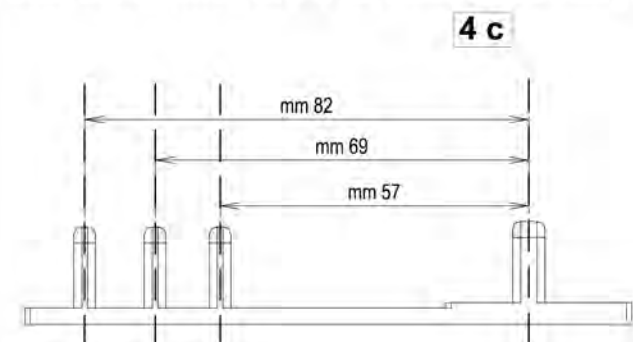


Fig 3 : Taking account of the thickness of the door panels and the gap between them, (see Fig. 4c - for door panel centres), fix the two buffer brackets B1 and B2 on the top edge of Panel 2 with the rubber buffers facing towards each other. Then fix buffer bracket A on Panel 1 as shown so that it aligns with B1 and B2 when the doors are operated. The correct positioning of buffer bracket B1 will ensure the front edges of both doors are vertically aligned when fully opened.



Figs. 4a, 4b, 4c, 4d : Front guide **C** ensures the two door panels will run parallel to each other, and allows for panels of different thicknesses with guide blades at 57mm, 69mm, and 82mm centres. Depending on the thickness of the door panels; cut the down the front guide **C** and fit to the base of **Panel 1**.

Fix the bottom guide **D** to the floor ensuring it will be clear of guide **C** when the door panels are in the fully open position, and also that it retains the door panel when in the fully closed position..



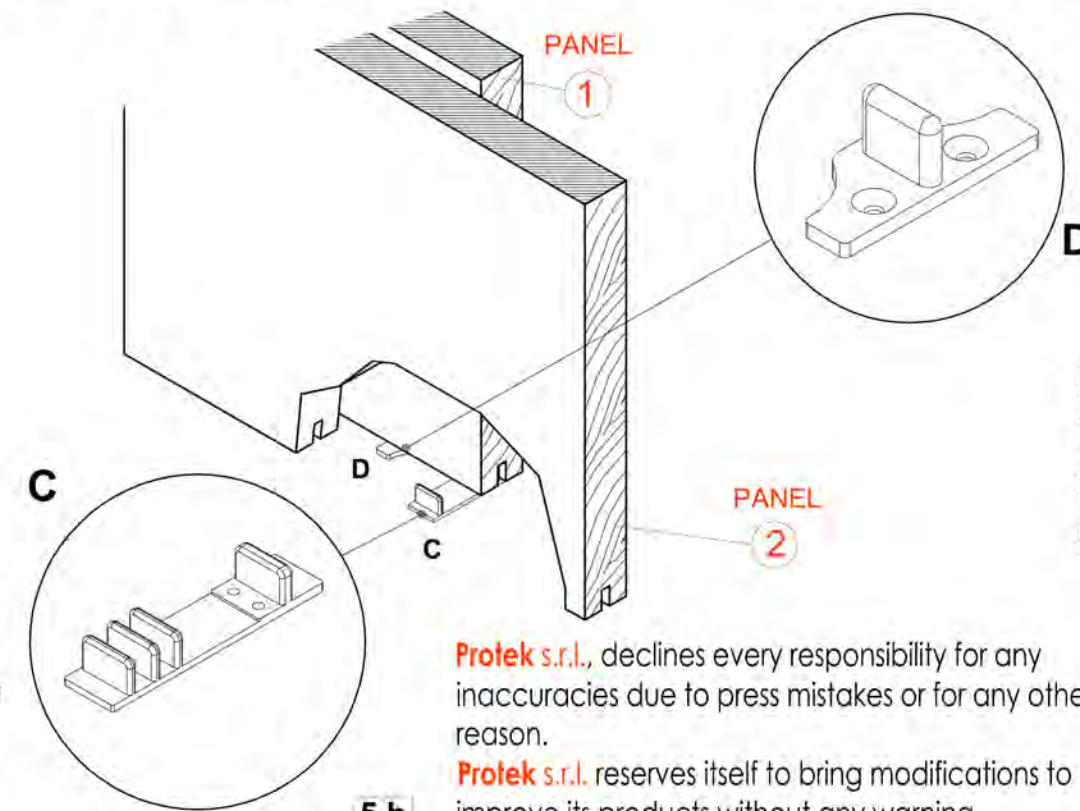
Notes:

Door Tracks.

The special bottom guide supplied in this kit allows for doors of various thicknesses. (See Fig 4c). To ensure doors are plumb and parallel the top tracks must be spaced at the same centres as the bottom guide blades.

Door Panels.

For any given opening size, remember to allow for the central overlap and sufficient overlap at the jamb to accommodate the guides C and D when Panel 1 is in the fully open position.



5 b

Protek s.r.l., declines every responsibility for any inaccuracies due to press mistakes or for any other reason.
Protek s.r.l. reserves itself to bring modifications to improve its products without any warning.

PROTEK s.r.l., Via Bernini n° 36 20865 Usmate-Velate (MB) - Italy
Web: www.protek-controtelai.com e-mail: info@protek-controtelai.it