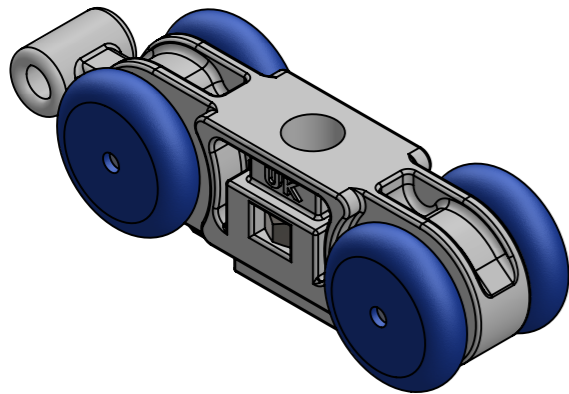
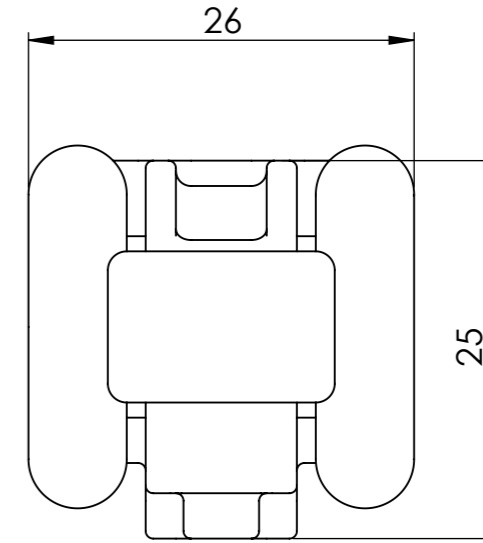
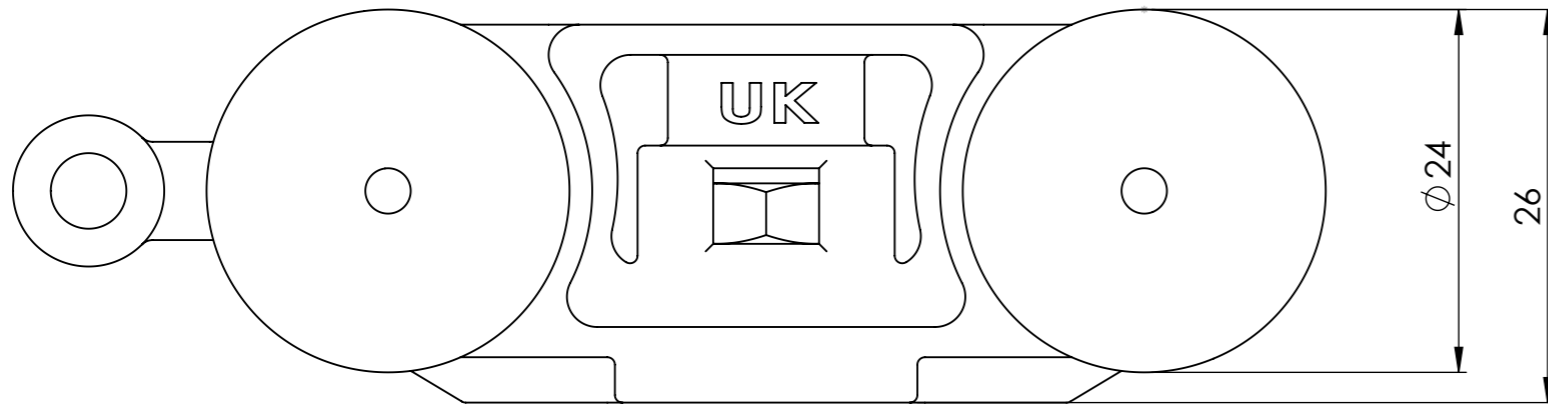
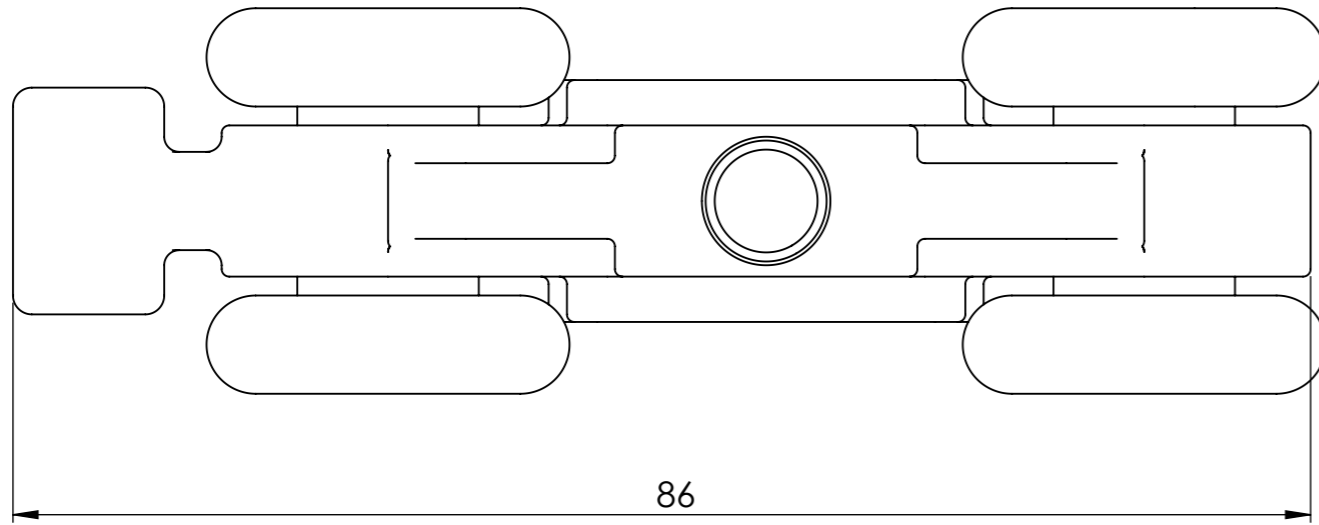


Scale 1:3

ITEM NO.	PART NUMBER	DESCRIPTION	QTY.
1	01200.66	Straightaway 100 - Hanger - Rev.01	2
2	11134.01	Door plate - Rev.01	2
3	11133.01	PENDANT BOLT	2
4	03025.108	Hexagon Thin Nut ISO - 4035 - M8 - N	4
5	03002.22	Screw pack	8
6	06426.49	FITTING INSTRUCTIONS FOR STRAIGHTAWAY 100	

<p>COBURN SLIDING SYSTEMS LIMITED Unit 1, Cardinal way, Cardinal west, Godmanchester, PE29 2XN, UK</p> <p>TEL: +44 (0)20 8545 6680 FAX: +44 (0)20 8545 6720 E-Mail: sales@coburn.co.uk Web: www.coburn.co.uk</p> <p>© COPYRIGHT COBURN SLIDING SYSTEMS LIMITED</p> <p>THE INFORMATION CONTAINED IN THIS DRAWING IS THE SOLE PROPERTY OF <COBURN SLIDING SYSTEMS LIMITED>. ANY REPRODUCTION IN PART OR AS A WHOLE WITHOUT THE WRITTEN PERMISSION OF <COBURN SLIDING SYSTEMS LIMITED> IS PROHIBITED.</p>	MATERIAL	<p>UNLESS OTHERWISE SPECIFIED:</p> <p>DIMENSION(mm) TOLERANCE</p> <p>ZERO PL DECIMAL ±0.2 ONE PL DECIMAL ±0.1 TWO PL DECIMAL ±0.05</p> <p>ANGULAR TOLERANCE ±0.5°</p> <p>FORGING TOLERANCE SEE BS 4114</p> <p>ALL EDGES WILL BE ROUNDED WITH 0.2mm</p> <p>COMMENTS:</p> <p style="text-align: center;">IF IN DOUBT ASK!</p>	DRAWN Adrian Bogdan	DATE 27/09/2016	FILE DRG. No. Final drawing product
	FINISH		CHECKED	DATE -/-	TITLE: STRAIGHTAWAY 100 HANGER PACK
				DIMENSIONS ARE IN mm DO NOT SCALE DRAWING	SIZE A4
					DRG/PART. No. 01207
					REV 01
					SCALE: NTS WEIGHT: SHEET: 1/1



Scale 1:1

<p>COBURN SLIDING SYSTEMS LIMITED Unit 1, Cardinal way, Cardinal west, Godmanchester, PE29 2XN, UK</p> <p>TEL: +44 (0)20 8545 6680 FAX: +44 (0)20 8545 6720 E-Mail: sales@coburn.co.uk Web: www.coburn.co.uk</p> <p>© COPYRIGHT COBURN SLIDING SYSTEMS LIMITED</p> <p>THE INFORMATION CONTAINED IN THIS DRAWING IS THE SOLE PROPERTY OF <COBURN SLIDING SYSTEMS LIMITED>. ANY REPRODUCTION IN PART OR AS A WHOLE WITHOUT THE WRITTEN PERMISSION OF <COBURN SLIDING SYSTEMS LIMITED> IS PROHIBITED.</p>	MATERIAL	<p>UNLESS OTHERWISE SPECIFIED:</p> <p>DIMENSION(mm) TOLERANCE</p> <p>ZERO PL DECIMAL ±0.2</p> <p>ONE PL DECIMAL ±0.1</p> <p>TWO PL DECIMAL ±0.05</p> <p>ANGULAR TOLERANCE ±0.5°</p> <p>FORGING TOLERANCE SEE BS 4114</p> <p>ALL EDGES WILL BE ROUNDED WITH 0.2mm</p> <p>COMMENTS:</p> <p style="text-align: center;">IF IN DOUBT ASK!</p>		DRAWN Adrian Bogdan	DATE 27/09/2016	FILE DRG. No. Final drawing product		
	FINISH	CHECKED	DATE -/-	TITLE: STRAIGHTAWAY 100 HANGER		SIZE A4	DRG/PART. No.	REV 01
				DIMENSIONS ARE IN mm DO NOT SCALE DRAWING		SCALE: NTS	WEIGHT:	SHEET: 2/2