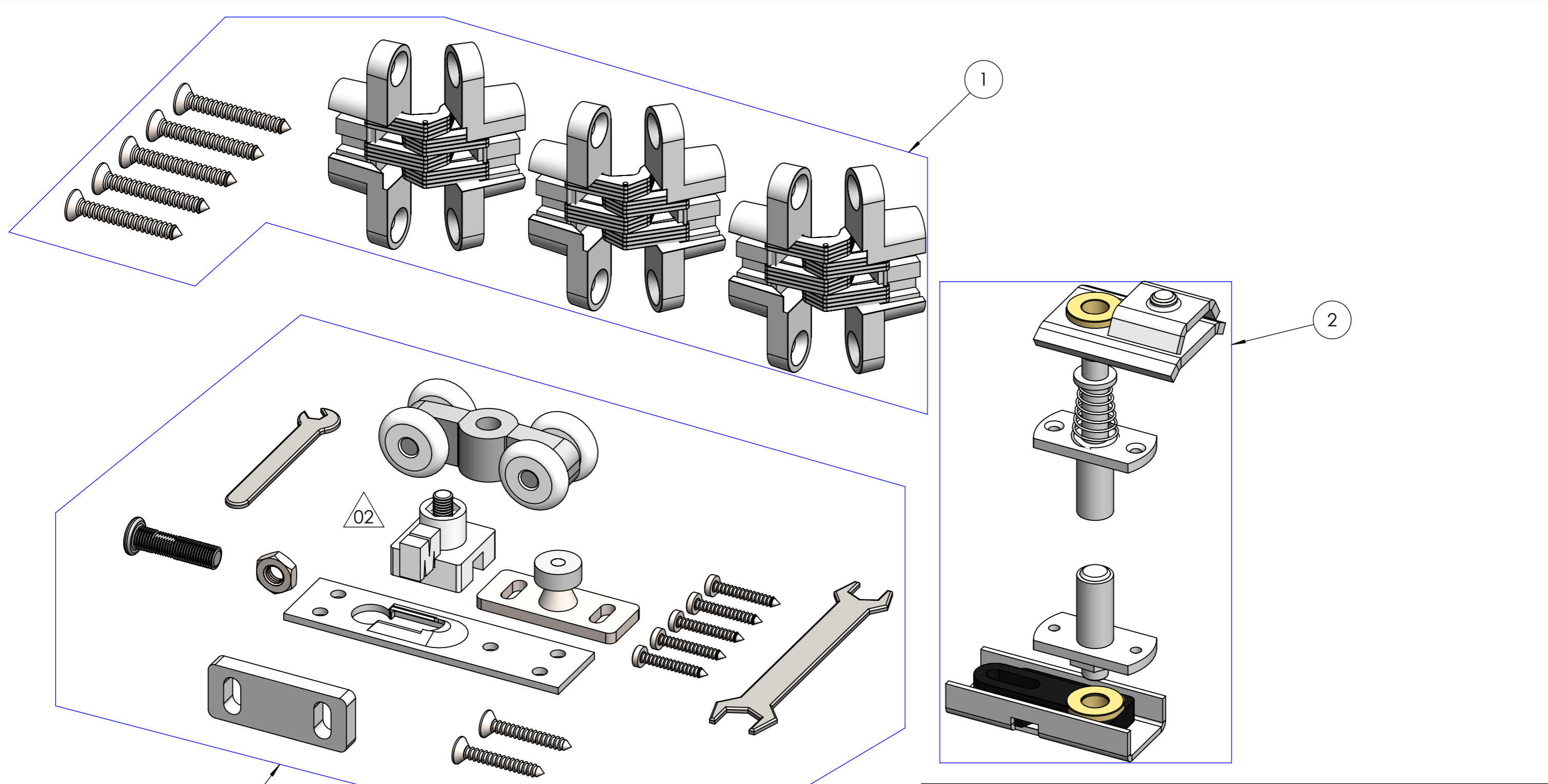


8 7 6 5 4 3 2 1

F  
E  
D  
C  
B  
A

F  
E  
D  
C  
B  
A



ITEM NO.	PART NUMBER	DESCRIPTION	QTY.
1	95523	Concealed hinges, pack of 3 - Rev.01	1
2	95508	TOP AND BOTTOM JAMB PIVOTS	1
3	01050.02	FOLDASIDE 30 HANGER PACK(2&3 DOOR) - Rev.01	1

Revision	Modification
02	1-01050.02 now includes track stop

<b>COBURN SLIDING SYSTEMS LIMITED</b> Unit 1, Cardinal west, Godmanchester, PE29 2XN United Kingdom  TEL: +44 (0)20 8545 6680 FAX: +44 (0)20 8545 6720 E-Mail: sales@coburn.co.uk Web: www.coburn.co.uk	UNLESS OTHERWISE SPECIFIED: <b>DIMENSION(mm) TOLERANCE</b> ZERO PL DECIMAL ±0.2 ONE PL DECIMAL ±0.1 TWO PL DECIMAL ±0.05  ANGULAR TOLERANCE ±0.5° FORGING TOLERANCE SEE BS EN 10243 ALL EDGES WILL BE ROUNDED WITH 0.2mm  COMMENTS: IF IN DOUBT ASK!	MATERIAL	DRAWN by: Adrian BOGDAN DATE: 05/07/2017	DRAWING TYPE Final part drawing	
		FINISH	CHECKED by: - DATE: -	TITLE: <b>FOLDASIDE 30 2 DOOR FITTING PACK</b>	
© COPYRIGHT COBURN SLIDING SYSTEMS LIMITED <small>THE INFORMATION CONTAINED IN THIS DRAWING IS THE SOLE PROPERTY OF &lt;COBURN SLIDING SYSTEMS LIMITED&gt;. ANY REPRODUCTION IN PART OR AS A WHOLE WITHOUT THE WRITTEN PERMISSION OF &lt;COBURN SLIDING SYSTEMS LIMITED&gt; IS PROHIBITED.</small>		FIRST ANGLE PROJECTION 	SIZE <b>A3</b>	DWG NO. <b>01231</b>	REV. <b>02</b>
			SCALE: 1:1	WEIGHT:	SHEET 1 / 1

8 7 6 5 4 3 2 1