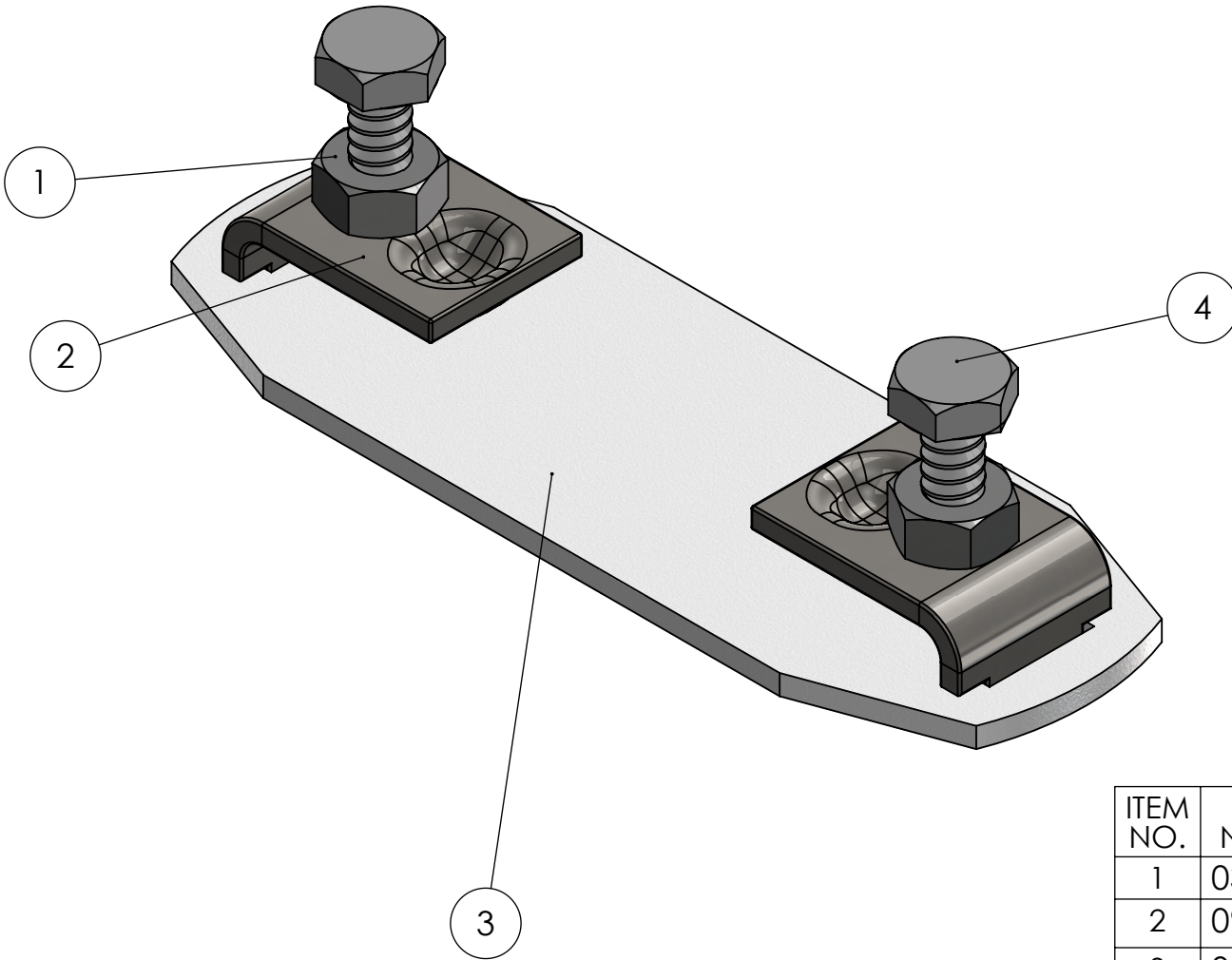


6 5 4 3 2 1

D

D



C

C

B

B

A

A

ITEM NO.	PART NUMBER	DESCRIPTION	QTY.
1	03024.06	NUT 2B.A. HEX	2
2	09147.01	Lock joint clamp - Rev.01	2
3	09141.01	LOCK JOINT PLATE	1
4	03012.29	M6x19 HEX HD S/SCREW	2

**COBURN SLIDING SYSTEMS LIMITED**

Unit 1, Cardinal west,  
Godmanchester, PE29 2XN  
United Kingdom

TEL: +44 (0)20 8545 6680  
FAX: +44 (0)20 8545 6720  
E-Mail: sales@coburn.co.uk  
Web: www.coburn.co.uk

© COPYRIGHT COBURN SLIDING SYSTEMS LIMITED  
THE INFORMATION CONTAINED IN THIS DRAWING IS THE  
SOLE PROPERTY OF <COBURN SLIDING SYSTEMS LIMITED>. ANY  
REPRODUCTION IN PART OR AS A WHOLE WITHOUT THE WRITTEN  
PERMISSION OF <COBURN SLIDING SYSTEMS LIMITED> IS PROHIBITED.

**UNLESS OTHERWISE SPECIFIED:**

**DIMENSION(mm) TOLERANCE**  
 ZERO PL DECIMAL ±0.2  
 ONE PL DECIMAL ±0.1  
 TWO PL DECIMAL ±0.05  
 ANGULAR TOLERANCE ±0.5°  
 FORGING TOLERANCE SEE BS EN 10243

ALL EDGES WILL BE ROUNDED WITH 0.2mm

COMMENTS: IF IN DOUBT ASK!

MATERIAL

FINISH



FIRST ANGLE PROJECTION

DRAWN by:  
Adrian BOGDAN

DATE:  
12/05/2017

CHECKED by:

DATE:

SIZE  
**A4**

DRAWING TYPE

Final part drawing

TITLE:

**LOCK JOINT KIT**

DWG NO.

**02002**

REV.

**01**

SCALE: 2:1

WEIGHT:

SHEET 1 / 1

6 5 4 3 2 1