

8 7 6 5 4 3 2 1

F

F

E

E

D

D

C

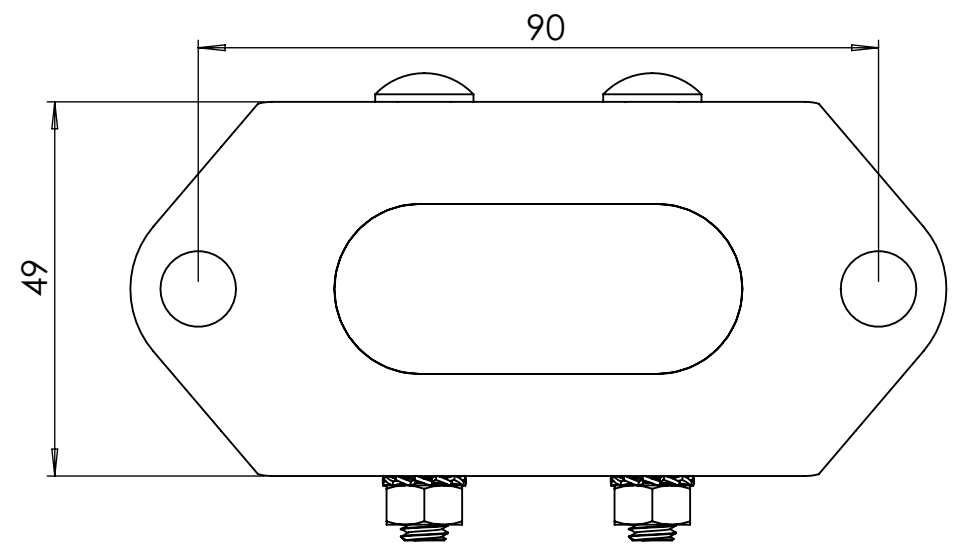
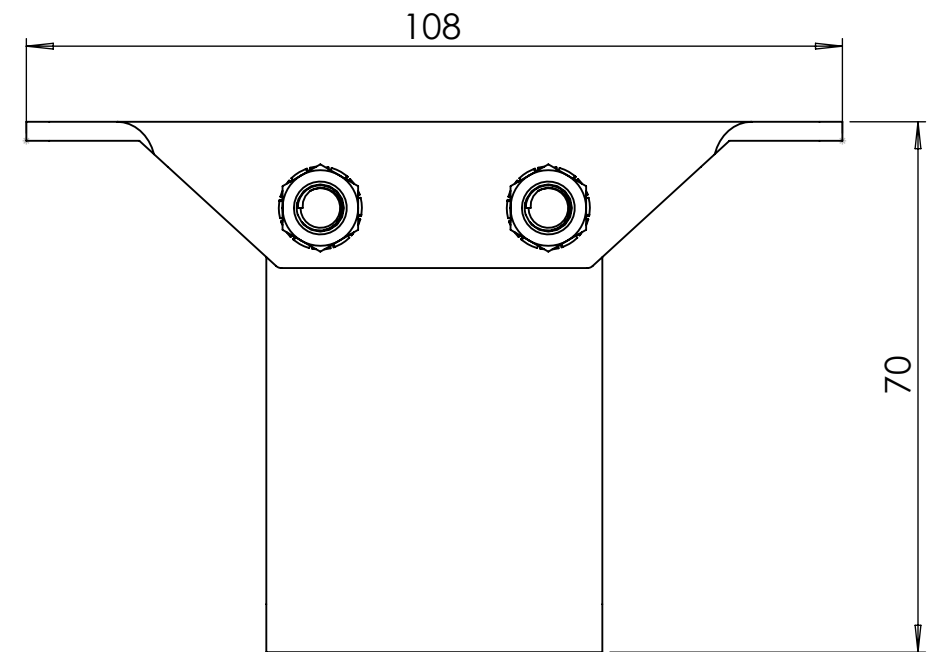
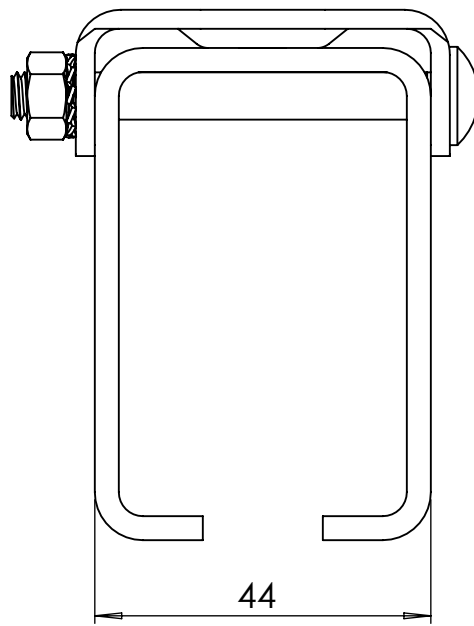
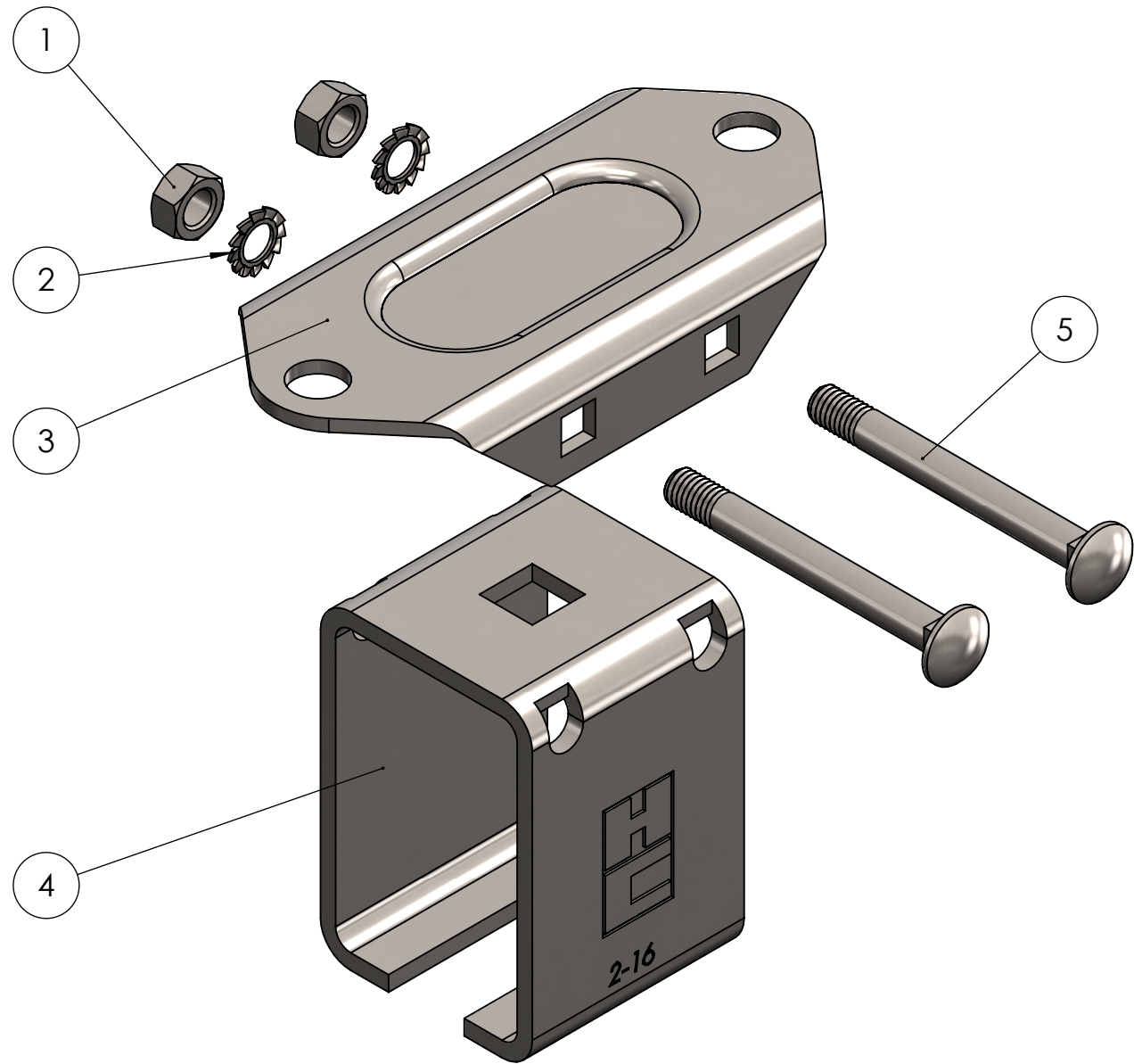
C

B

B

A

A



ITEM NO.	PART NUMBER	DESCRIPTION	QTY.
1	03024.106	Nut M6 - Rev.02	2
2	03029.128	WASHER, OVERLAP EXT TOOTH, 6.4mm x 11mm x.7mm, 18-8SS	2
3	09161.02	TOP PLATE UNIVERSAL SOOFFIT BRACKET	1
4	09165.02	SOFFIT bracket LOWER PART - Rev.08	1
5	09653.02	M6 CUP SQUARE BOLT	2

COBURN SLIDING SYSTEMS LIMITED Unit 1, Cardinal west, Godmanchester, PE29 2XN United Kingdom TEL: +44 (0)20 8545 6680 FAX: +44 (0)20 8545 6720 E-Mail: sales@coburn.co.uk Web: www.coburn.co.uk © COPYRIGHT COBURN SLIDING SYSTEMS LIMITED THE INFORMATION CONTAINED IN THIS DRAWING IS THE SOLE PROPERTY OF <COBURN SLIDING SYSTEMS LIMITED>. ANY REPRODUCTION IN PART OR AS A WHOLE WITHOUT THE WRITTEN PERMISSION OF <COBURN SLIDING SYSTEMS LIMITED> IS PROHIBITED.	UNLESS OTHERWISE SPECIFIED: DIMENSION(mm) TOLERANCE ZERO PL DECIMAL ±0.2 ONE PL DECIMAL ±0.1 TWO PL DECIMAL ±0.05 ANGULAR TOLERANCE ±0.5° FORGING TOLERANCE SEE BS EN 10243 ALL EDGES WILL BE ROUNDED WITH 0.2mm	MATERIAL FINISH FIRST ANGLE PROJECTION	DRAWN by: Adrian BOGDAN DATE: 15/05/2017 CHECKED by: - DATE: - SIZE A3	DRAWING TYPE Final part drawing TITLE: UNIVERSAL SOFFIT BRACKET FOR 2-16 TRACK DWG NO. 02150 REV. 01	SCALE: 1:1 WEIGHT: SHEET 1 / 1
	COMMENTS: IF IN DOUBT ASK!				

8 7 6 5 4 3 2 1