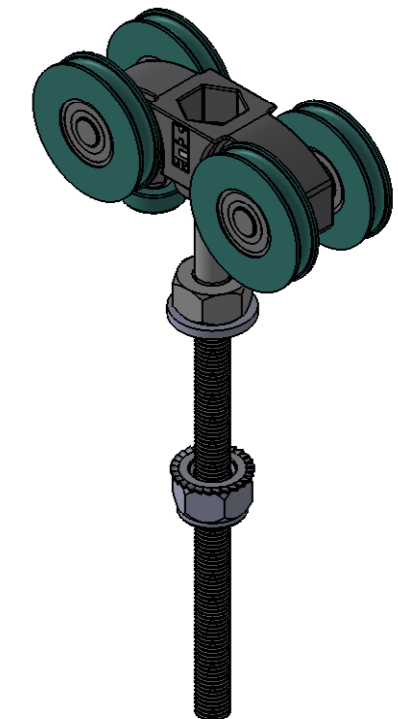
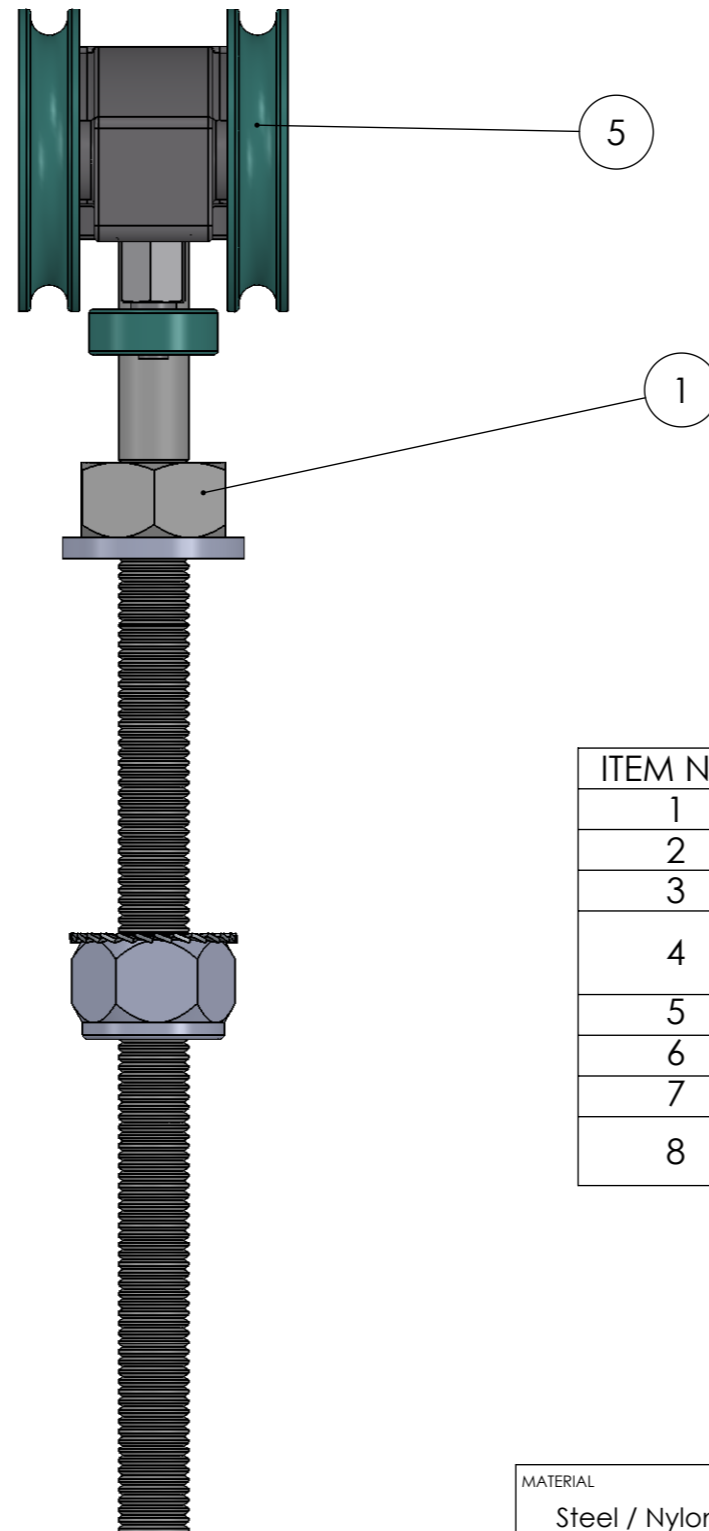
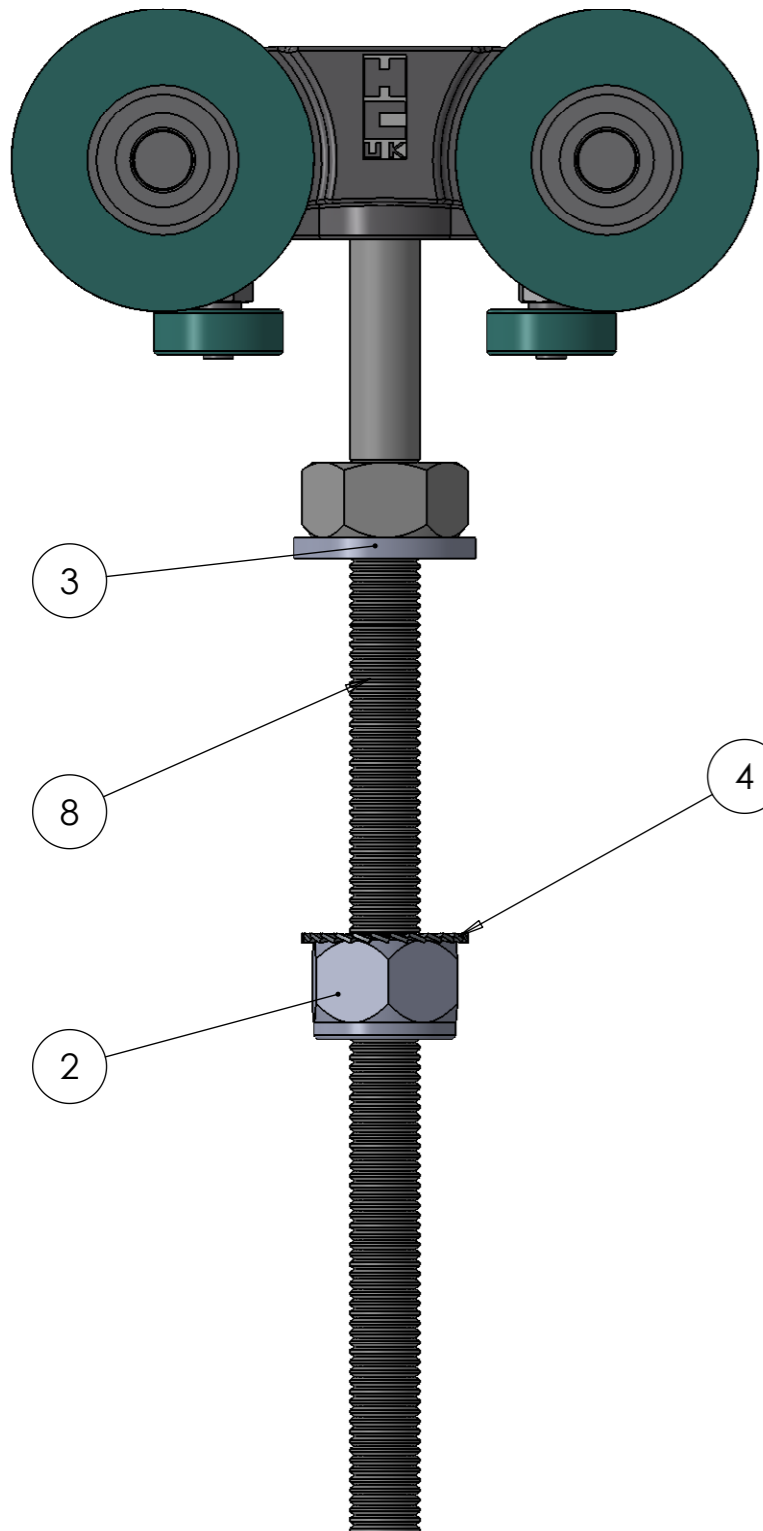


Revisions			
Rev	Modification No	Date	Approved
01	M-3864	15/08/13	MUS



ITEM NO.	PART NUMBER	DESCRIPTION	QTY.
1	03025.123	M12 HEX. NUT	2
2	03026.112	M12 STATITE LOCK NUT	2
3	03028.121	BRIGHT WASHER M12 (FORM B)	2
4	03029.135	WASHER, OVERLAP EXT TOOTH, 6.4mm x 11mm x.7mm, 18-8SS	2
5	02200.39	New No 2 Nylon wheel hanger	2
6	06426.07	Hanger Fitting Instruction	1
7	061 labour	pack in pairs	1.98 hr
8	09021.156	PENDANT BOLT	1

New Hanger Assembly



HILLALDAM COBURN LTD
 UNIT 16, MERTON INDUSTRIAL PARK
 LEE ROAD, LONDON
 SW19 3HX,
 UK
 TEL:+44 (02)0 8545 6680 FAX:+44 (02)0 8545 6723
 E-Mail:sales@hillaldam.co.uk
 Web:www.coburn.co.uk

MATERIAL Steel / Nylon/ Zinc	UNLESS OTHERWISE SPECIFIED: DIMENSION(mm) TOLERANCE ZERO PL DECIMAL ±0.2 ONE PL DECIMAL ±0.1 TWO PL DECIMAL ±0.05	DRAWN MUS	DATE 31/01/2013	FILE DRG. No. 1/02257.01/
FINISH silver	ANGULAR TOLERANCE ±0.5° FORGING TOLERANCE SEE BS 4114	CHECKED MUS	DATE 31/01/2013	TITLE: 4 Wheel (Nylon) Hanger Pack metal doors ext. Pendant
COPYRIGHT HILLALDAM COBURN LTD © THE INFORMATION CONTAINED IN THIS DRAWING IS THE SOLE PROPERTY OF <HILLALDAM COBURN LTD>. ANY REPRODUCTION IN PART OR AS A WHOLE WITHOUT THE WRITTEN PERMISSION OF <HILLALDAM COBURN LTD> IS PROHIBITED.		DIMENSIONS ARE IN mm DO NOT SCALE DRAWING		SIZE A4
COMMENTS: REMOVE ALL SHARP EDGES AND BURRS		DRG/PART. No. 02-257		REV 01
SCALE: NTS		WEIGHT:		SHEET: 1/1