

8 7 6 5 4 3 2 1

F

F

E

E

D

D

C

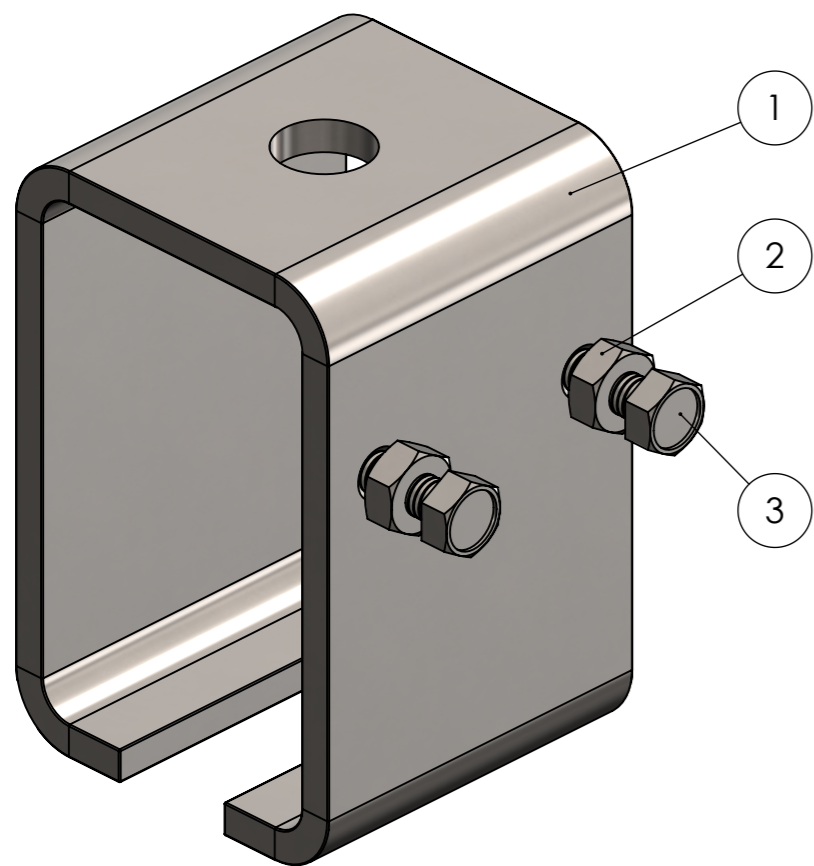
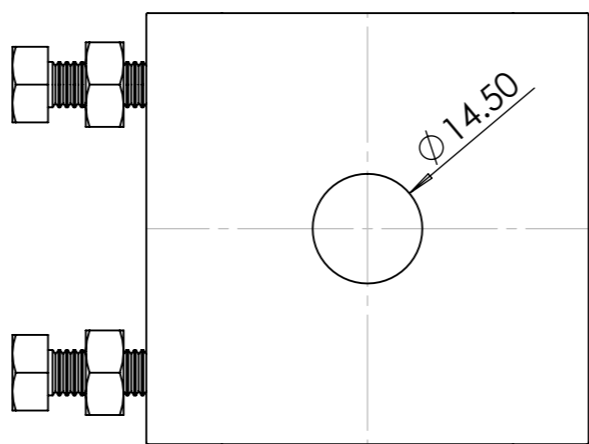
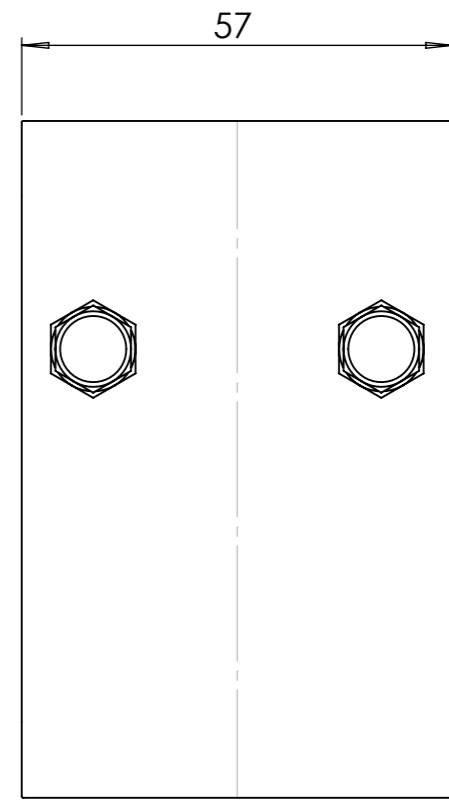
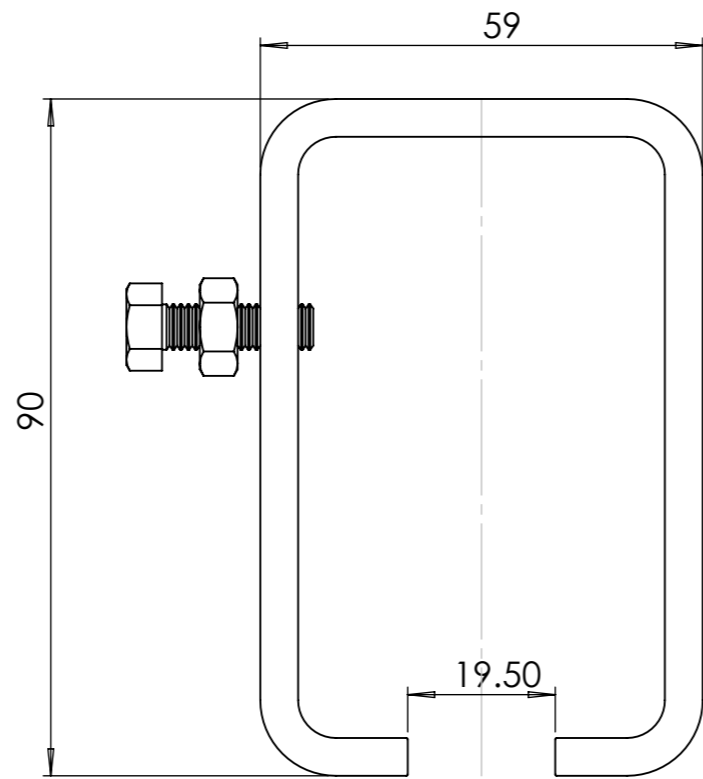
C

B

B

A

A



ITEM NO.	PART NUMBER	DESCRIPTION	QTY.
1	09212.04	SOFFIT LOCK JOINT BRACKET - DRILLING - Rev.04	1
2	03024.10	Metric hexagonal nut M6 - Rev.04	2
3	03013.01	Whitworth screw, hex head, zinc plated, 6.35x19.05 - Rev.06	2

COBURN SLIDING SYSTEMS LIMITED Unit 1, Cardinal west, Godmanchester, PE29 2XN United Kingdom TEL: +44 (0)20 8545 6680 FAX: +44 (0)20 8545 6720 E-Mail: sales@coburn.co.uk Web: www.coburn.co.uk	UNLESS OTHERWISE SPECIFIED: DIMENSION(mm) TOLERANCE ZERO PL DECIMAL ±0.2 ONE PL DECIMAL ±0.1 TWO PL DECIMAL ±0.05 ANGULAR TOLERANCE ±0.5° FORGING TOLERANCE SEE BS EN 10243 ALL EDGES WILL BE ROUNDED WITH 0.2mm	MATERIAL	DRAWN by: Adrian BOGDAN	DRAWING TYPE Final part drawing	
		FINISH	CHECKED by: -	TITLE: SOFFIT LOCK JOINT BRACKET FOR 3-20 AND 3-25 TRACK	
© COPYRIGHT COBURN SLIDING SYSTEMS LIMITED THE INFORMATION CONTAINED IN THIS DRAWING IS THE SOLE PROPERTY OF <COBURN SLIDING SYSTEMS LIMITED>. ANY REPRODUCTION IN PART OR AS A WHOLE WITHOUT THE WRITTEN PERMISSION OF <COBURN SLIDING SYSTEMS LIMITED> IS PROHIBITED.	COMMENTS: IF IN DOUBT ASK!	FIRST ANGLE PROJECTION	SIZE A3	DWG NO. 03192	REV. 02
			SCALE: 1:1	WEIGHT:	SHEET 1 / 1

8 7 6 5 4 3 2 1