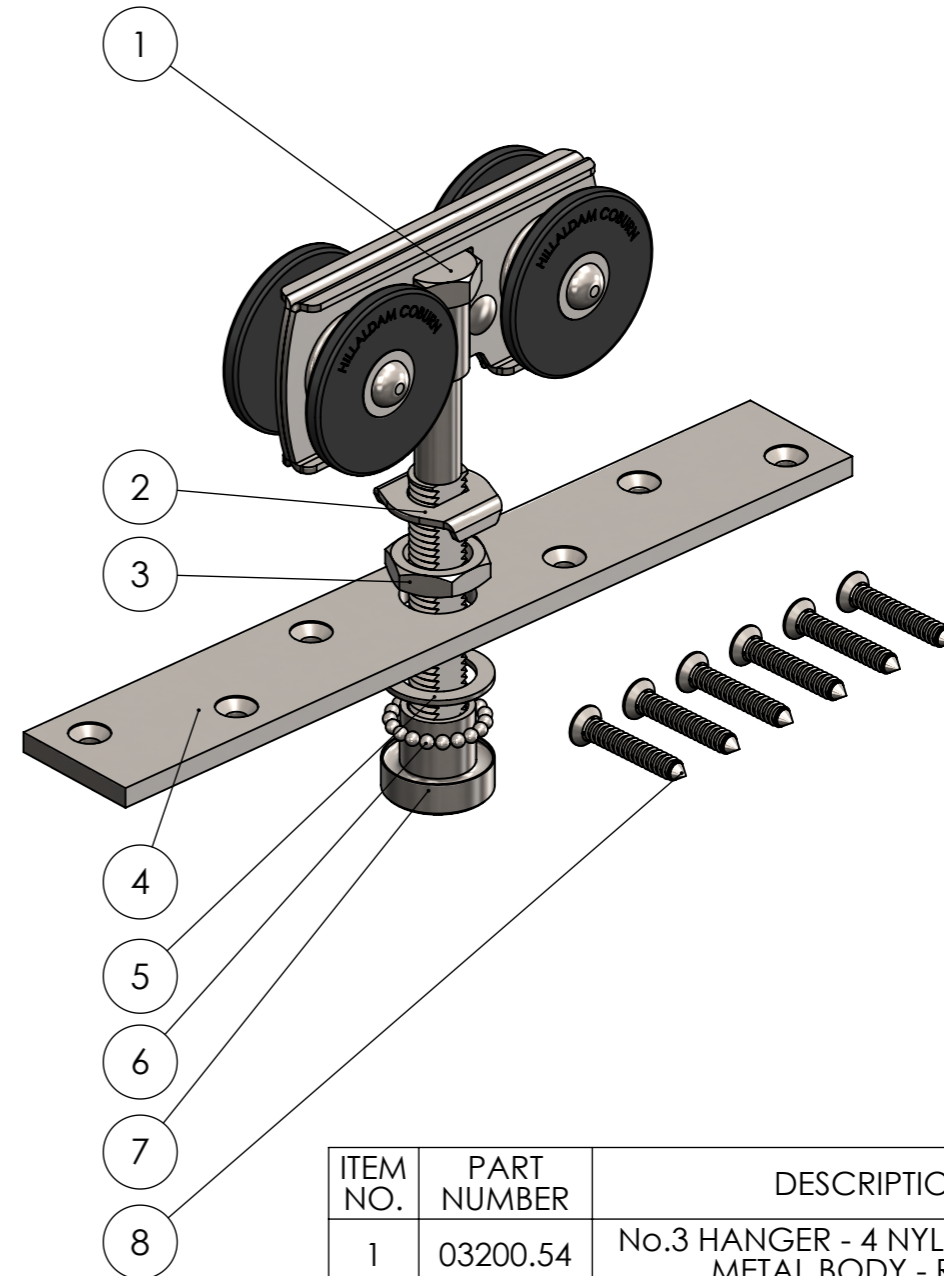
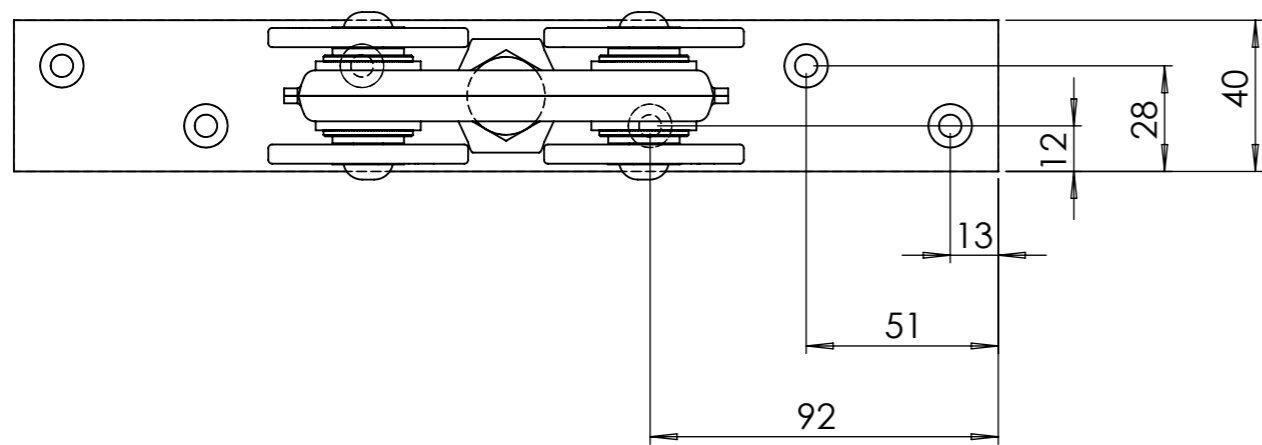
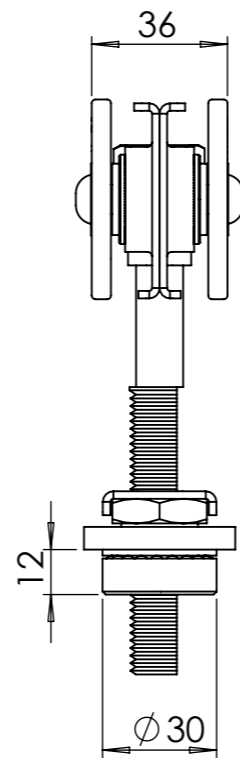
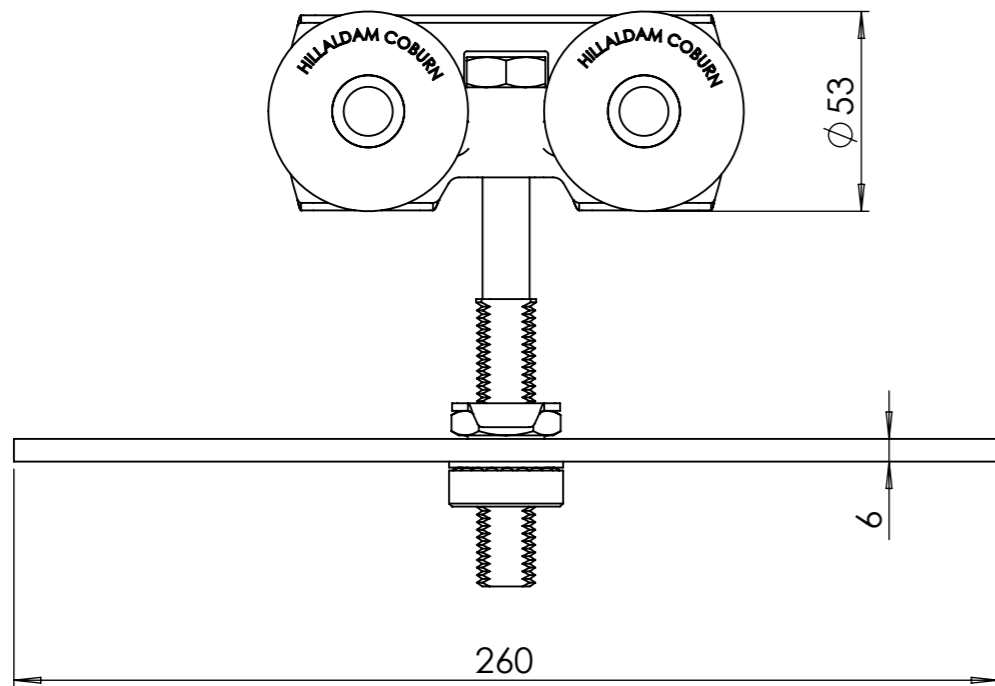


8 7 6 5 4 3 2 1



ITEM NO.	PART NUMBER	DESCRIPTION	QTY.
1	03200.54	No.3 HANGER - 4 NYLON WHEELS, METAL BODY - Rev.01	1
2	03029.102	WASHER - DOUBLE LIP '3' HANGER	1
3	03025.127	Metric locknut 20x0.8 - Rev.01	1
4	09206.02	TOP PLATE FOR 4 WHEEL HANGER '3' TRACK	1
5	03028.74	Washer 30.1x20.6x1.6 - Rev.02	1
6	03030.02	BALL BEARING 5/32"	19
7	04652.101	Cone for M16 - Rev.01	1
8	03000.87	AS-NZS 4407-ST6.3x38-C-H-S	6

COBURN SLIDING SYSTEMS LIMITED
 Unit 1, Cardinal west,
 Godmanchester, PE29 2XN
 United Kingdom
 TEL: +44 (0)20 8545 6680
 FAX: +44 (0)20 8545 6720
 E-Mail: sales@coburn.co.uk
 Web: www.coburn.co.uk

UNLESS OTHERWISE SPECIFIED:
DIMENSION(mm) TOLERANCE
 ZERO PL DECIMAL ±0.2
 ONE PL DECIMAL ±0.1
 TWO PL DECIMAL ±0.05
 ANGULAR TOLERANCE ±0.5°
 FORGING TOLERANCE SEE BS EN 10243
 ALL EDGES WILL BE ROUNDED WITH 0.2mm

MATERIAL
 FINISH
 SIZE
 FIRST ANGLE PROJECTION

DRAWN by:
 Adrian BOGDAN
 DATE:
 19/06/2017
 CHECKED by:
 DATE:

DRAWING TYPE
 Final part drawing
 TITLE:
 CENTAFOLD 350
 4 WHEEL HANGER
 DWG NO.
 03246
 REV.
 02

© COPYRIGHT COBURN SLIDING SYSTEMS LIMITED
 THE INFORMATION CONTAINED IN THIS DRAWING IS THE
 SOLE PROPERTY OF <COBURN SLIDING SYSTEMS LIMITED>. ANY
 REPRODUCTION IN PART OR AS A WHOLE WITHOUT THE WRITTEN
 PERMISSION OF <COBURN SLIDING SYSTEMS LIMITED> IS PROHIBITED.

COMMENTS: IF IN DOUBT ASK!

SCALE: 1:2 WEIGHT: SHEET 1 / 1

8 7 6 5 4 3 2 1

F
E
D
C
B
A

F
E
D
C
B
A