

1

2

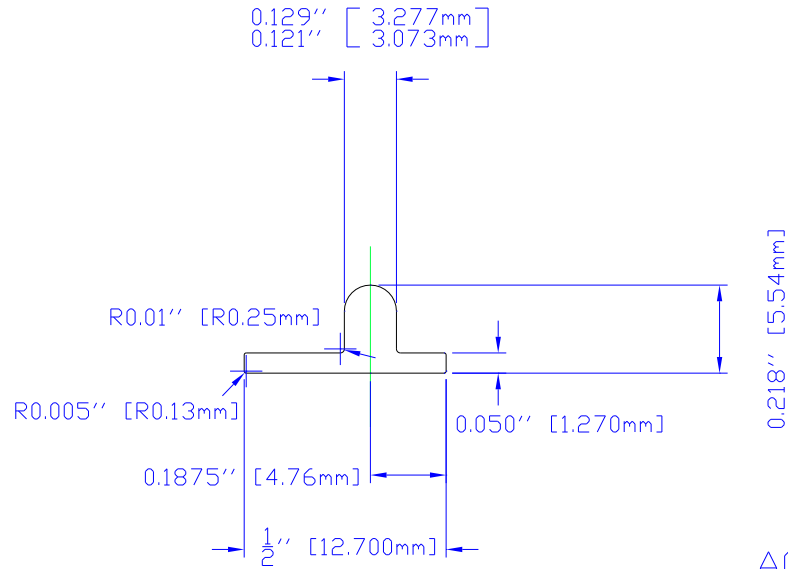
3

4

DRG No
A/4140.01/438
 DO NOT SCALE

	NAME	DATE
DRN	C.R.P.	09/02/67
CHKD		
QA		
ISSUE	MOD No	DATE
6		15/02/68
7		14/03/68
8		17/10/68
9		20/11/73

LENGTHS TO BE FLAT, STRAIGHT & FREE FROM
 TWIST ETC. CUT TO WITHIN ±.125° OF STATED
 SIZES



ACTUAL SIZE



CROSS SECT. AREA: 0.44" SQ. INS.
WEIGHT: .052 lb. PER. FT. (ESTIMATED)



HILLALDAM COBURN LTD
 UNIT 16, MERTON INDUSTRIAL PARK, LEE ROAD,
 LONDON, SW19 3HX ENGLAND.
 TEL: +44 20 8545 6680
 FAX: +44 20 8545 6720

CAD FILE No.
 COBURN\04140.01.DWG

FINISH

TOLERANCES
 DECIMALS ±0.005"
 FRACTIONS ±1/64"

SCALE
2:1
 DIMENSIONS IN "

MATERIAL
 ALLUMINIUM ALLOY EXTRUSION H.E.30 W.P.

METRIC ±0.2mm
 (UNLESS STATED)

COPYRIGHT HILLALDAM COBURN Ltd
 ALL RIGHTS RESERVED
 NO UNAUTHORISED COPYING

TITLE
TRACK NO.60-2

DRG No
A/4140.01/438