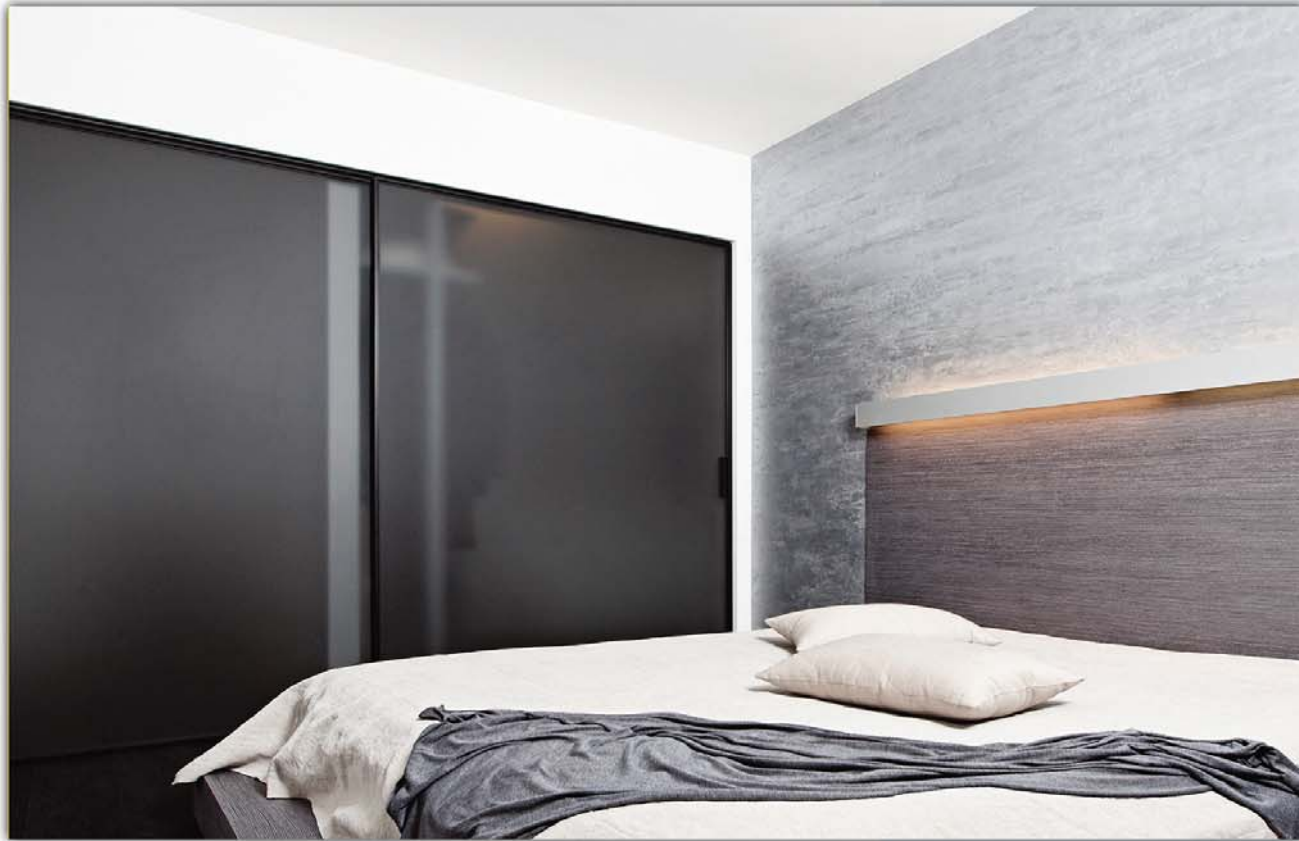




Jason 35

Sliding & Folding Door Systems



Product Overview

Jason 35 is a bottom rolling internal sliding door system for lightweight bi passing cupboard doors. It is suited to applications such as residences and offices and is an easy to fit reliable system.

Features

- Soffit fixed aluminium top channel
- Aluminium bottom track, recessed or surface mounted
- Side fixing rollers suit 16mm doors minimum
- Nylon edge fixing top guide
- Stoppers hidden inside track



Trackset



Slider



Stopper

Technical Specifications

- Maximum Door Weight: 35kg
- Door thickness: minimum 16mm
- Door height: maximum 1500mm
- Door width: maximum 1000mm
- Track Dimensions: 10mm (w) x 10mm (h)

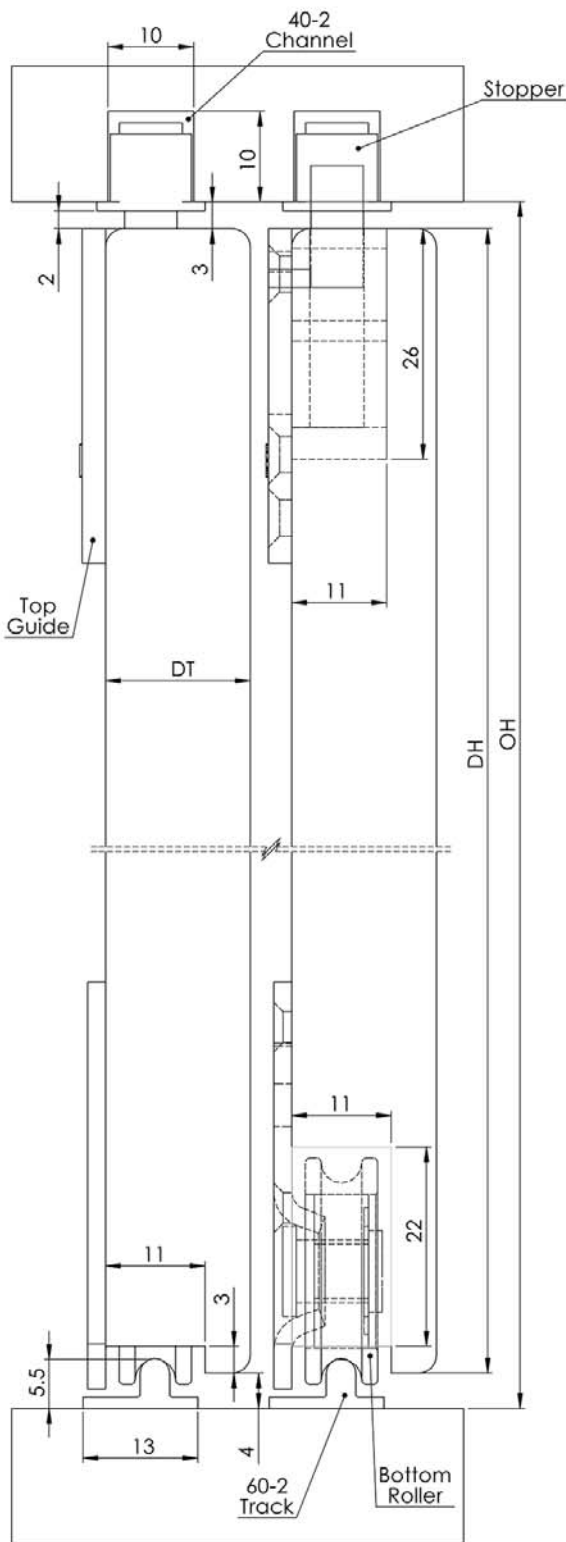


Bottom Roller



Jason 35

Side view



Maximum door weight 35kg

DH - Door Height - Maximum 1500mm

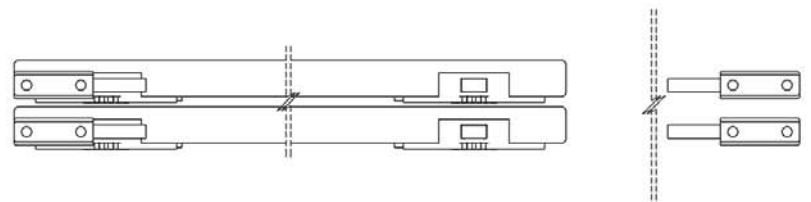
DWi - Door width - maximum 1000mm

DT - Door thickness, minimum 16mm

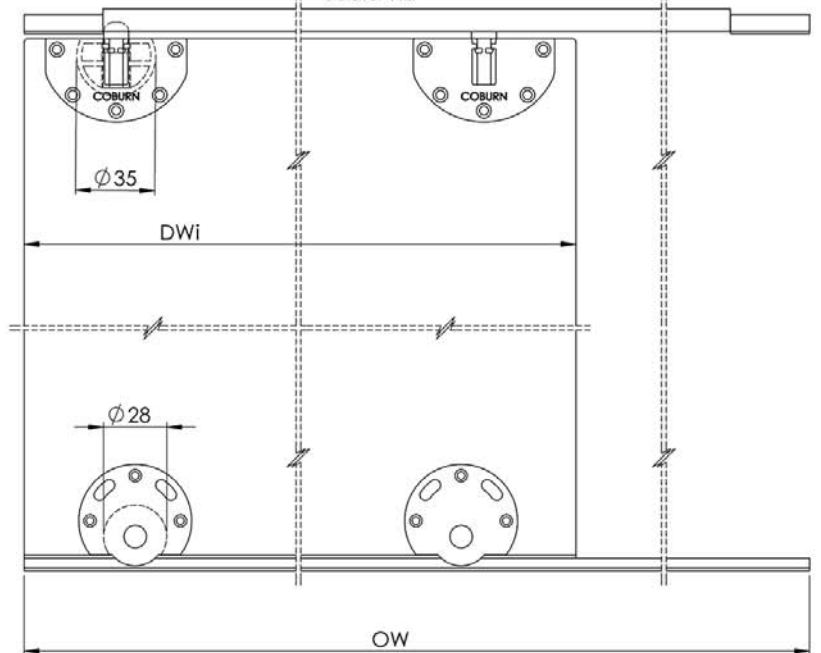
OW - Opening width

OH - Opening height

Top view
Scale 1:2



Front view
Scale 1:2



For further information on our products and services:

Tel: +44 (0)20 8545 6680 sales@coburn.co.uk www.coburn.co.uk

Coburn Sliding Systems LTD

Unit 1, Cardinal West, Cardinal Way, Cardinal Distribution Park.

Godmanchester, Huntingdon, Cambridgeshire, PE29 2XN United Kingdom.

