

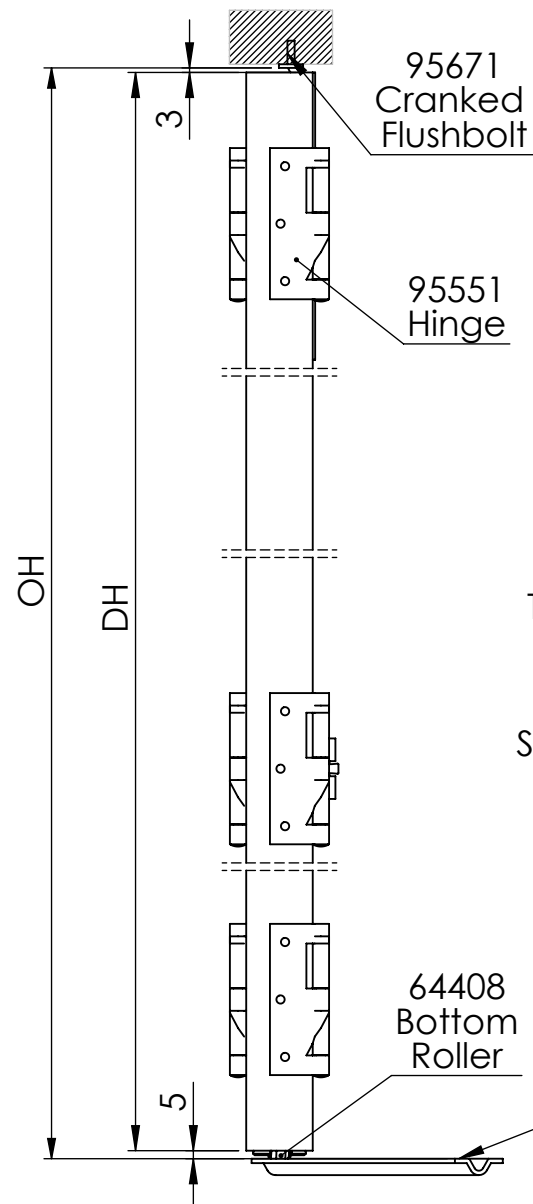
# FOLDASIDE 642

Side view  
With doors in opened position

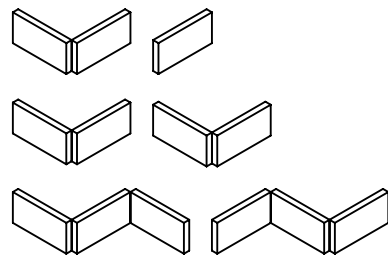
Maximum door weight 45kg

Side view  
With doors in closed position

DH - Door height,  
maximum door height 2400mm

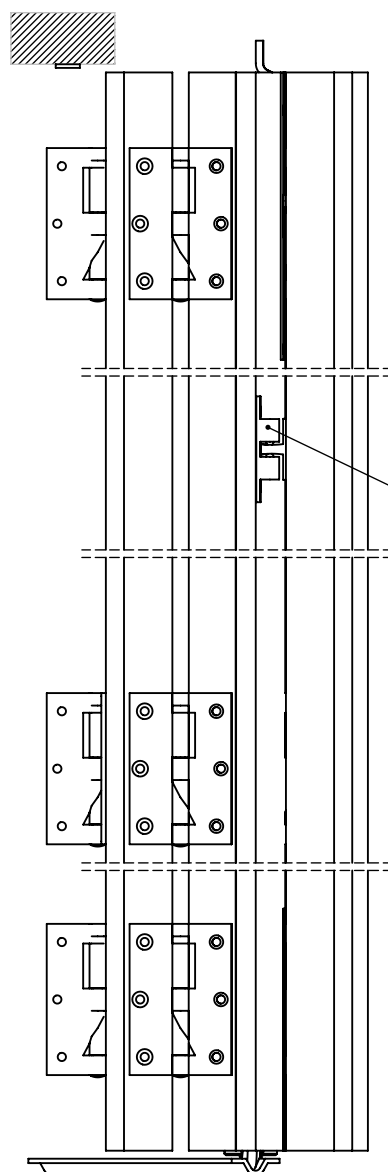


**DOOR ARRANGEMENTS**  
2 or 3 one or both ways  
2 or 3 one way with swing  
leaf on opposite jamb



**NOTE:**  
Top track unnecessary,  
bottom track **MUST**  
be positioned exactly  
as shown in drawing.  
See Top View for details.

**NOTE:**  
Up to 3 leaves folding  
in each direction



DWi - Door width, maximum door width 900mm

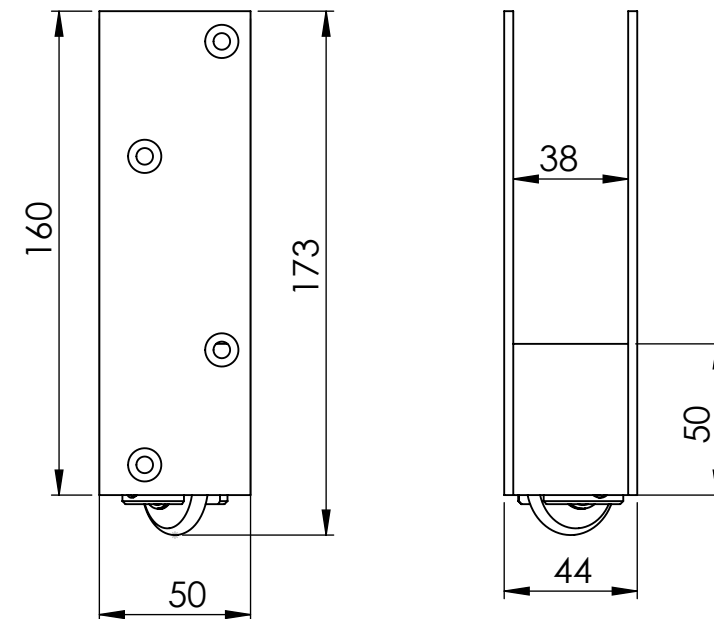
DT - Door thickness, 44mm ONLY

OW - Opening width, maximum 4800mm

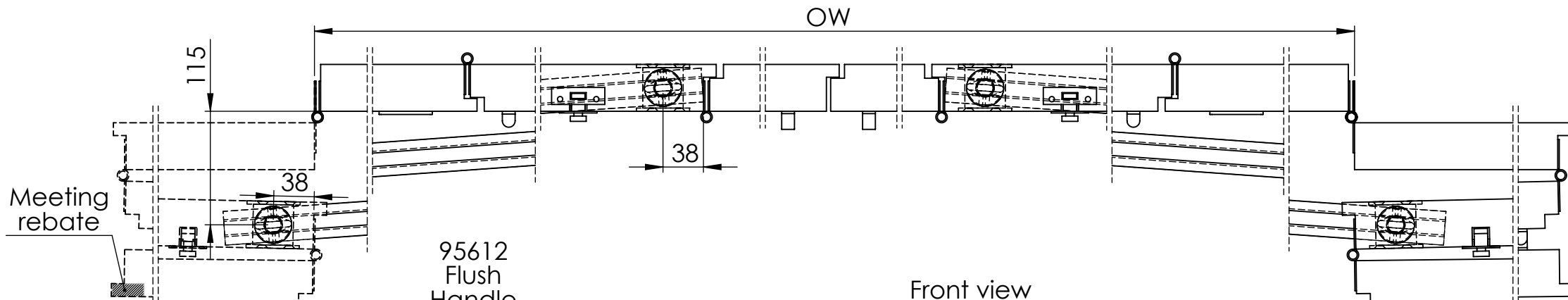
OH - Opening height

OW - Opening width

Bottom roller  
Scale 2:1



Top view



Front view

