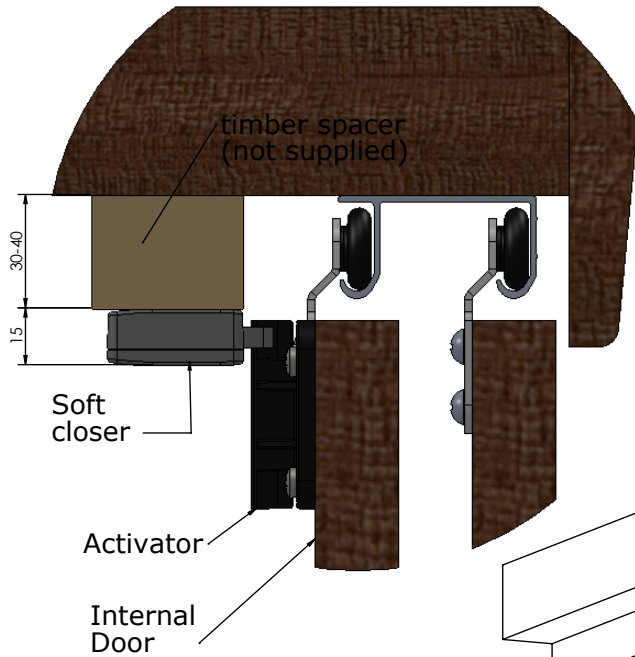


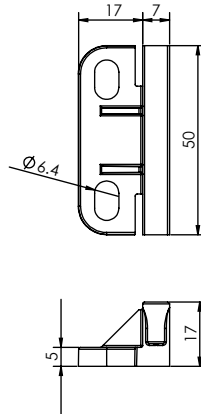
30 kg

SOFT CLOSER FITTING INSTRUCTION FOR SLIDING WARDROBE SYSTEMS

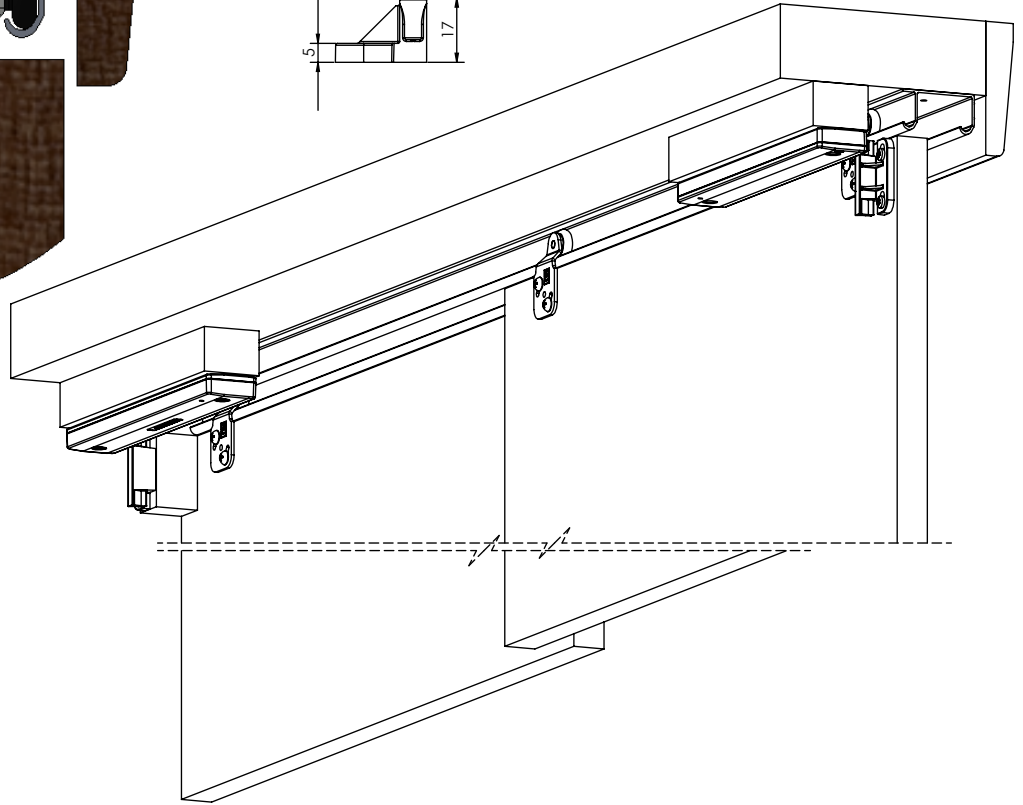
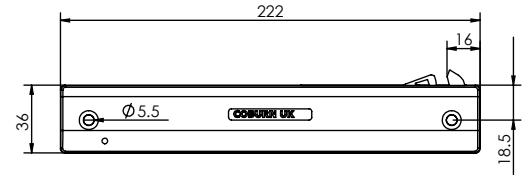
Soft closer fixing for Internal door



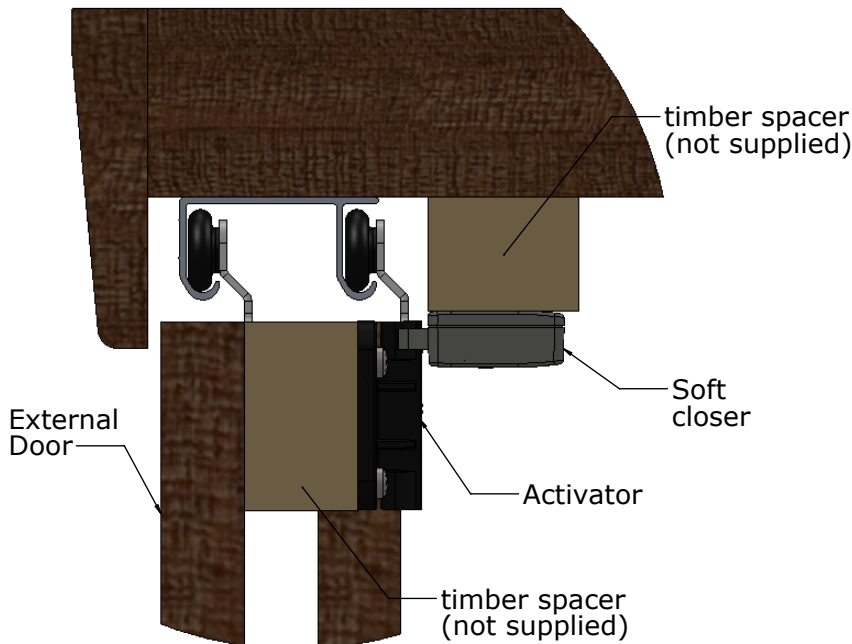
Actuator Dimension



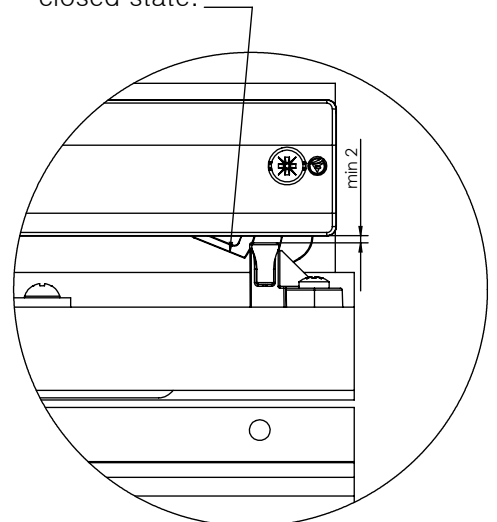
Soft Closer Dimension



Soft closer fixing for Exterior door



Fix the actuator so it will be inside the trigger when the door in fully closed state.



Note : Once the soft closer is installed, close and open the door to check the operation.

All dimensions are metric unit