

# FITTING INSTRUCTIONS FOR FLUSHSLIDE 2 DOOR SYSTEM

## COMPONENTS

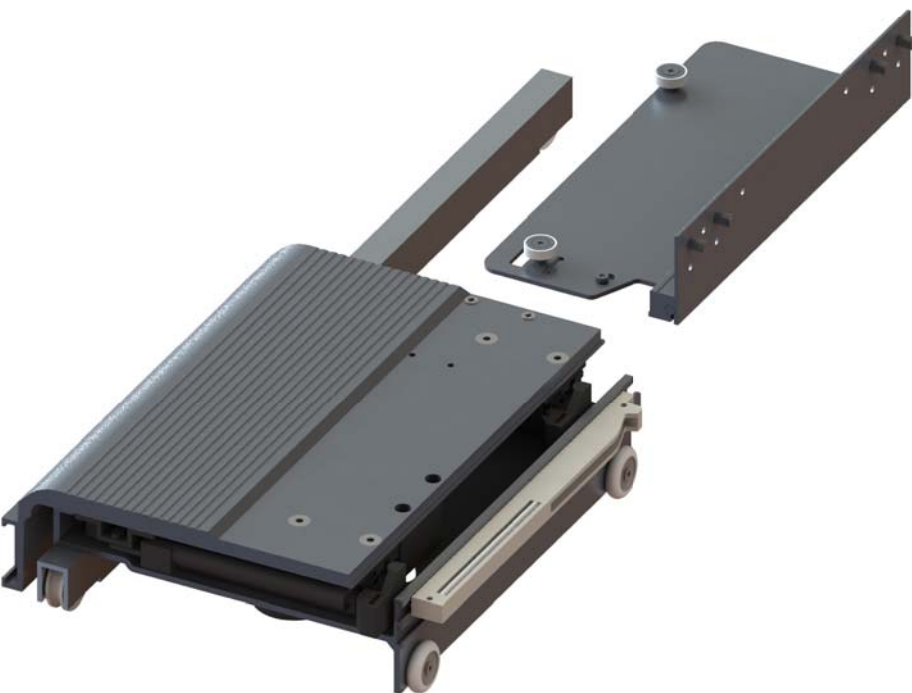


83120/30/40 - Top track & bottom channel



83222 - Left hand sliding unit, 85kg

83224 - Left hand sliding unit, 55kg



83223 - Right hand sliding unit, 85kg

83225 - Right hand sliding unit, 55kg

## TOOLS REQUIRED

13mm - Spanner  
3mm and 4mm - Allen Key  
4mm - Drill Bit  
Power Screw Driver  
Posi Drive Screw Bit

# NOTE: BEFORE STARTING FIRST READ THROUGH THE FITTING INSTRUCTIONS

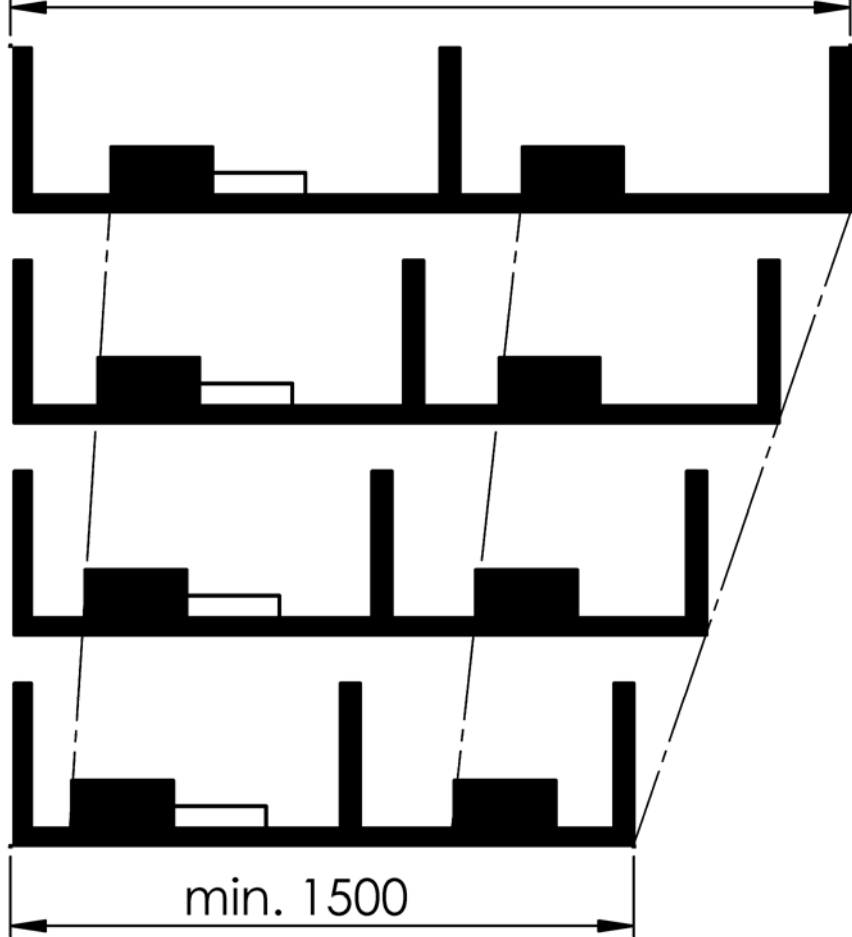
## Technical Specifications

Maximum door weight: 85kg

Door thickness: 20-45mm

Maximum door height: 3000mm

max. 2520



Flushslide 2

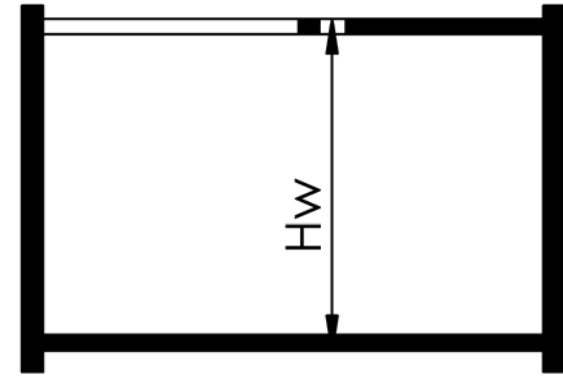
2 door system - 55 kg rollers

Door height(Dh) is the measurement from the top surface of the wardrobe to the bottom surface (Hw) + 87mm

$$Dh = Hw + 87mm$$

I.e.: Hw=2400mm

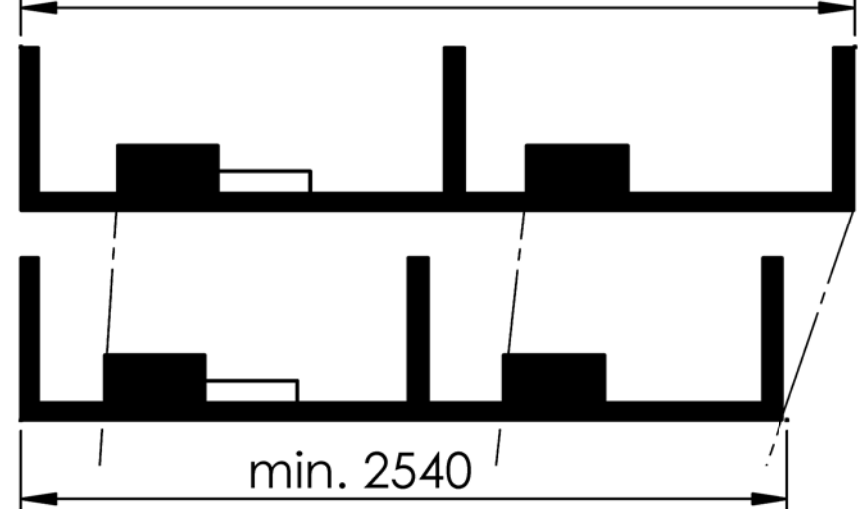
$$Dh = 2400 + 87 = 2487mm$$



\* Flushslide 2

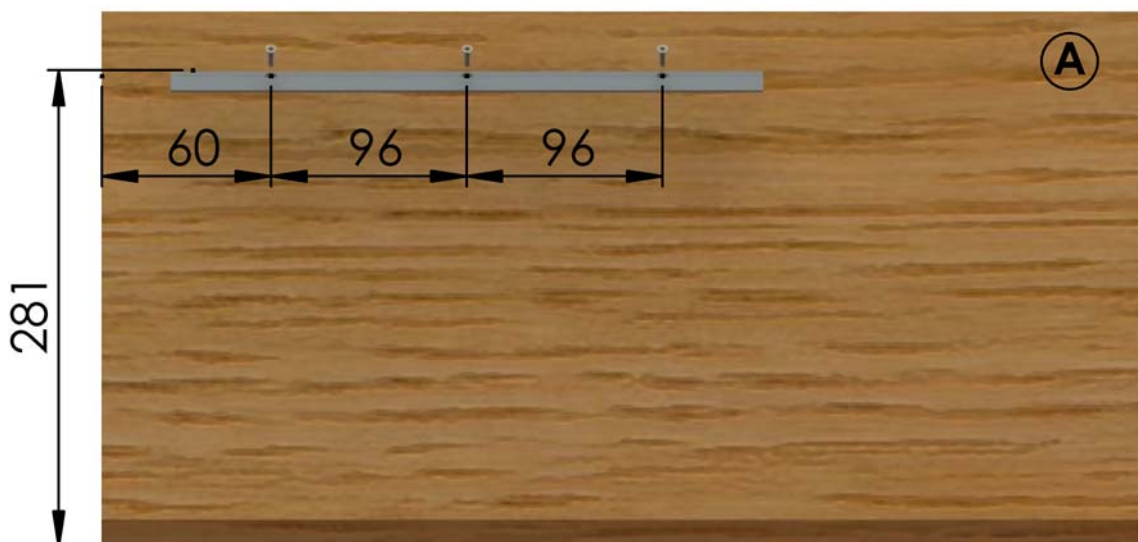
2 door system, 85 kg rollers

max. 3300



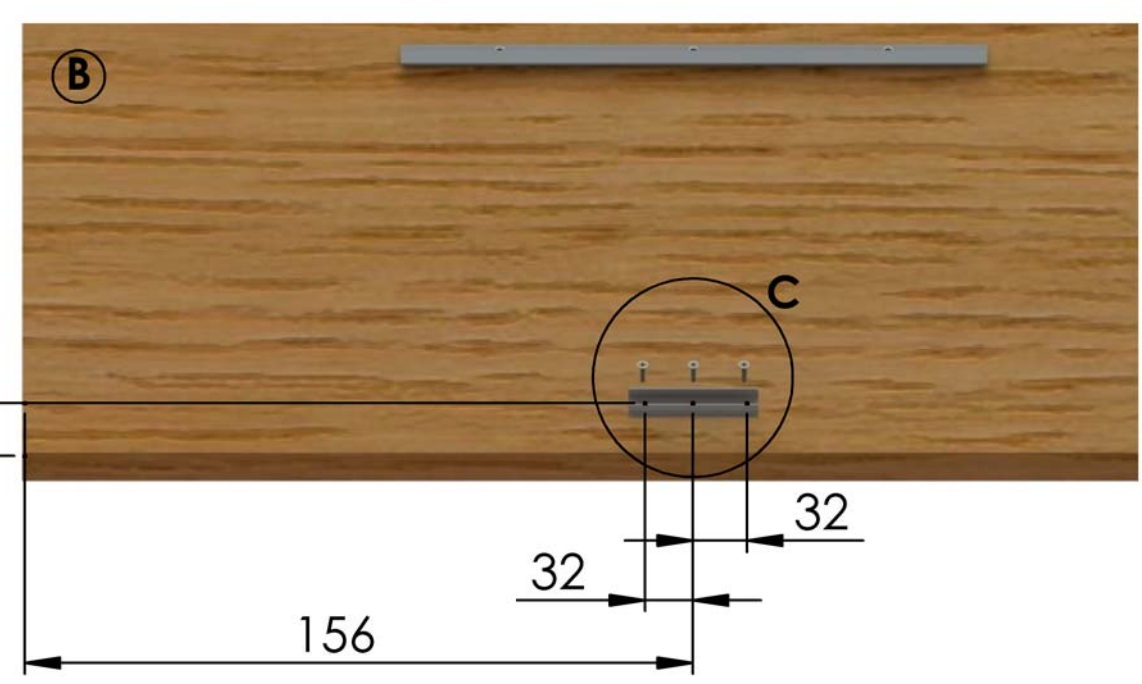
\* - 3300 recommended, maximum opening width, but it can go up to 3600mm

## Step 1 Mounting 'Z' profile on top

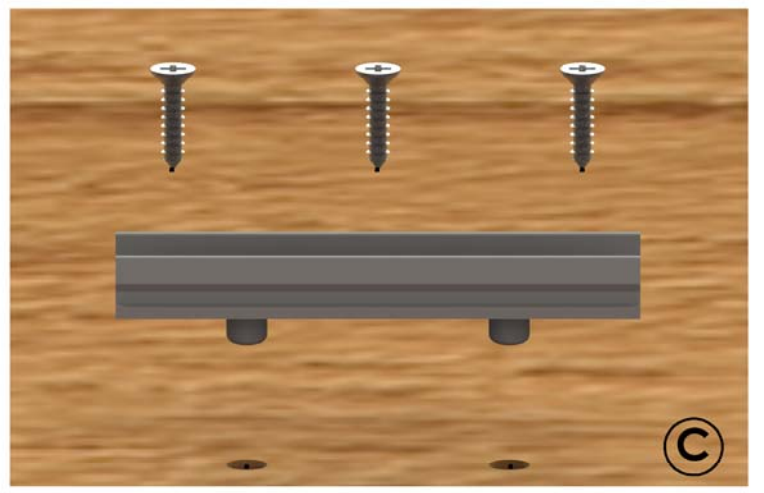


Fix the 'Z' profiles on the top

**Step 2** Mounting 'clicking' profile on top

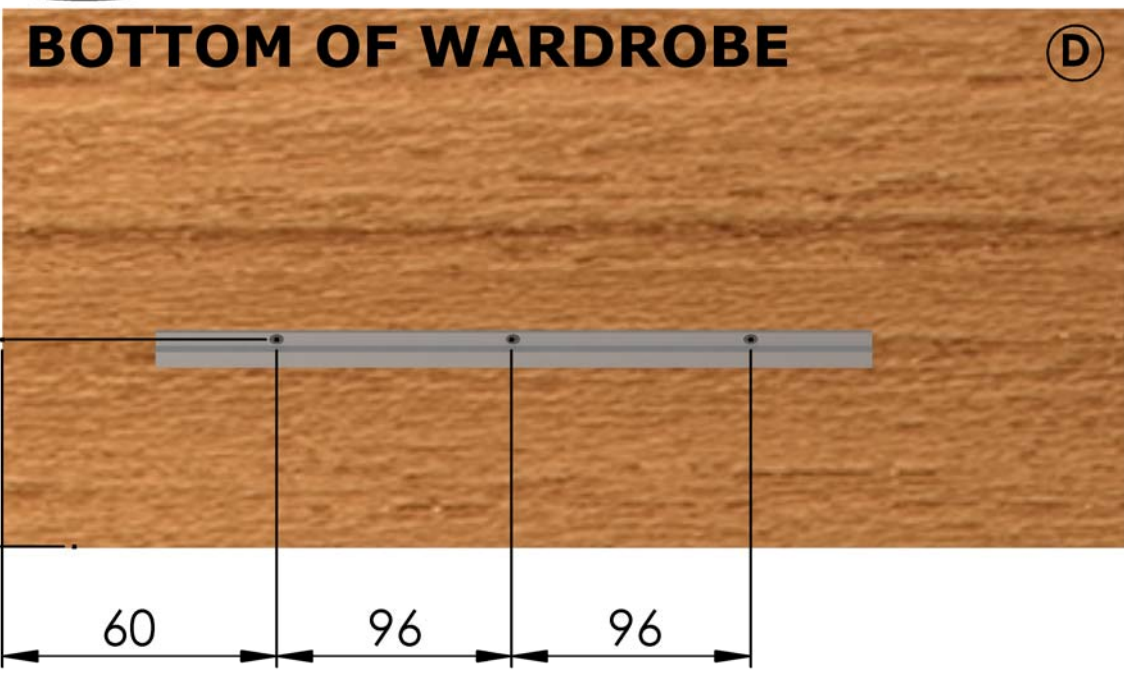


FRONT OF WARDROBE

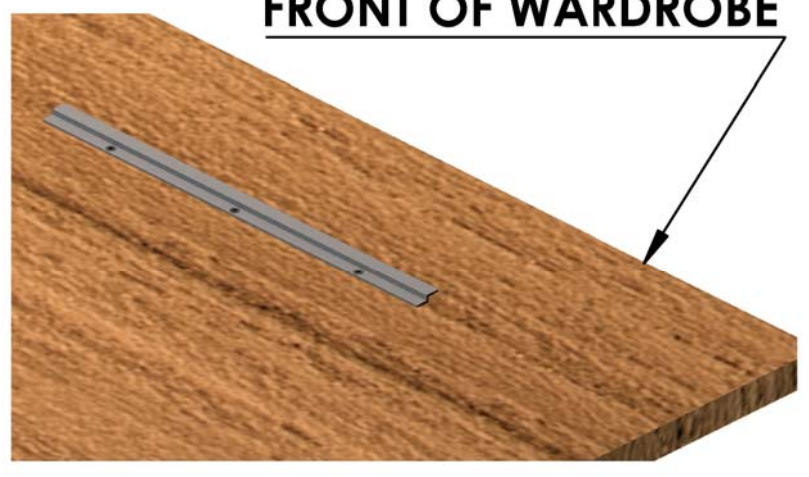


Fix the 'clicking' profiles on the top

**Step 3** Mounting 'Z' profile on bottom

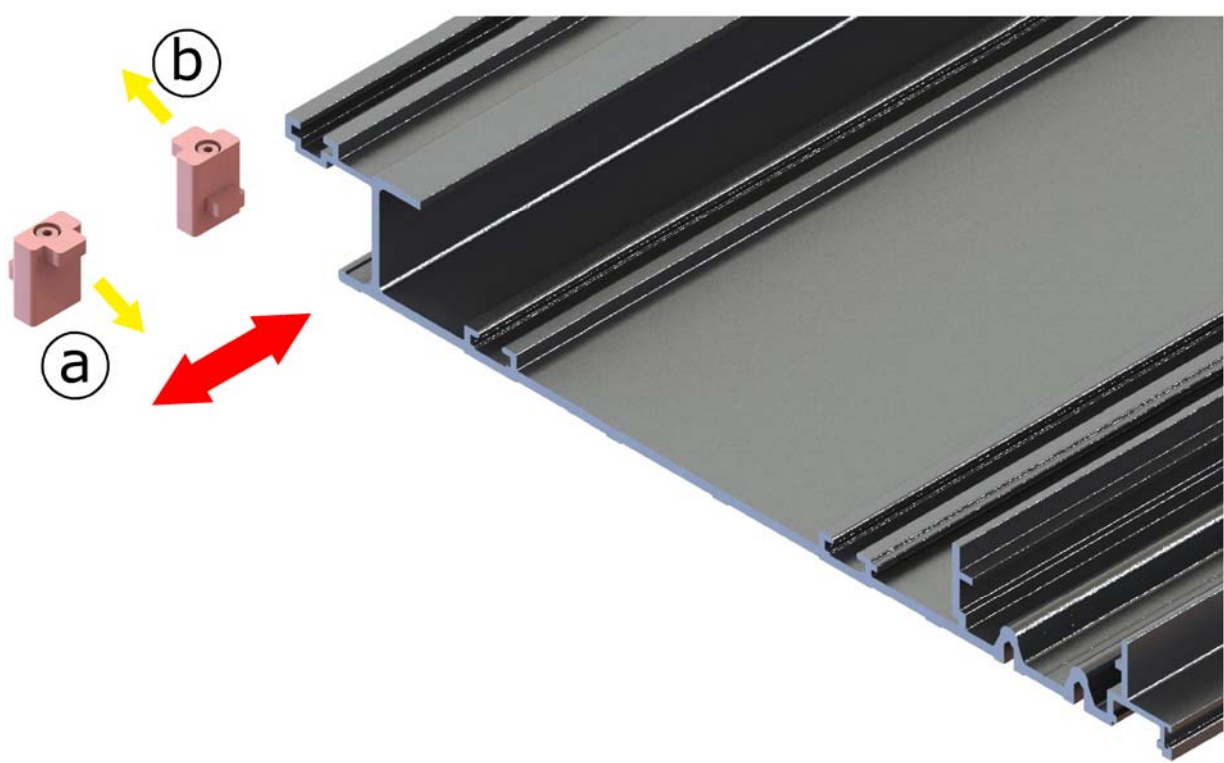


FRONT OF WARDROBE



Fix the 'Z' profiles on the bottom base

**Step 4** Mounting soft closing actuator



Insert the actuators into track but leave screws loose, tight the screws after Step 13 or 14

- (a) - actuator for left door
- (b) - actuator for right door

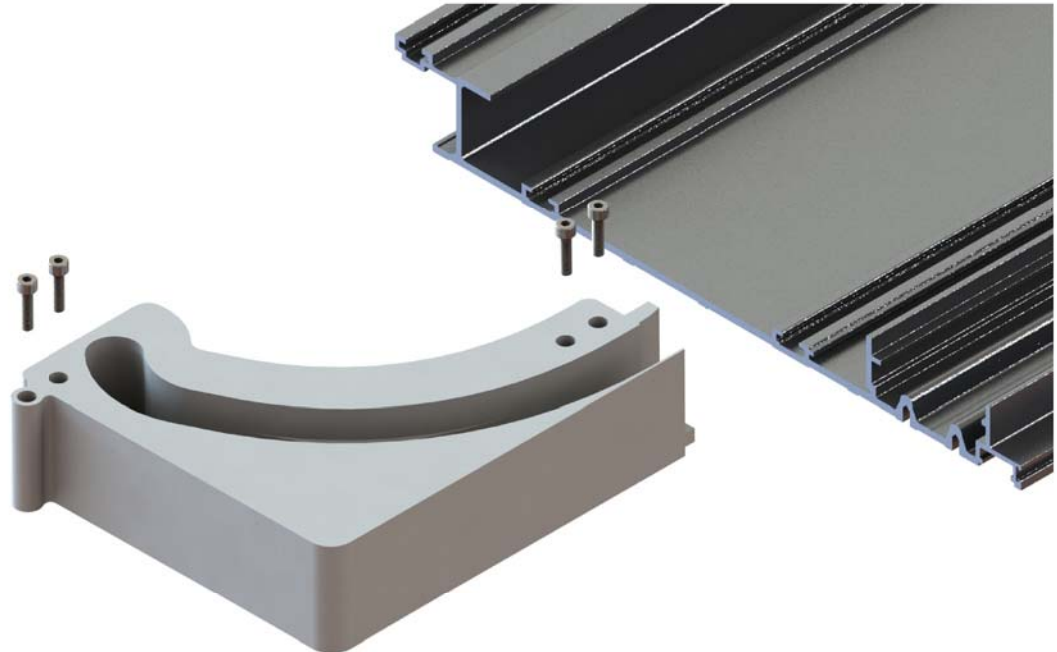


For distance and fixing please follow instructions in Step 13 or 14

**Step 5** Mounting upper curves



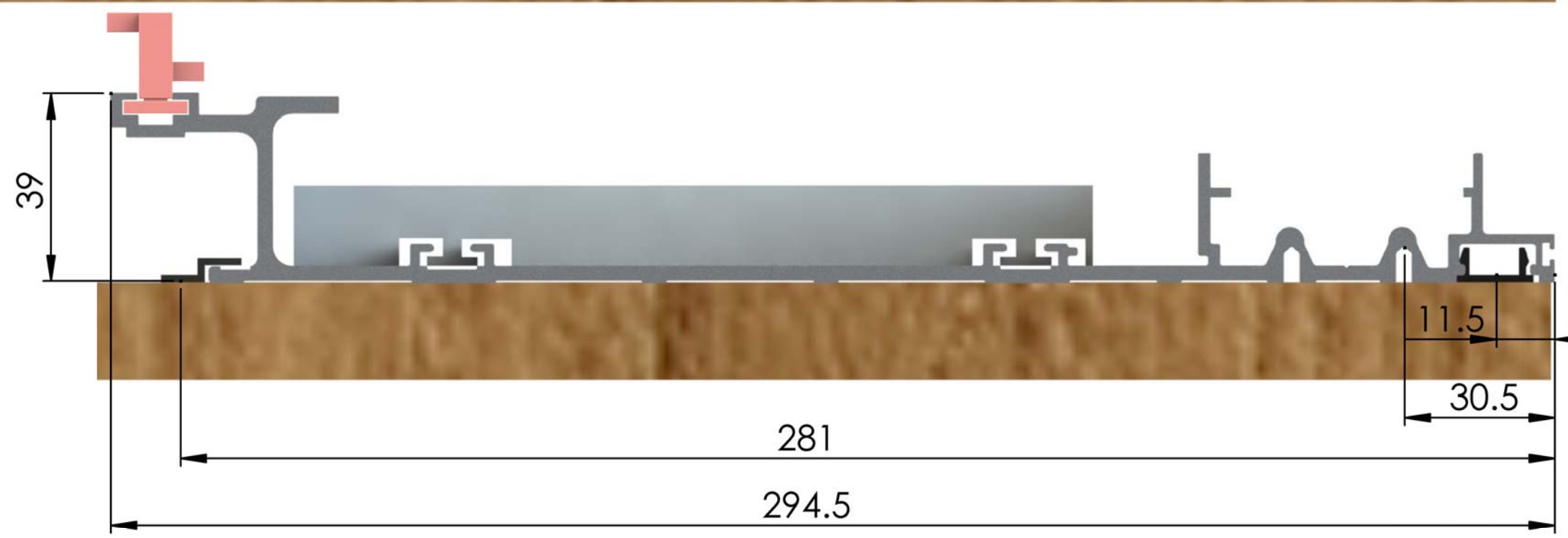
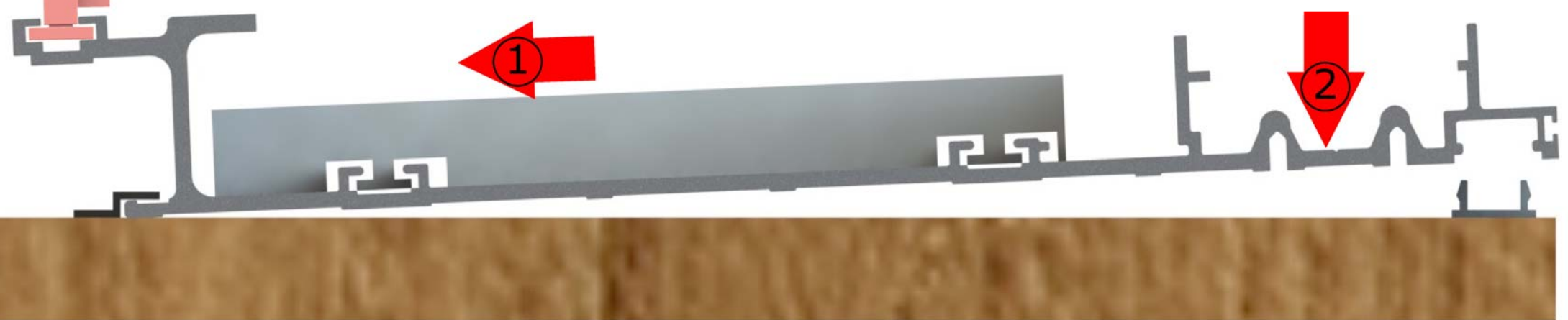
NOTE: Curves are marked left (SX) and right (DX)



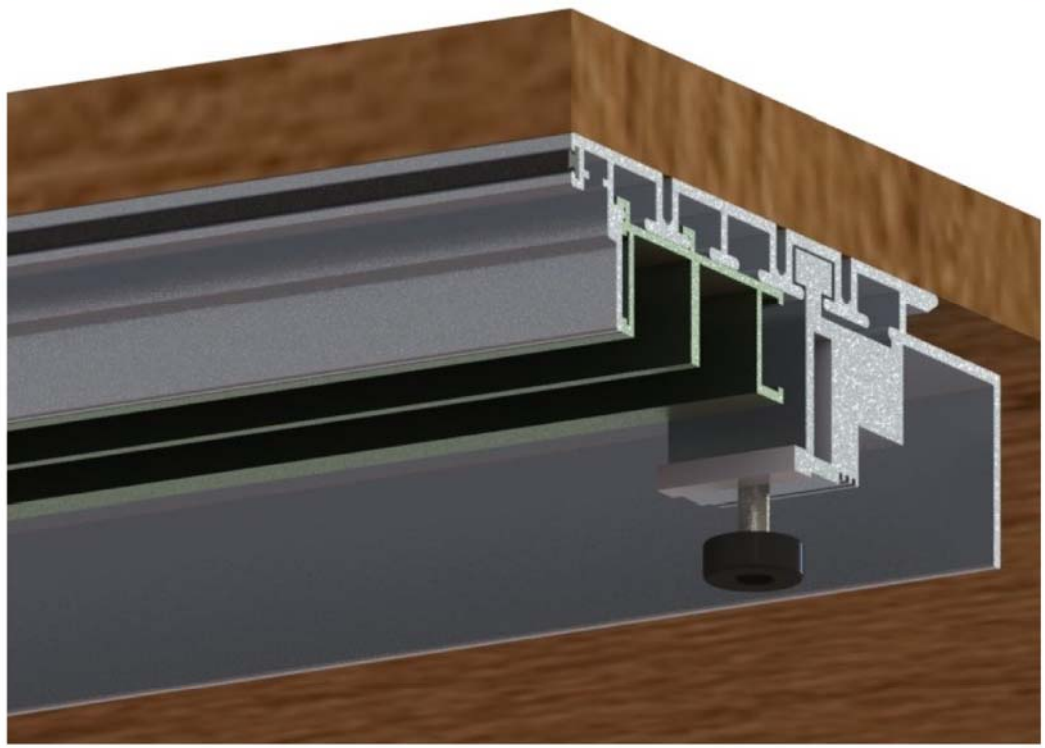
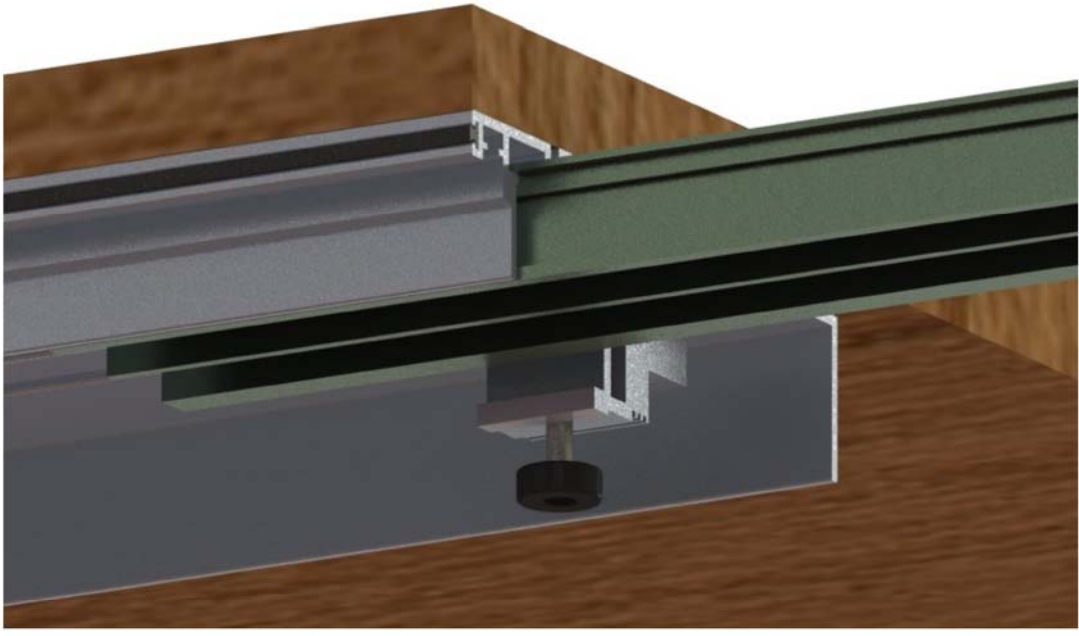
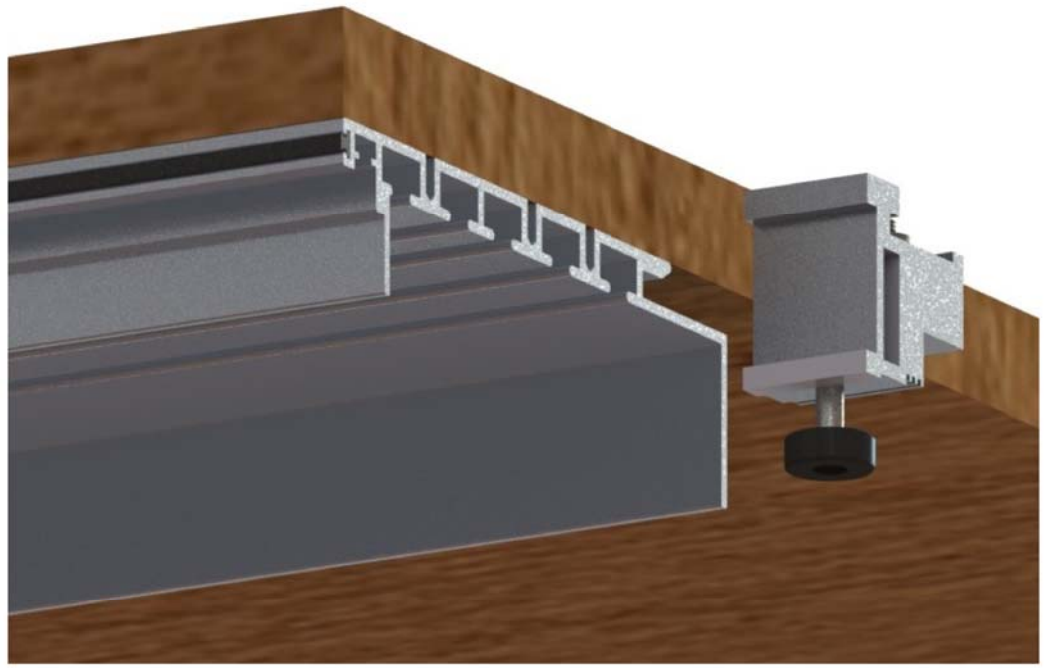
**Step 6** Upper rail mounting

1. Insert the back of track in the Z profile.

2. Push the track into click profile until you hear a CLICK sound.



**Step 7** Installing the first set of feet and middle rail fixing

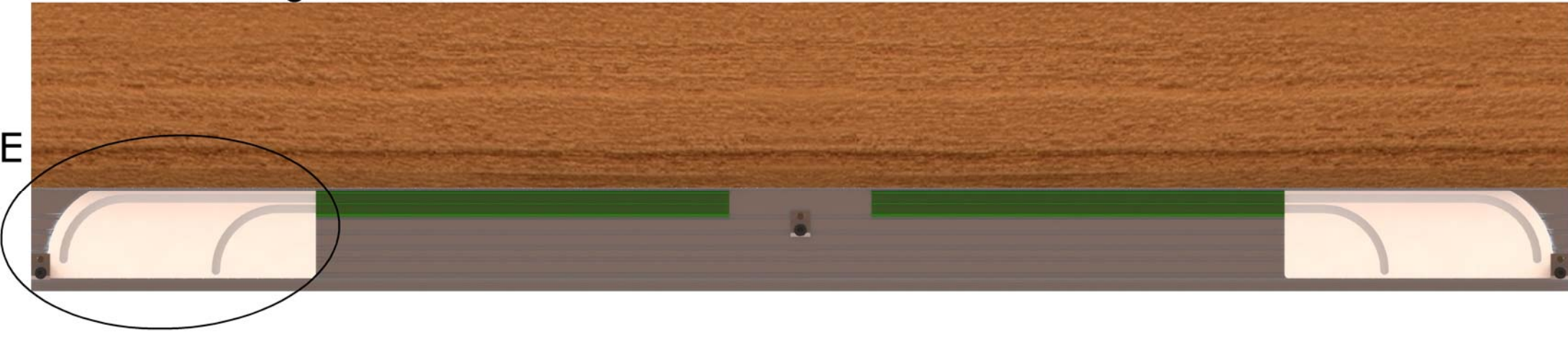


You need one foot for each side panel.

For curves distance and fixing please follow Step 13 or 14.

NOTE: Before installing have in consideration how the door opens

**Step 8** Mounting lower curves and lower feet



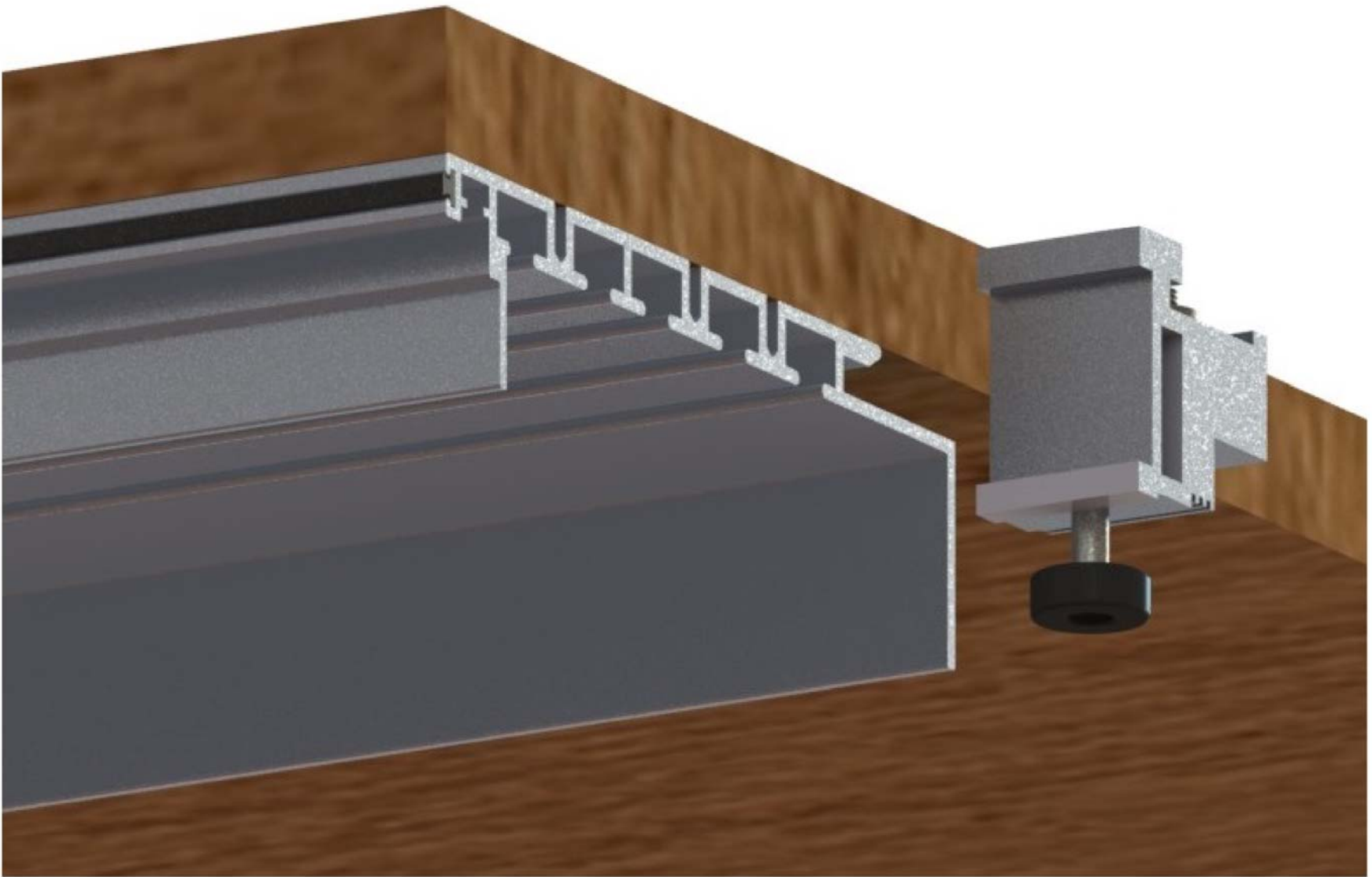
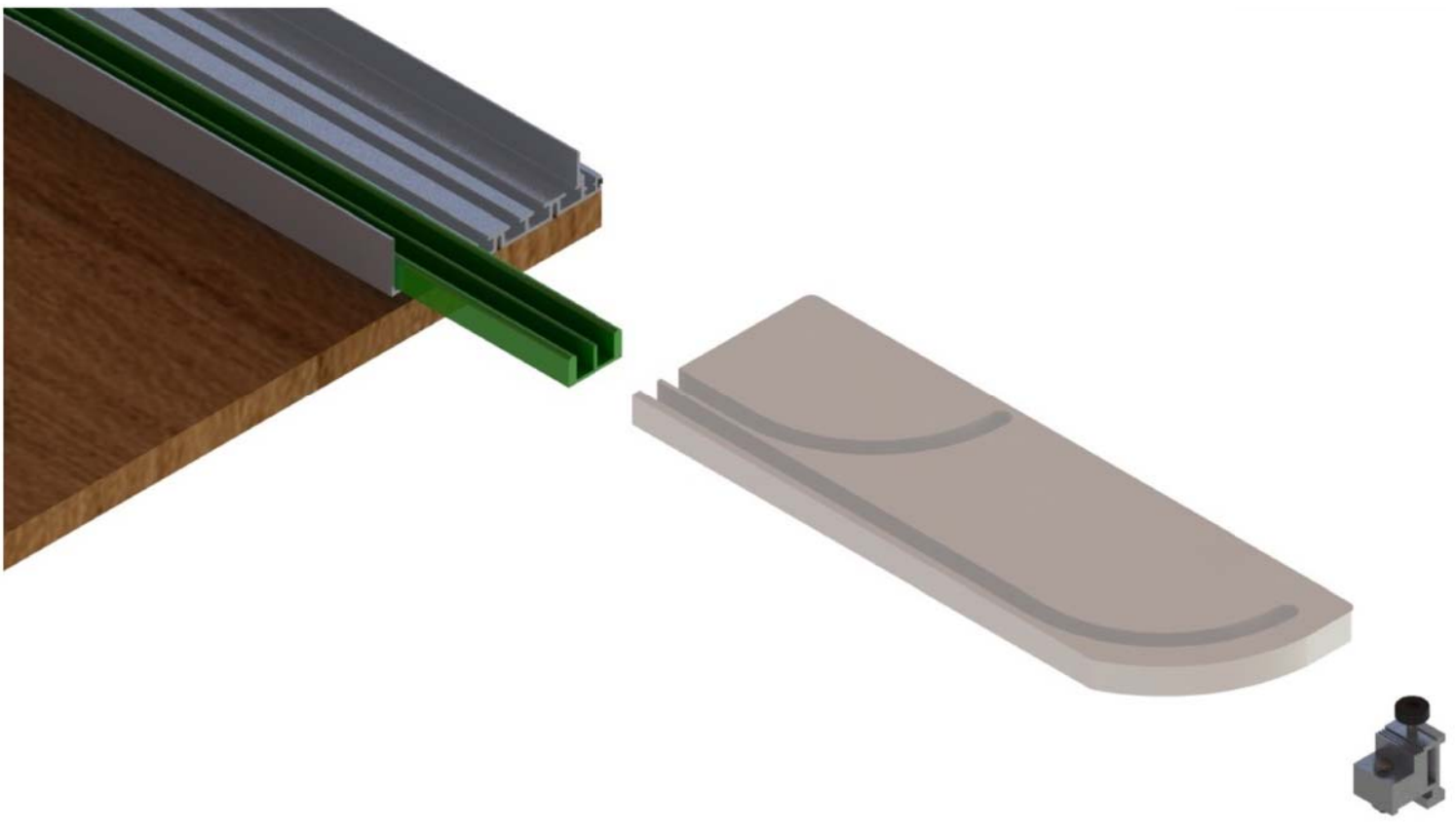
Slide the curves into track and butt them to the middle rail.

Right and left marked on the curves.

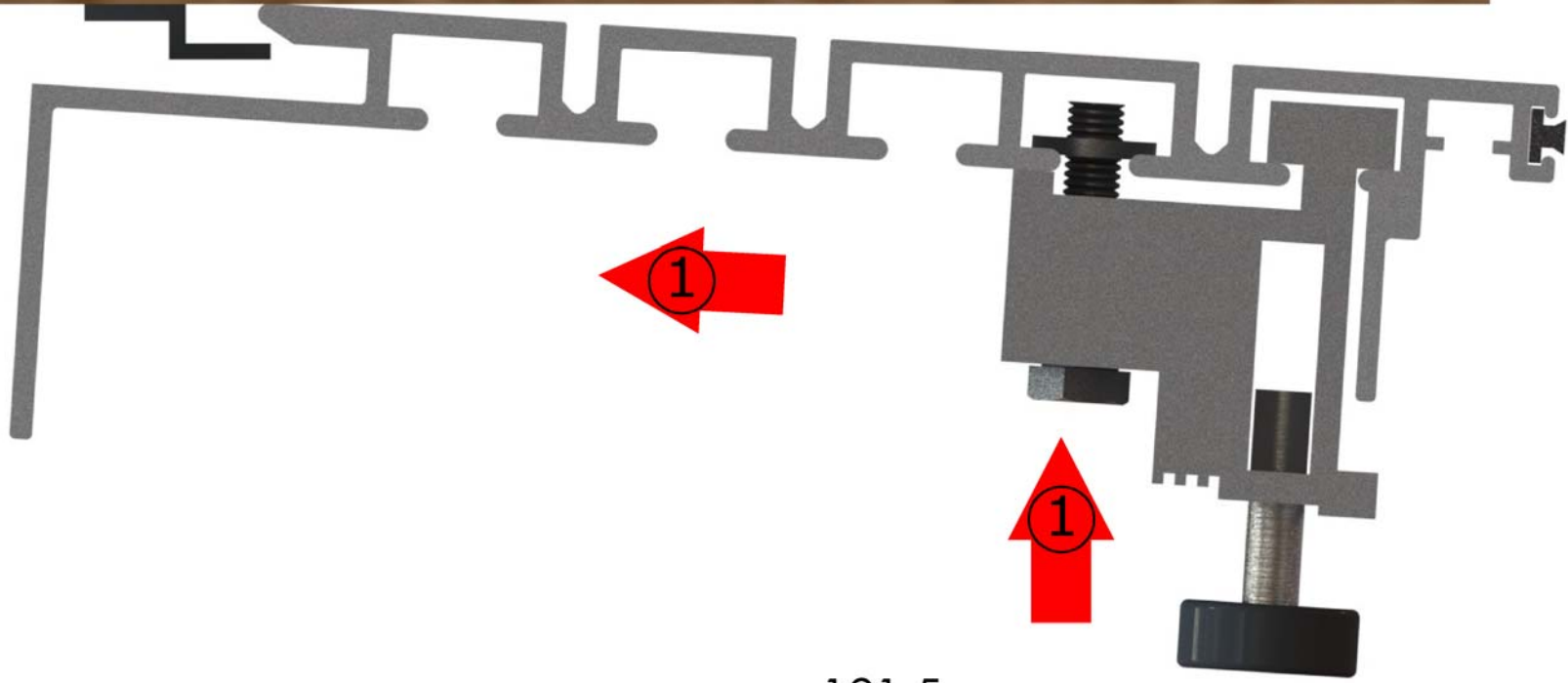
One foot for each side panel.

Follow door scheme from Step 13 or 14.

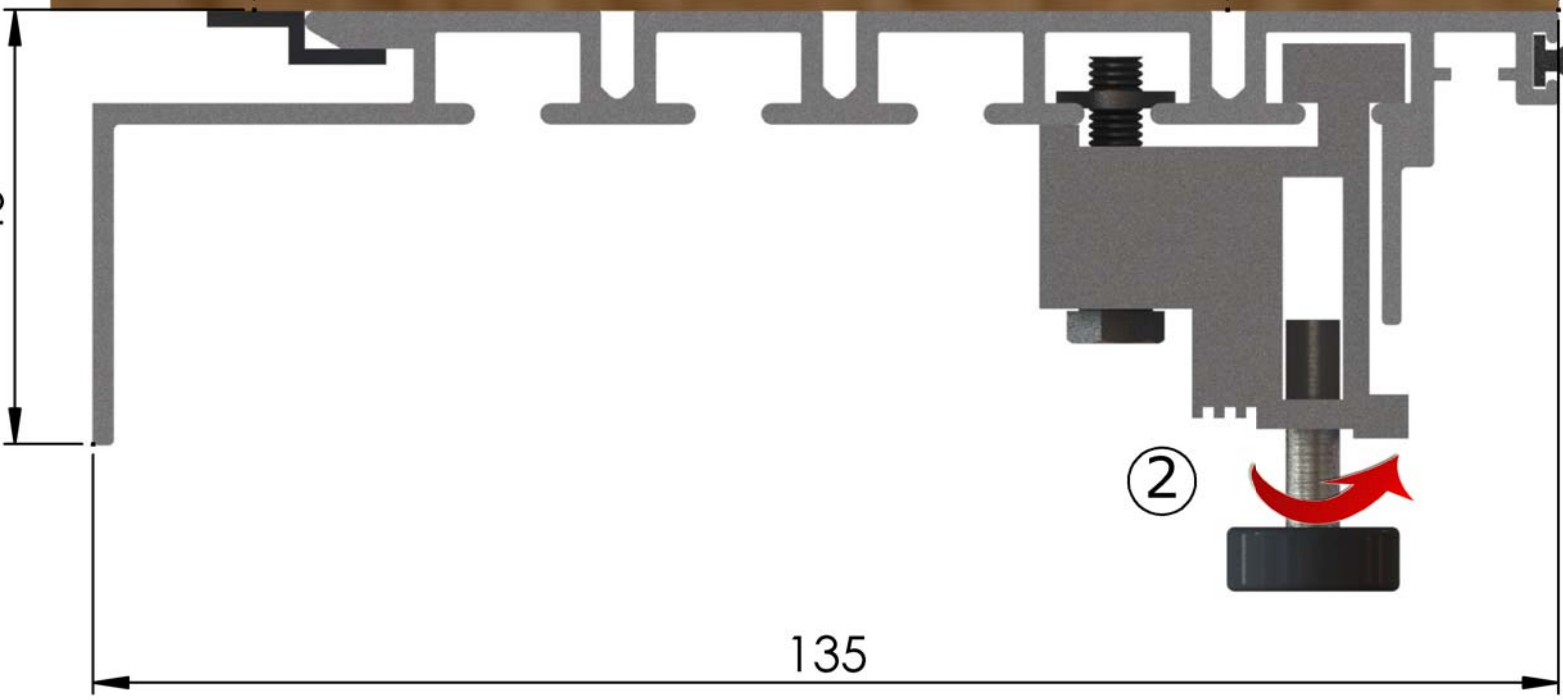
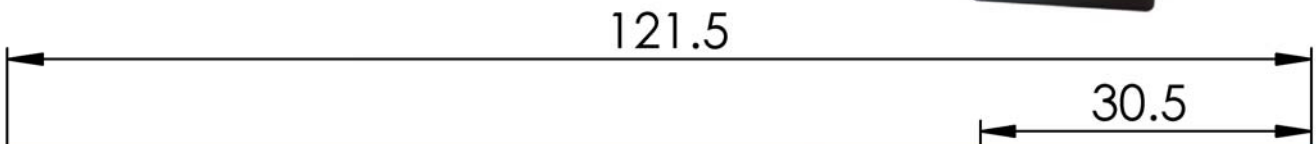
NOTE: Before installing have in consideration how the door opens.



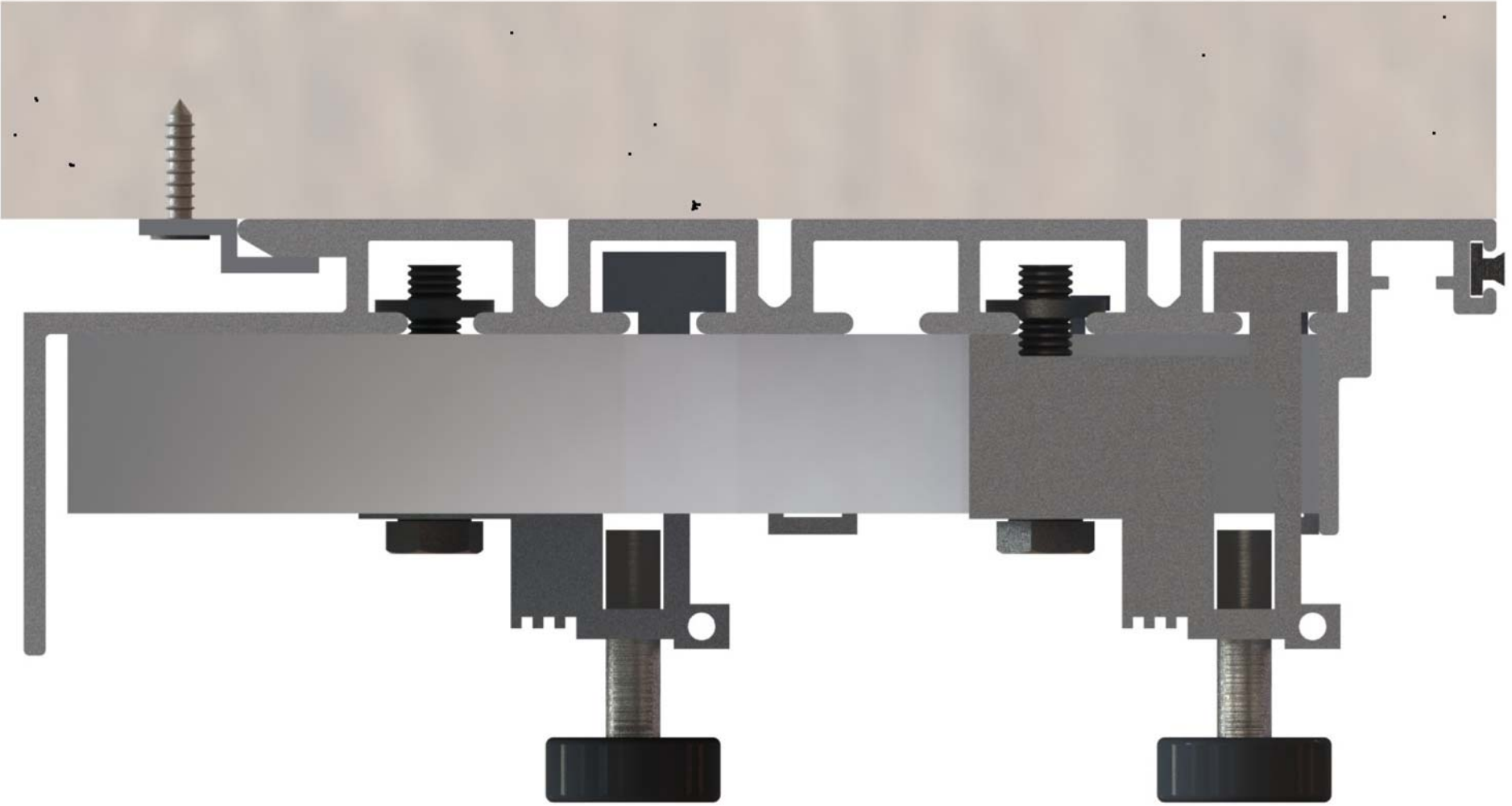
**Step 9** Lower rail mounting



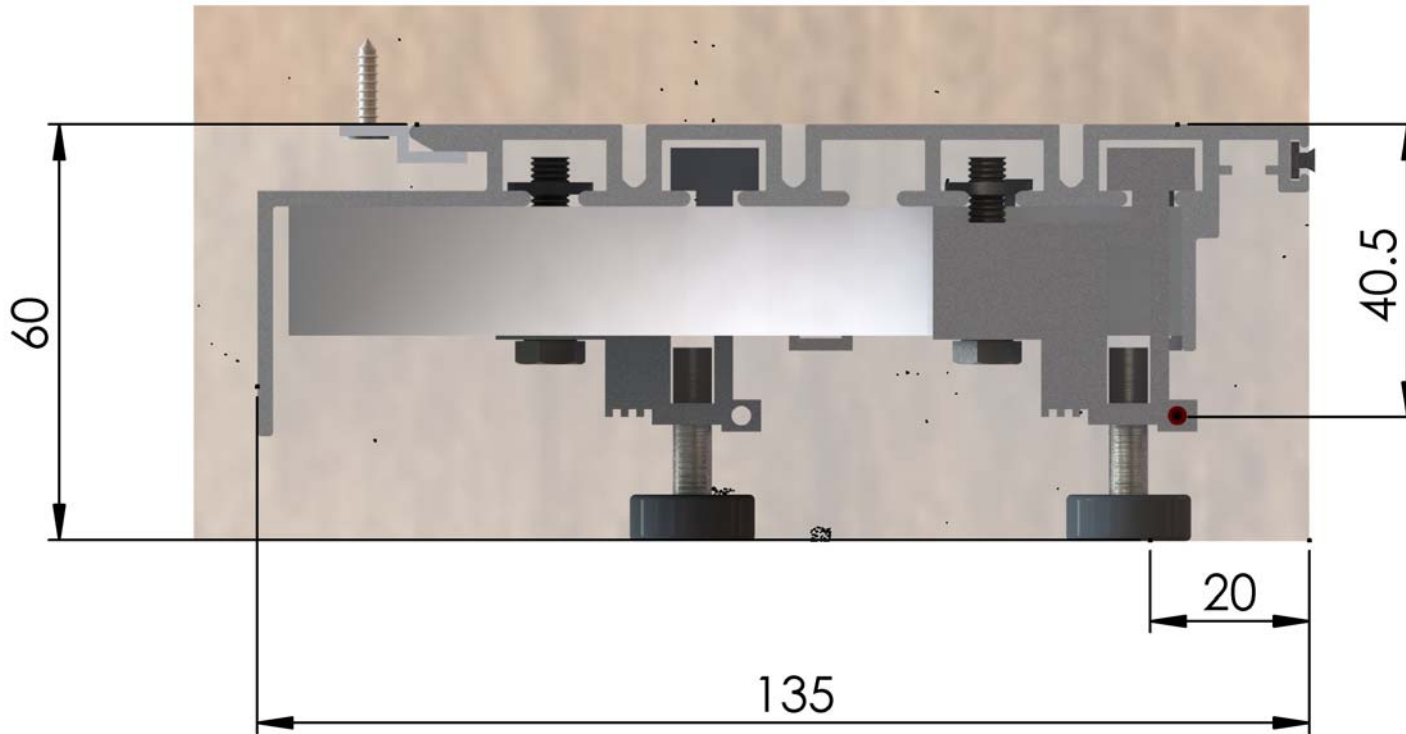
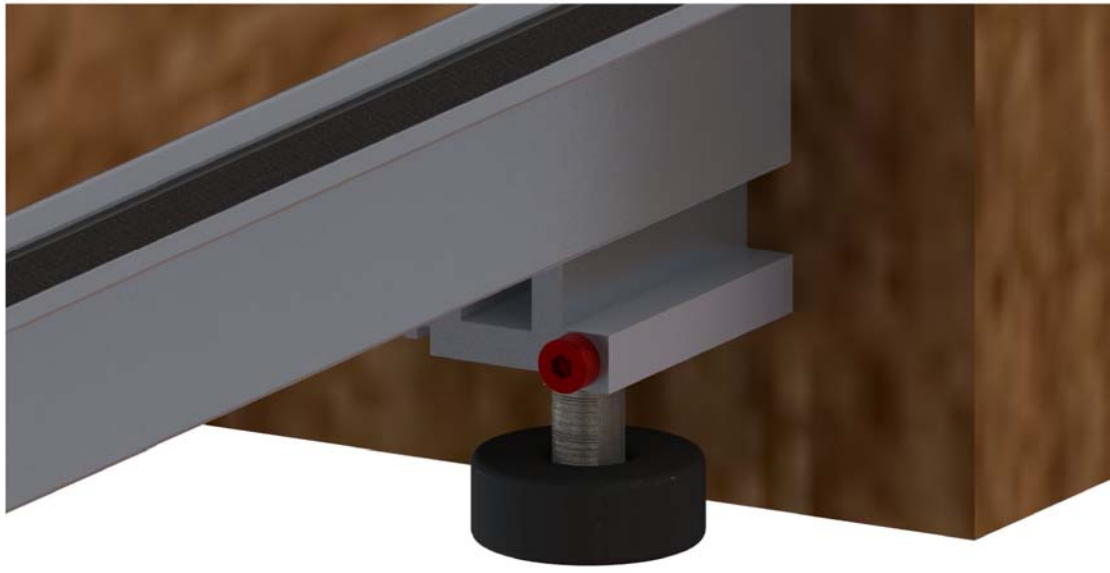
1. Insert the back of track in the Z profile.



2. Adjust the height of the leg so that it touches the floor and keeps the wardrobe in a levelled position.

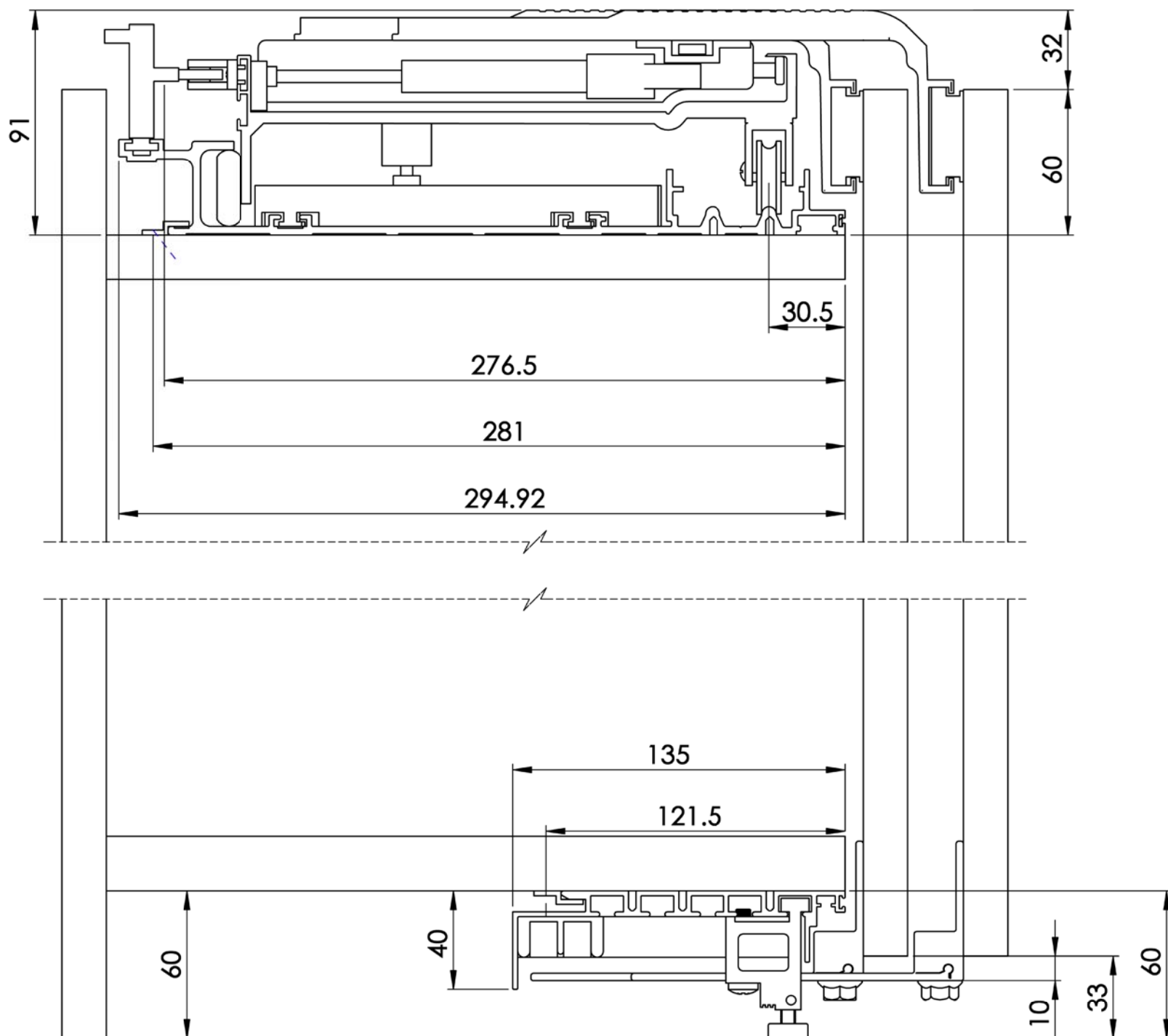


**Step 10** Lock the side side feet



Butt the feet on the side of the wardrobe and fix them with screws.

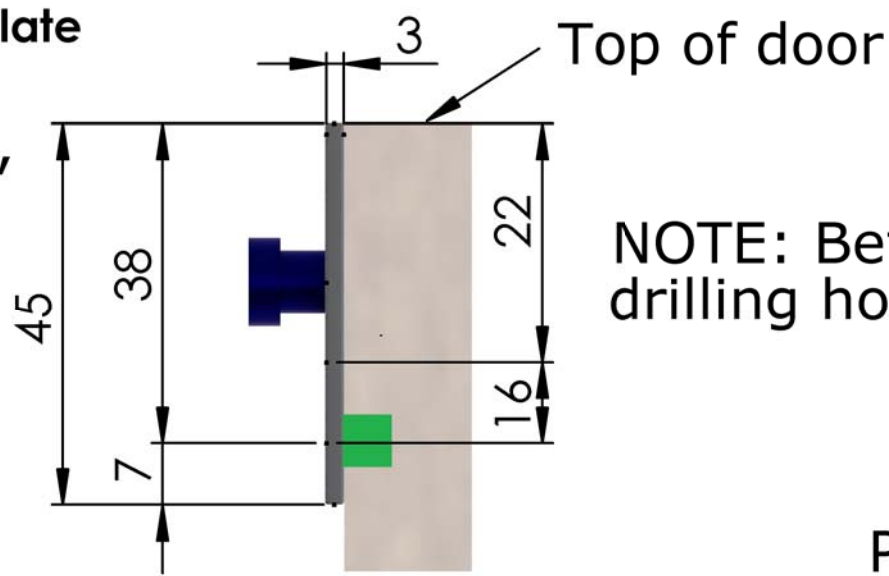
**SECTION VIEW:**





## Step 11 Door connecting plate

- - Dowel pin holes 8.2, depth 15mm
- - Screw holes
- - Door hook



NOTE: Before marking and pre-drilling holes see Step 13 or 14.

Plate for 55 kg roller

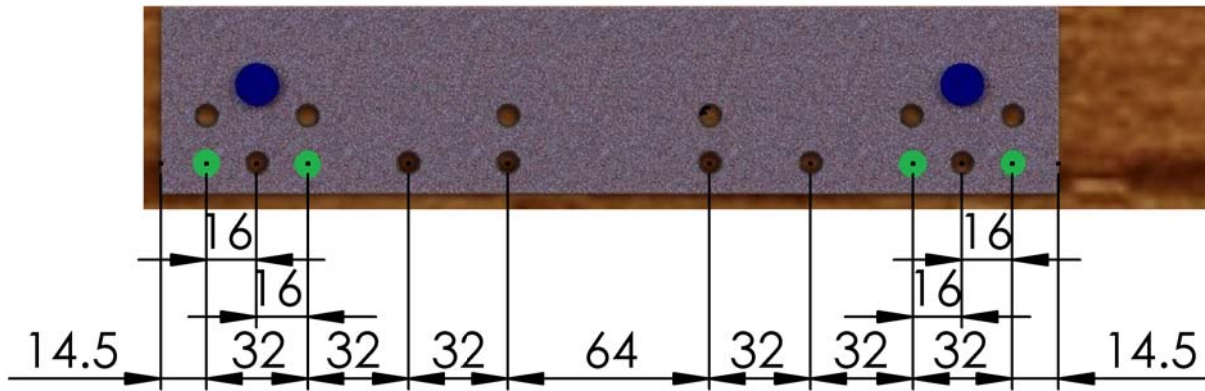
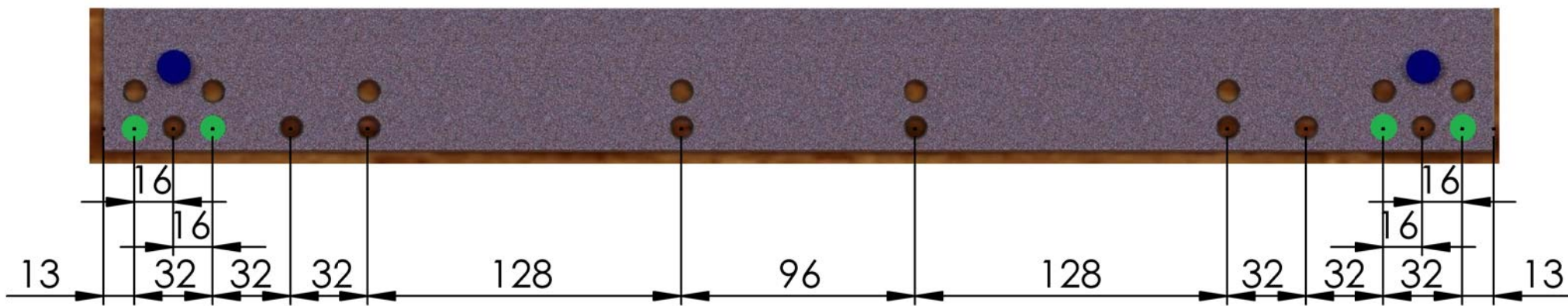
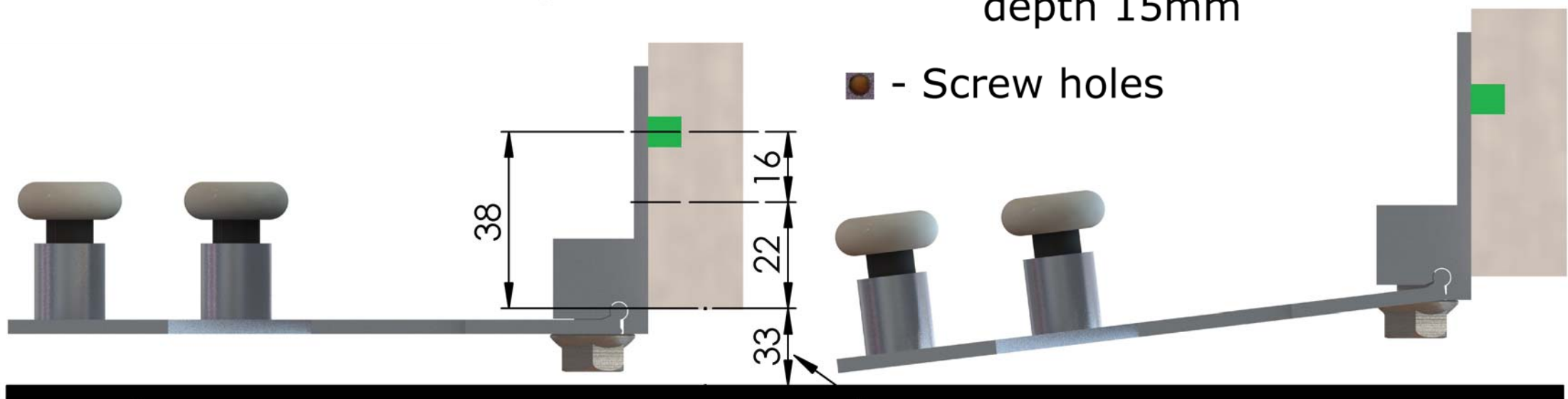


Plate for 85 kg roller



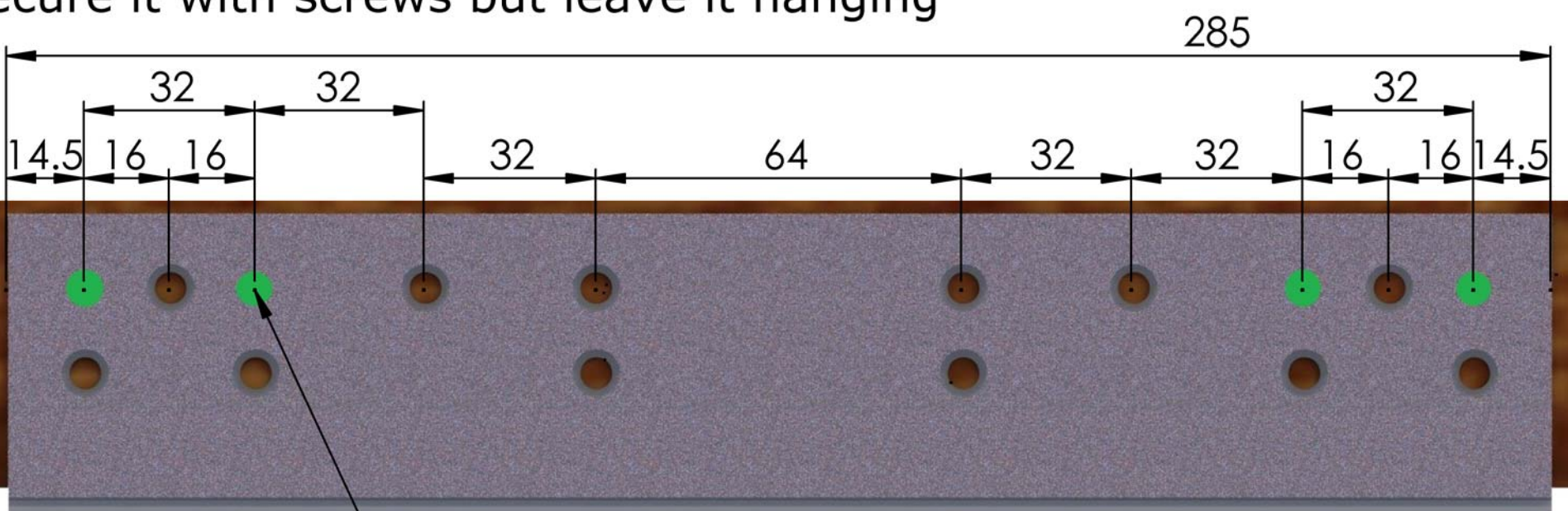
## Step 12 Lower guide connecting plate

- - Dowel pin holes 8.2, depth 15mm
- - Screw holes



Clearance between door bottom and floor is 33mm

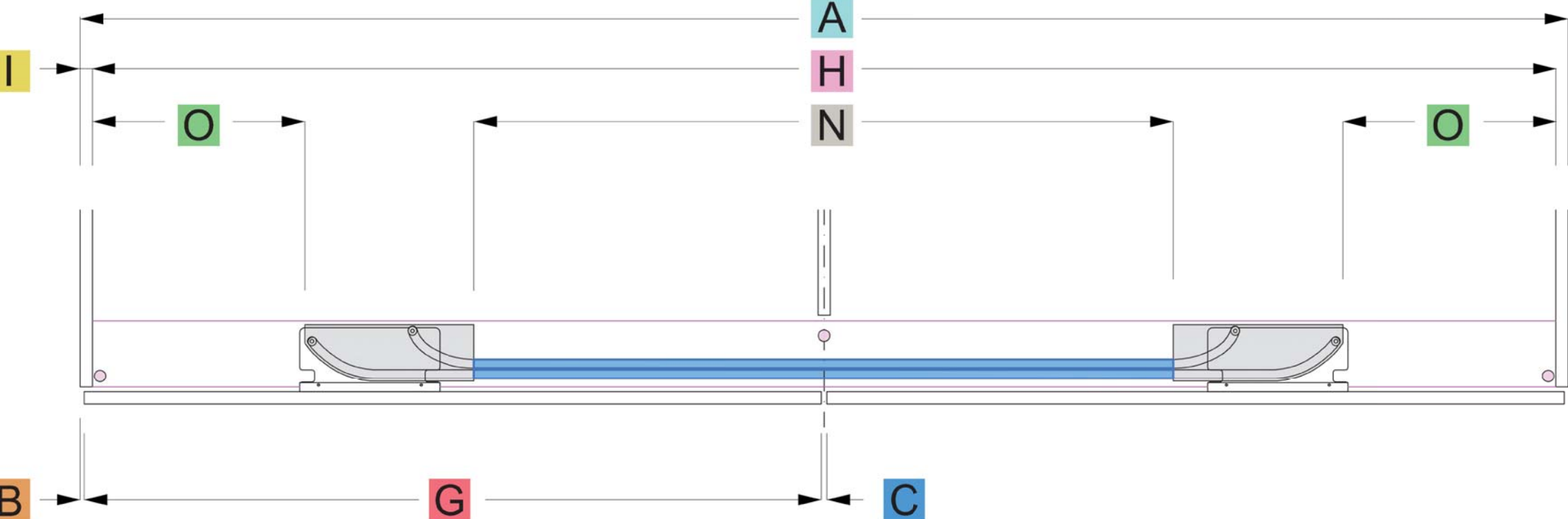
After fixing the lower guide connecting plate insert the plate with rollers and secure it with screws but leave it hanging



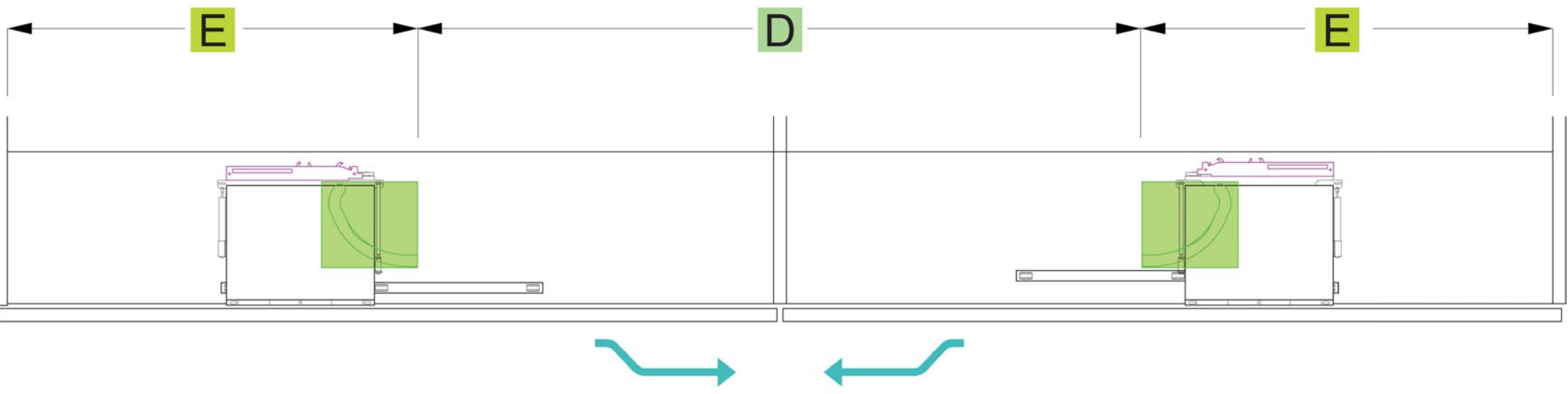
4 x  $\phi$ 8.2 Dowel Holes 15mm deep

# Step 13 Flushslide 2 doors preparation (55kg rollers)

## Bottom Track

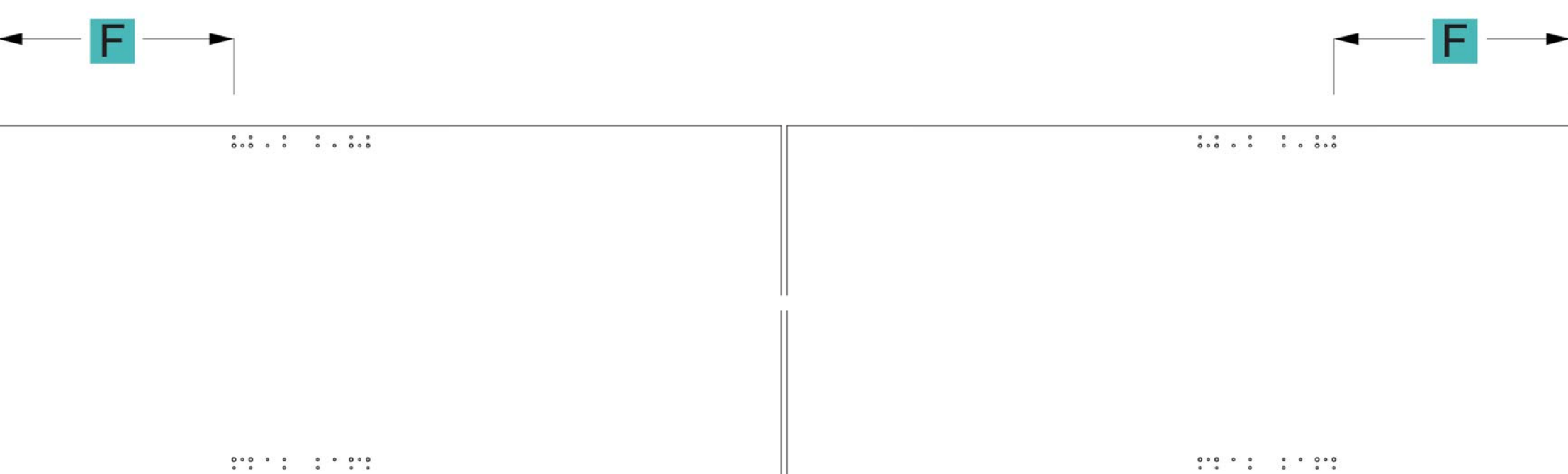


## Top Track



## Doors

**F** = centre of the first hole

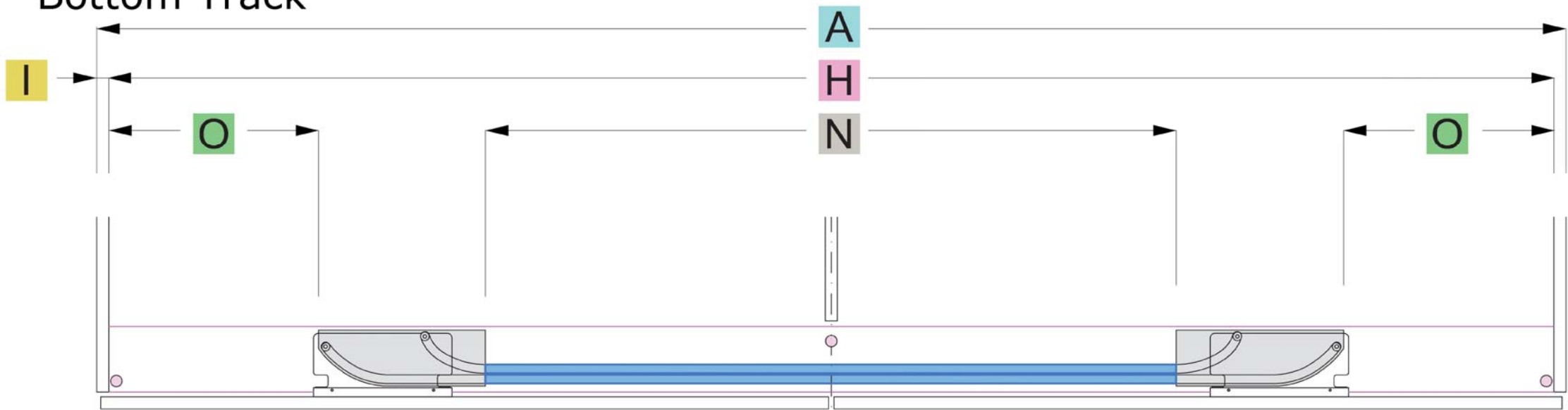


- A** = total width
- C** = doors range
- D** = upper curves range
- D** = **G** - 127 mm
- G** = door width
- N** = **D** + 35 mm
- G** =  $\frac{\mathbf{A} - (2 \mathbf{B} + \mathbf{C})}{2}$

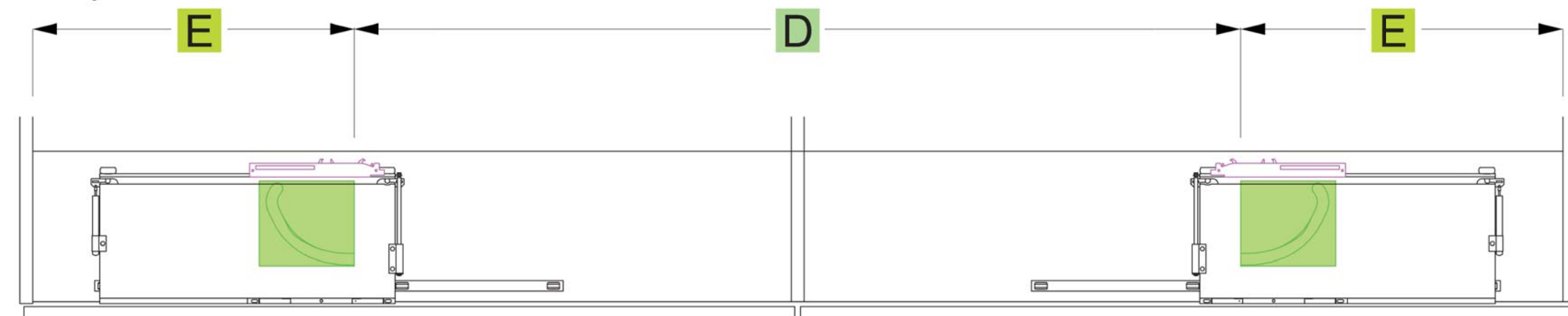
- H** = track length
- H** =  $\mathbf{A} - (2 \mathbf{I}) - 2 \text{ mm}$
- E** =  $\frac{\mathbf{H} - \mathbf{D}}{2}$
- O** =  $\frac{\mathbf{H} - (\mathbf{N} + 690 \text{ mm})}{2}$
- F** =  $(\mathbf{E} + \mathbf{I} + 1) - (\mathbf{B} + 353,5 \text{ mm})$

# Step 14 Flushslide 2 doors preparation (85kg rollers)

## Bottom Track

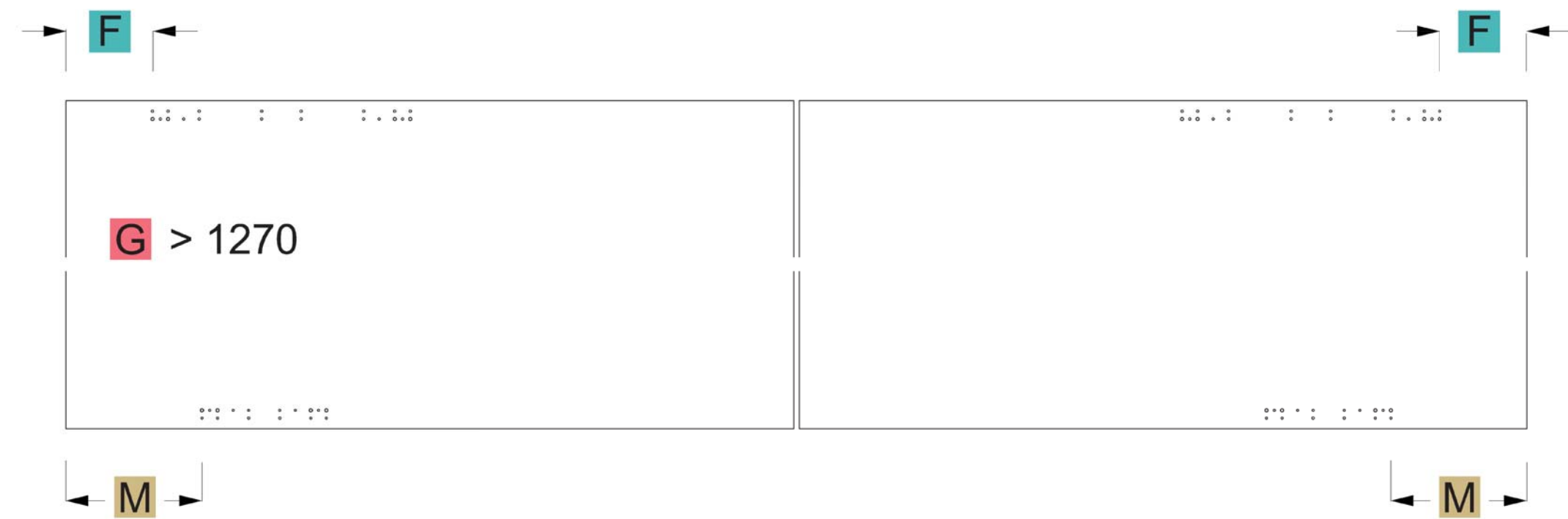


## Top Track



## Doors

**F** / **M** = centre of the first hole



**A** = total width

**C** = doors range

**D** = upper curves range

**D** = **G** + 193 mm

**G** = door width

**N** = **D** + 35 mm

**F** = ( **E** + **I** + 1 ) - ( **B** + 481,5 mm )

**M** = ( **E** + **I** + 1 ) - ( **B** + 353,5 mm )

$$\mathbf{G} = \frac{\mathbf{A} - (2 \mathbf{B} + \mathbf{C})}{2}$$

**H** = track length

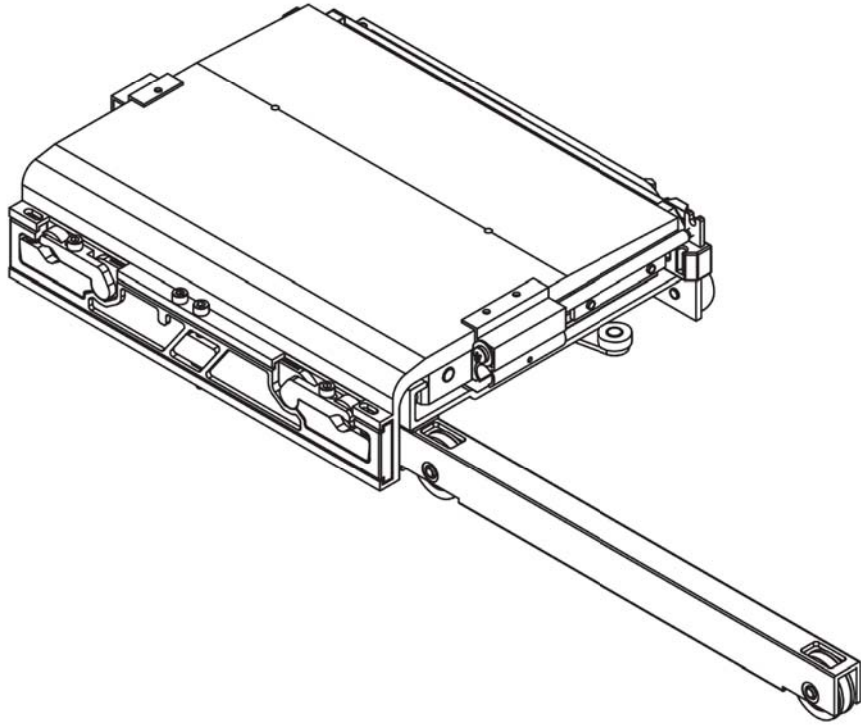
$$\mathbf{H} = \mathbf{A} - (2 \mathbf{I}) - 2 \text{ mm}$$

$$\mathbf{E} = \frac{\mathbf{H} - \mathbf{D}}{2}$$

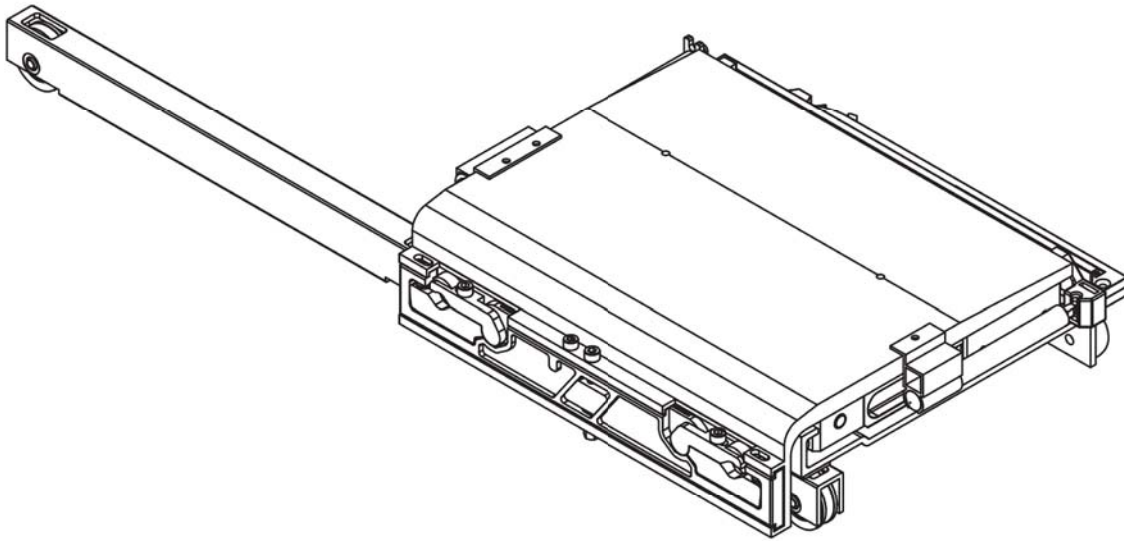
$$\mathbf{O} = \frac{\mathbf{H} - (\mathbf{N} + 690 \text{ mm})}{2}$$

**Step 15** Roller configurations

*2 doors configuration with 55kg*

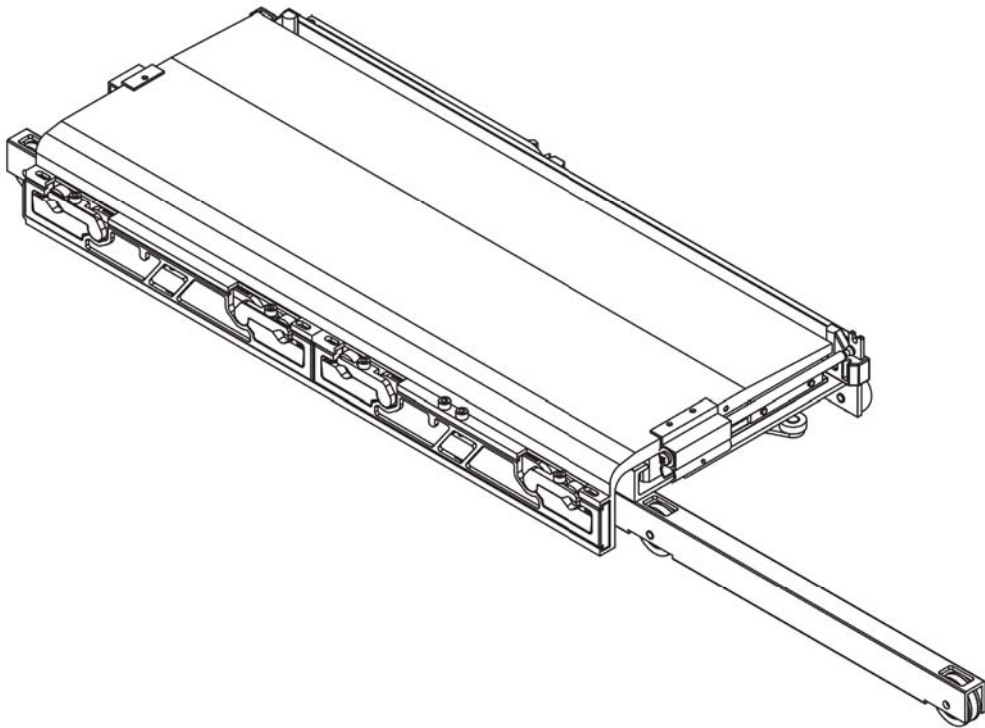


Left mechanism

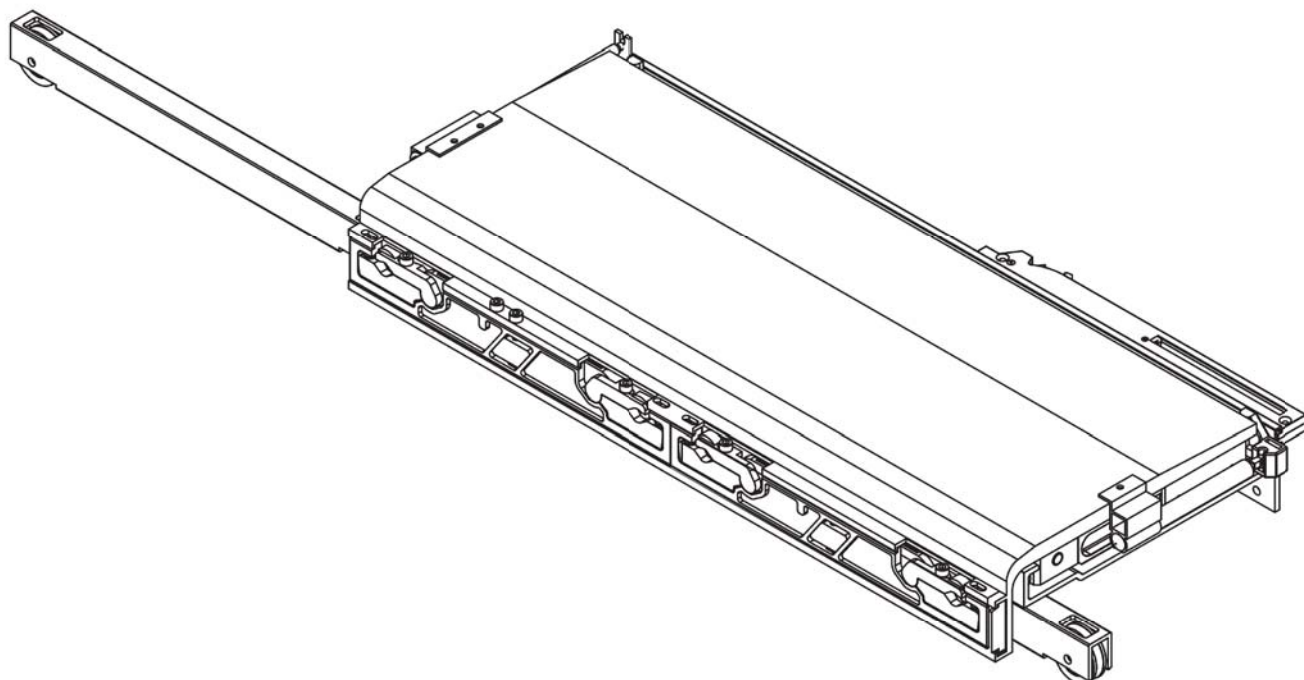


Right mechanism

*2 doors configuration with 85kg*



Left mechanism



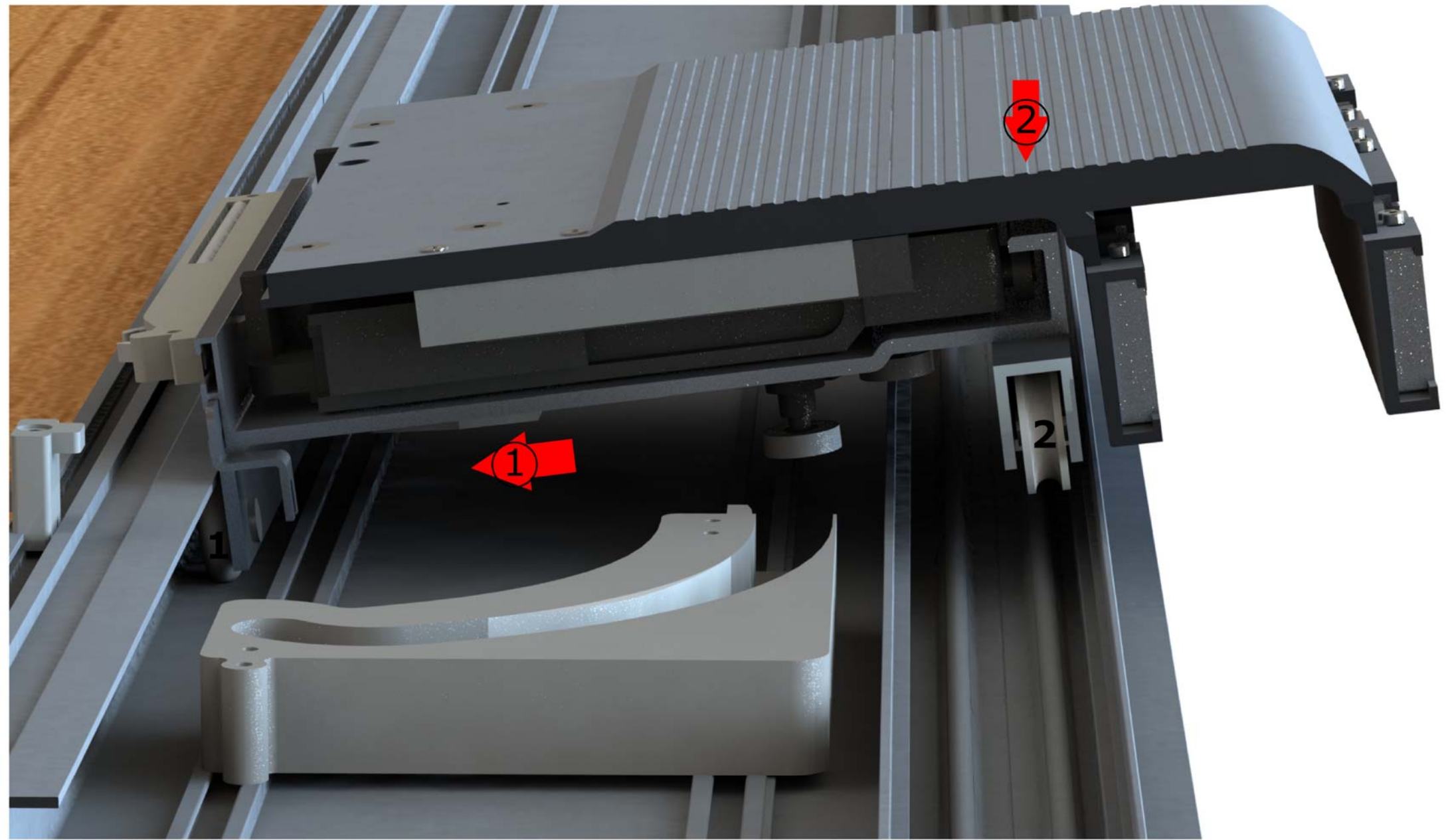
Right mechanism

**Step 16** Mounting rollers

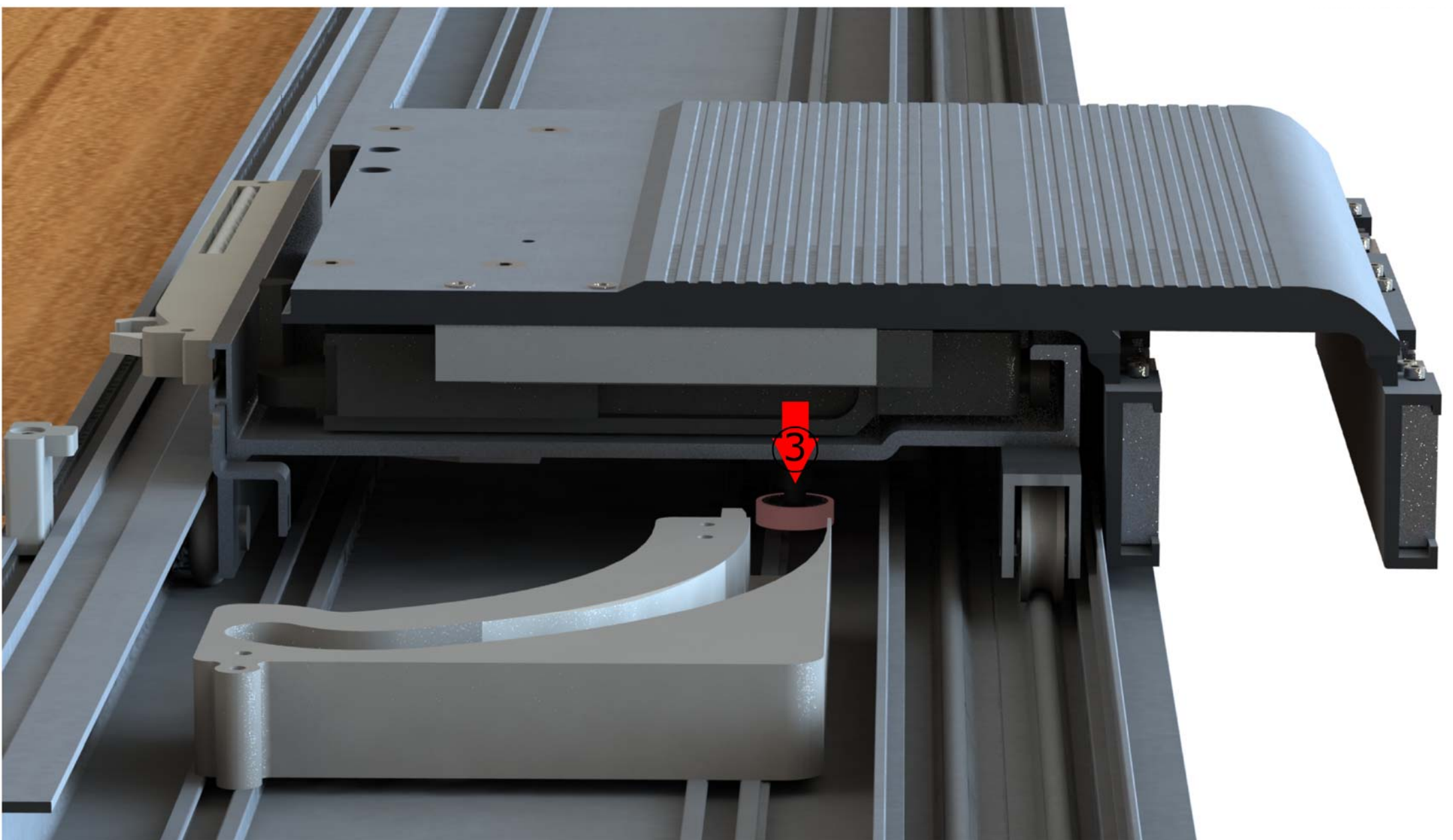
NOTE: the rollers MUST be in opened position

1- Push and slide, at an angle, the roller wheel (1) into track opening

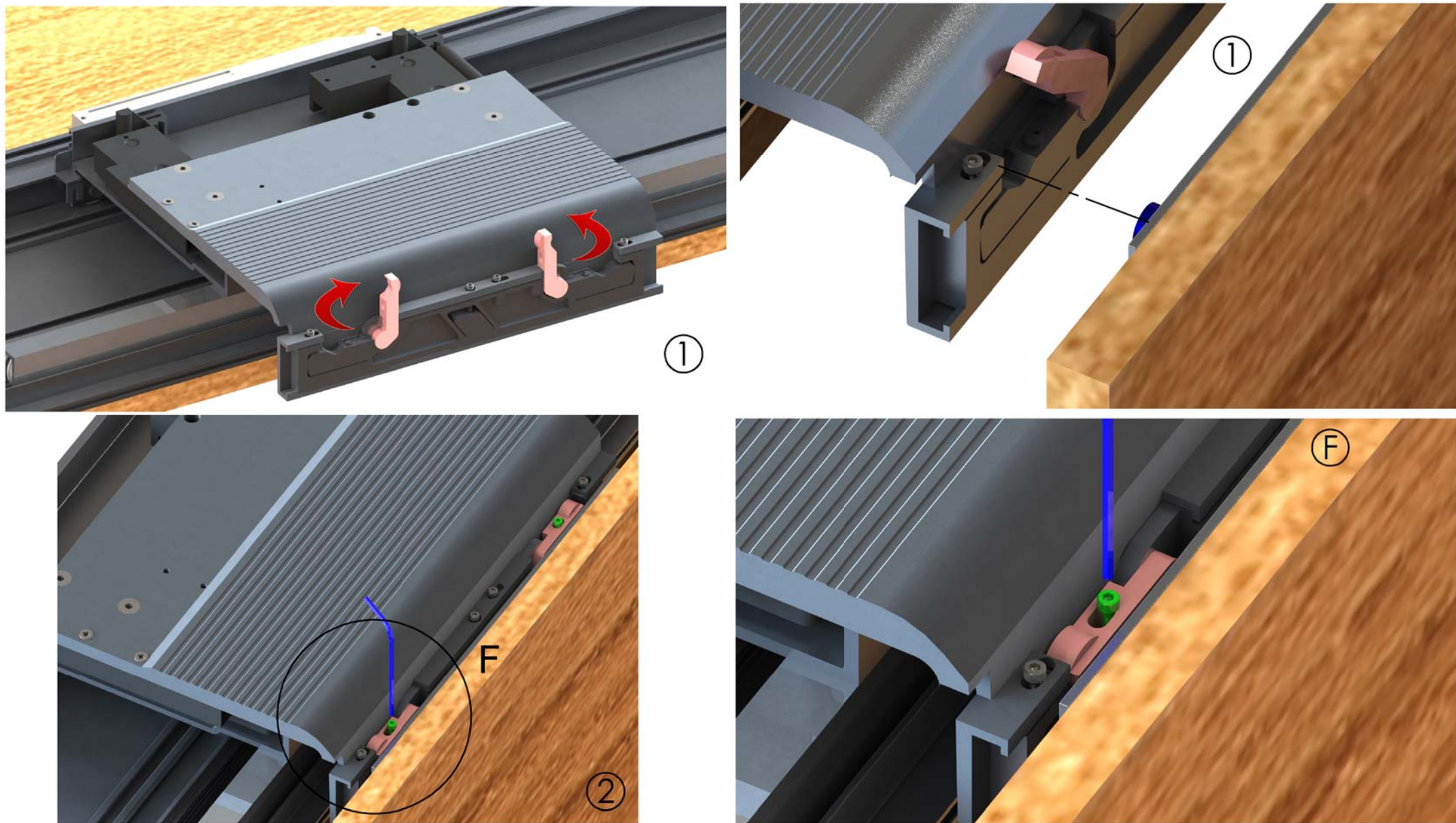
2- Then place the second wheel (2) on the track



3 - The guiding roller must slide into the curve



## Step 17 Mounting doors



1. Open the flaps and insert the door plate pins in place.
2. Close the flaps and secure it with screws.

## Step 18 Door adjustment

Use the screws on top of the hanger to adjust the height and level of the door

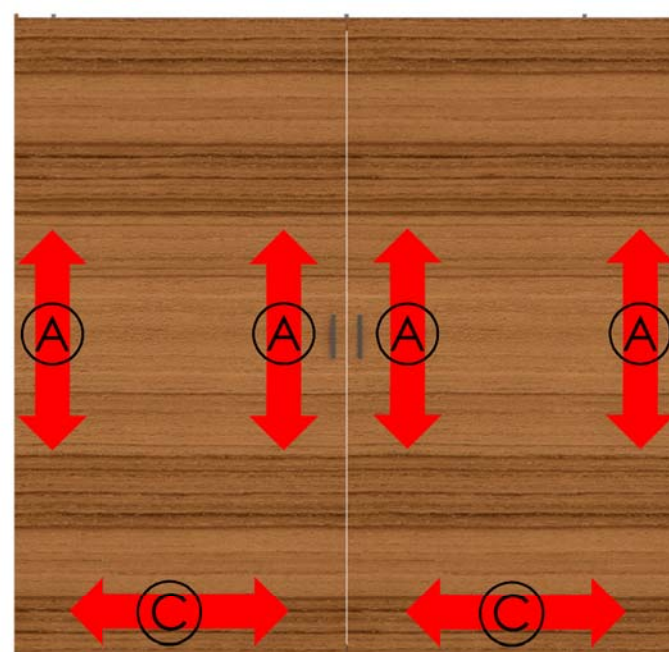
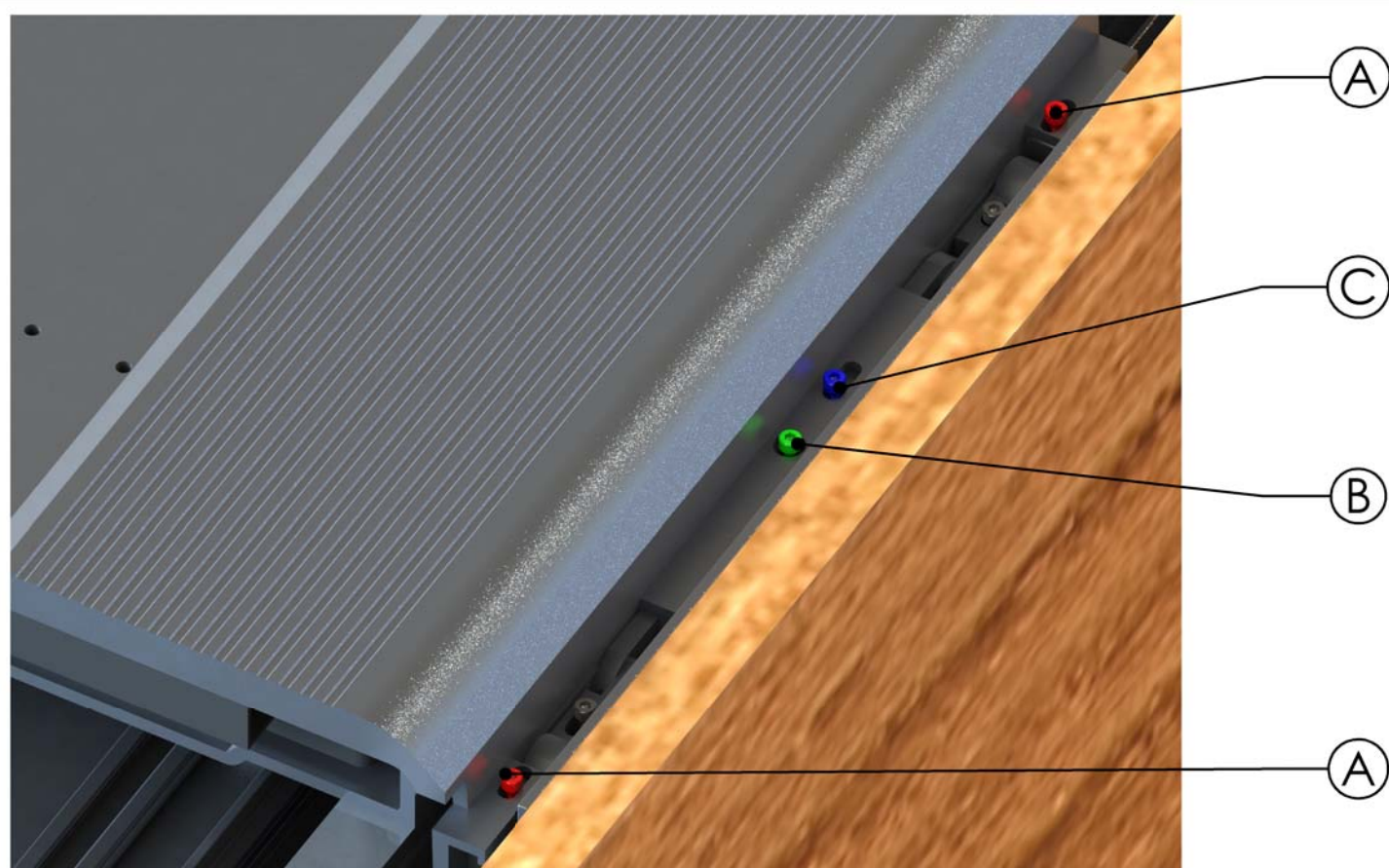
NOTE: The lower guide must be loose, the door must be closed.

A - Vertical adjustment

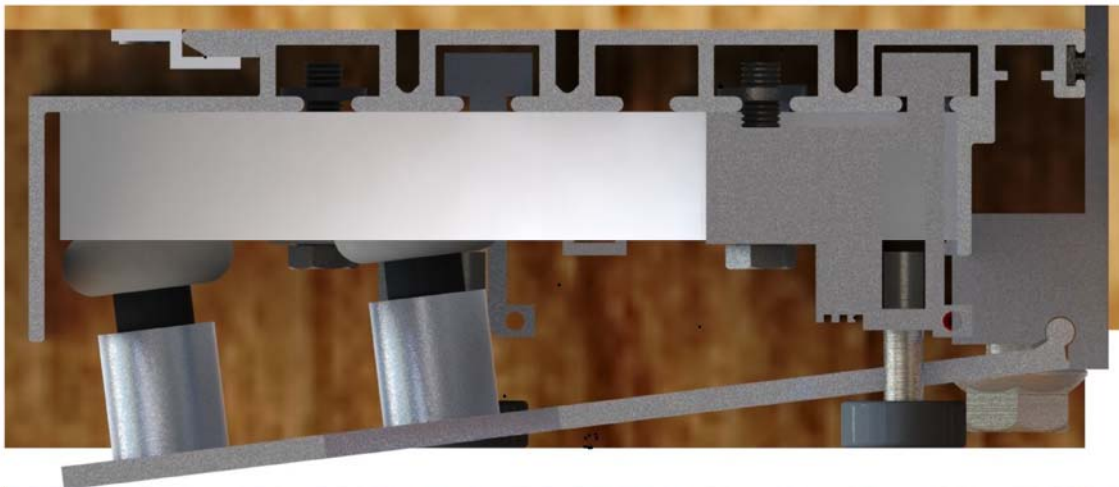
B - Lock screw

C - Horizontal adjustment

Start by unlocking screw B adjust screws A and C. After proper adjustment has been made **LOCK** screw B

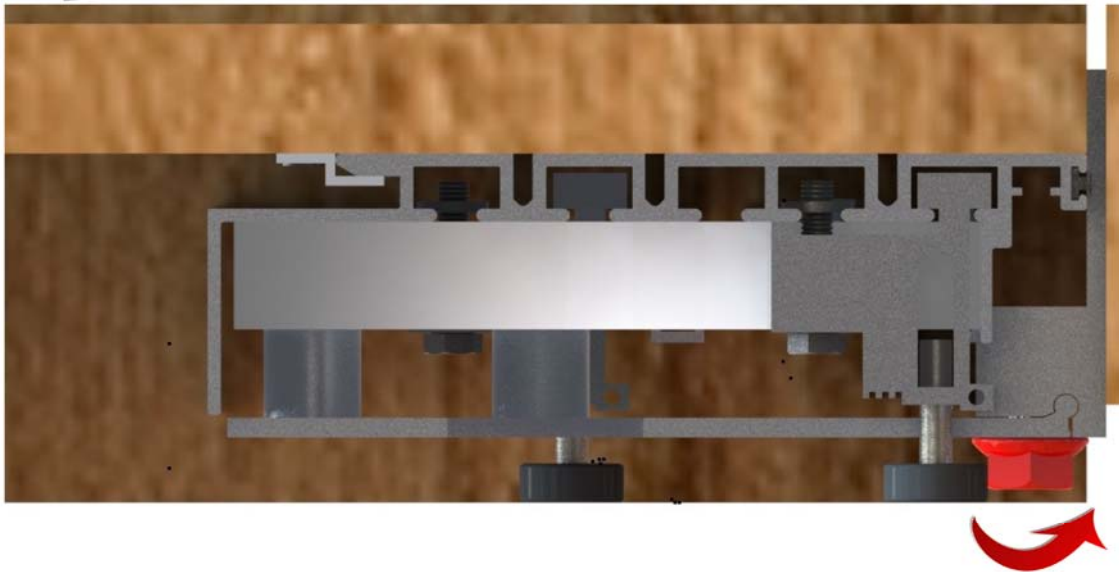


## Step 19 Inserting lower guide



The door must be closed.

Raise the guiding roller plate into track

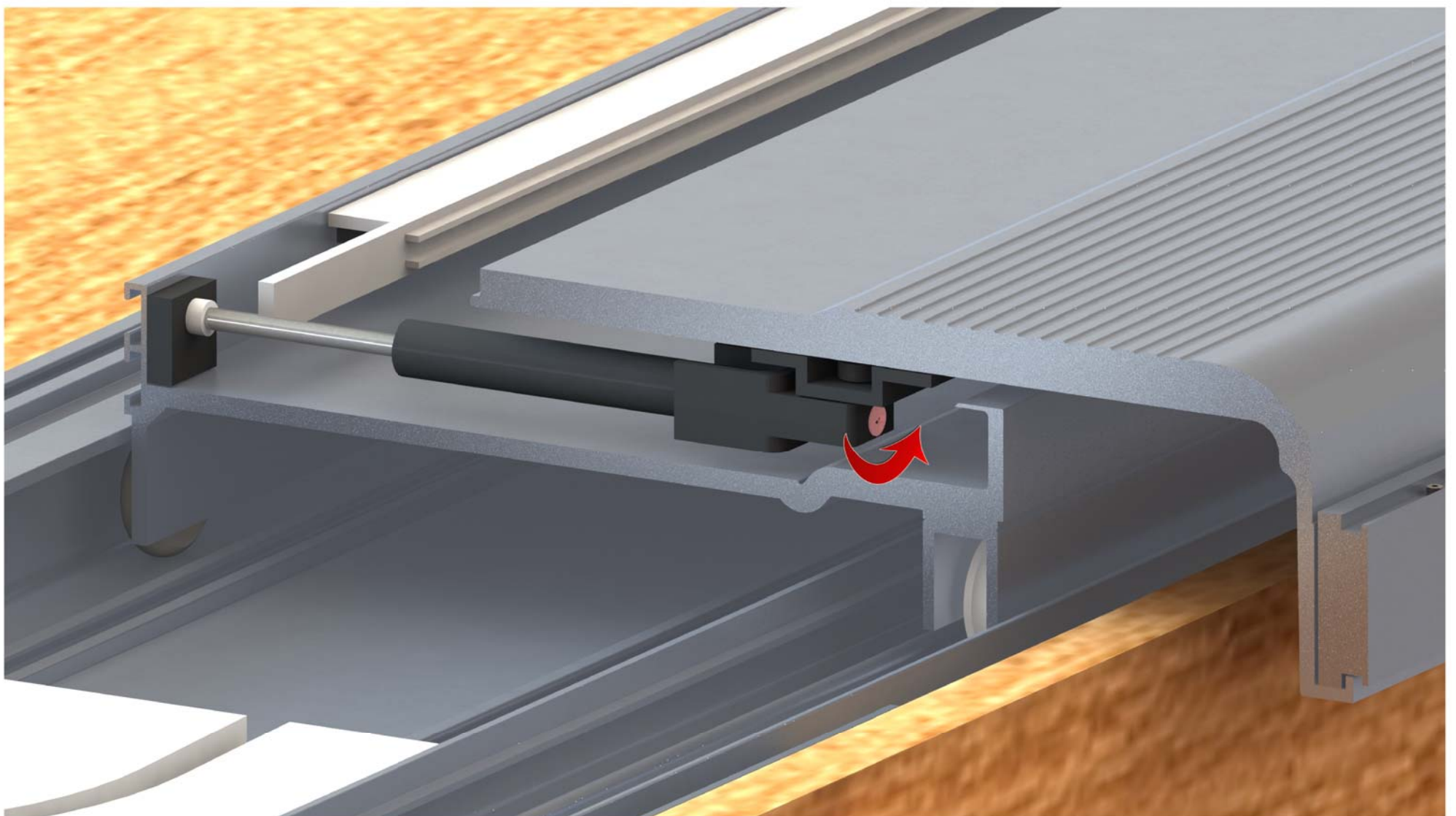


Secure the plate by tightening the screw.



The lower guide must slide into the curve.

## Step 20 Force adjustment



To adjust the force required to open or close the door adjust the screw located on top of the piston.

# FLUSHSLIDE 2 DOOR SYSTEM



Coburn Sliding Systems Limited

Unit 1, Cardinal West, Cardinal Way,  
Godmanchester, PE29 2XN, United Kingdom

Phone: +44 (0)20 8545 6680

Fax: +44 (0)20 8545 6720

E-mail: [sales@coburn.co.uk](mailto:sales@coburn.co.uk)

[www.coburn.co.uk](http://www.coburn.co.uk)