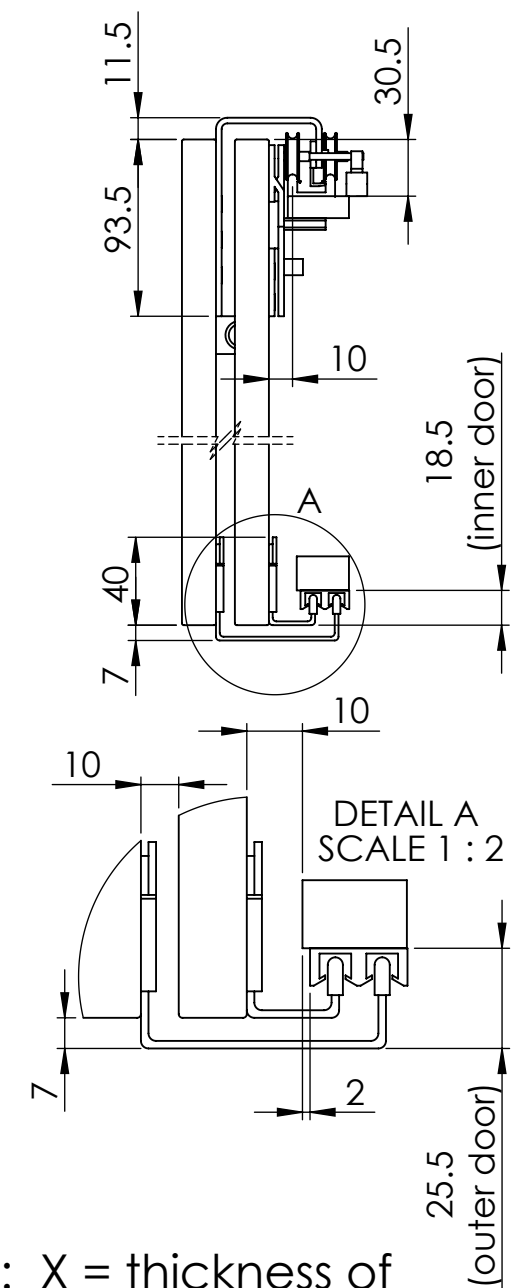
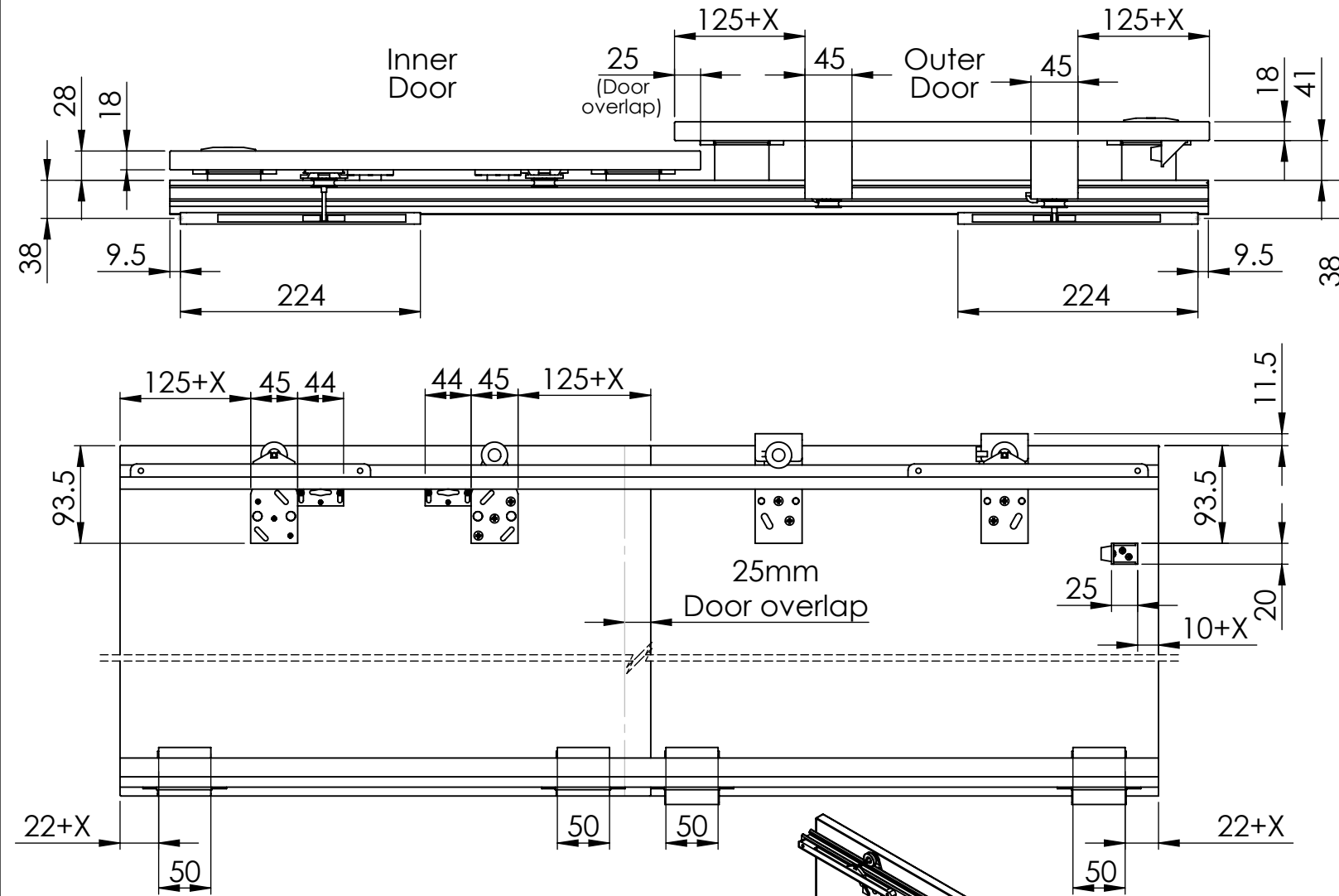


COMBINATION OF TWO DOORS WITH DAMPER



Door weight capacity = 45kg
 Door thickness = 18mm - 22mm
 Maximum door height = 2100mm

NOTE: X = thickness of side panel (carcass)

ECLAT-45 sliding wardrobe system

