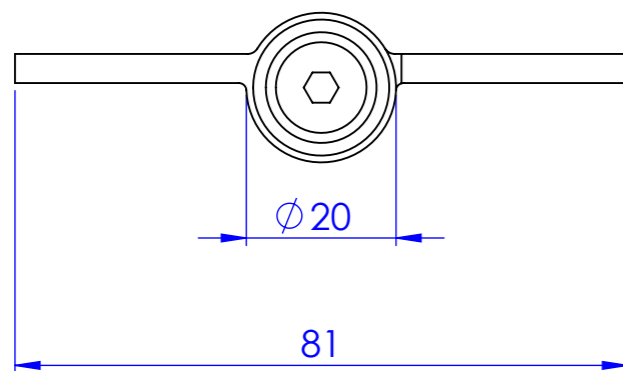
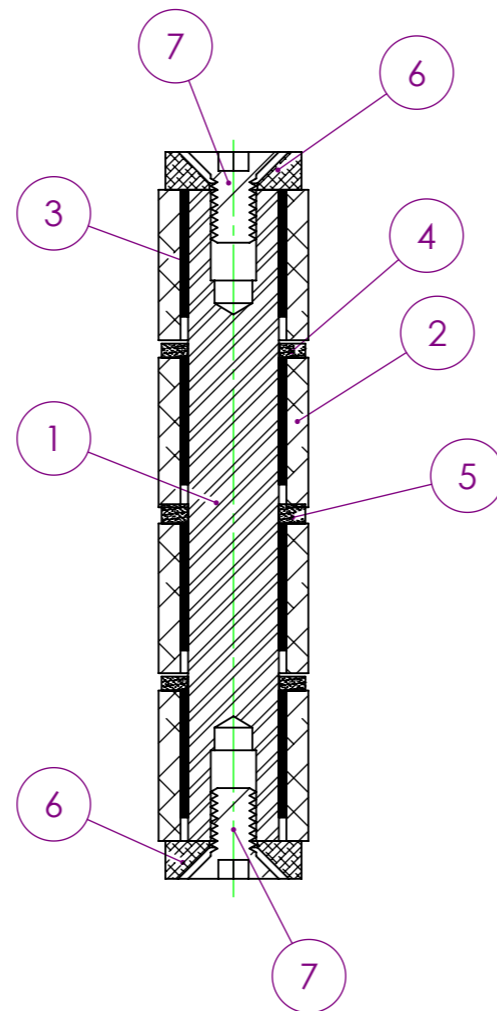
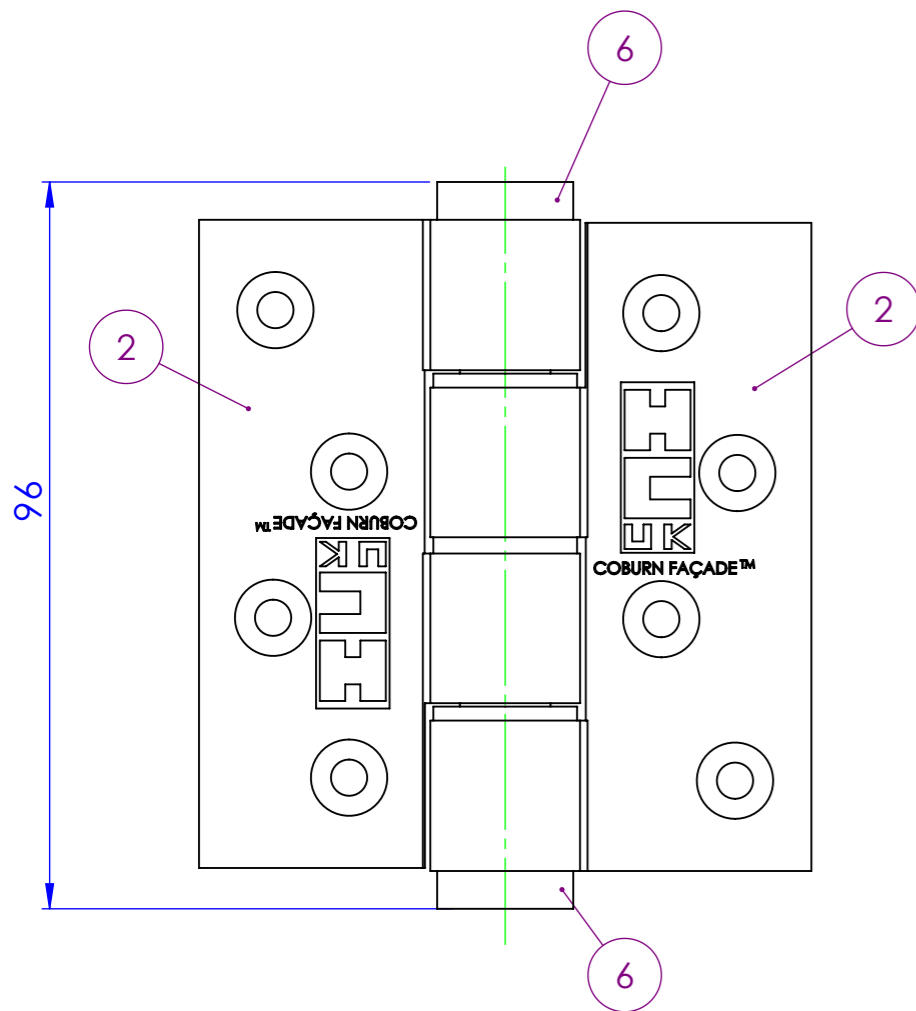


REVISIONS			
REV.	DESCRIPTION	DATE	APPROVED
01	ORIGINAL	01/03/2012	



ITEM NO.	PART NUMBER	DESCRIPTION	QTY.
1	04482.44	FACADE MID-HINGE PIN	1
2	05102.01	FACADE HINGE FLAP (AS)	2
3	05005.01	HINGE SLEEVE (PLASTIC)	4
4	03029.151	WASHER NO.1 (FACADE)	2
5	03029.152	WASHER NO.2 (FACADE)	1
6	03029.144	C'SK STAINLESS WASHER	2
7	03014.44	M6 x 12 SKT CSK SCREW	2

COBURN
SLIDING SYSTEMS

HILLALDAM COBURN LTD
UNIT 16, MERTON INDUSTRIAL PARK
LEE ROAD, LONDON
SW19 3HX,
UK
TEL:+44 (020) 8545 6680 FAX:+44 (020) 8545 6723
E-Mail:sales@hillaldam.co.uk
Web:www.coburn.co.uk

© COPYRIGHT HILLALDAM COBURN LTD

THE INFORMATION CONTAINED IN THIS DRAWING IS THE SOLE PROPERTY OF <HILLALDAM COBURN LTD>. ANY REPRODUCTION IN PART OR AS A WHOLE WITHOUT THE WRITTEN PERMISSION OF <HILLALDAM COBURN LTD> IS PROHIBITED.

MATERIAL
SEE INDIVIDUAL PART DRAWINGS

FINISH
SEE INDIVIDUAL PART DRAWINGS

UNLESS OTHERWISE SPECIFIED:

DIMENSION(mm) TOLERANCE
ZERO PL DECIMAL ±0.2
ONE PL DECIMAL ±0.1
TWO PL DECIMAL ±0.05

ANGULAR TOLERANCE ±0.5°

FORGING TOLERANCE SEE BS 4114

COMMENTS: REMOVE ALL SHARP EDGES AND BURRS

DRAWN DATE
BRYAN.S.A 01/03/2012

CHECKED DATE
01/03/2012

DIMENSIONS ARE IN mm
DO NOT SCALE DRAWING

FILE DRG. No.
3/ 00000/ 000

TITLE:
FAÇADE INTERMEDIATE HINGE

SIZE DRG/PART. No. REV
A3 09763.01 01

SCALE: NTS WEIGHT: SHEET: 1/1