

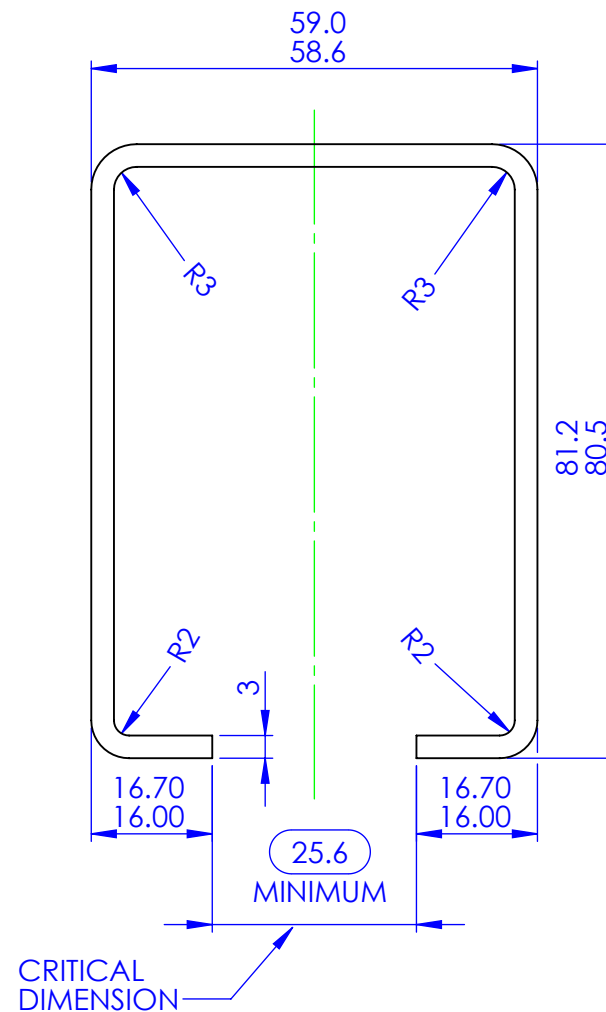
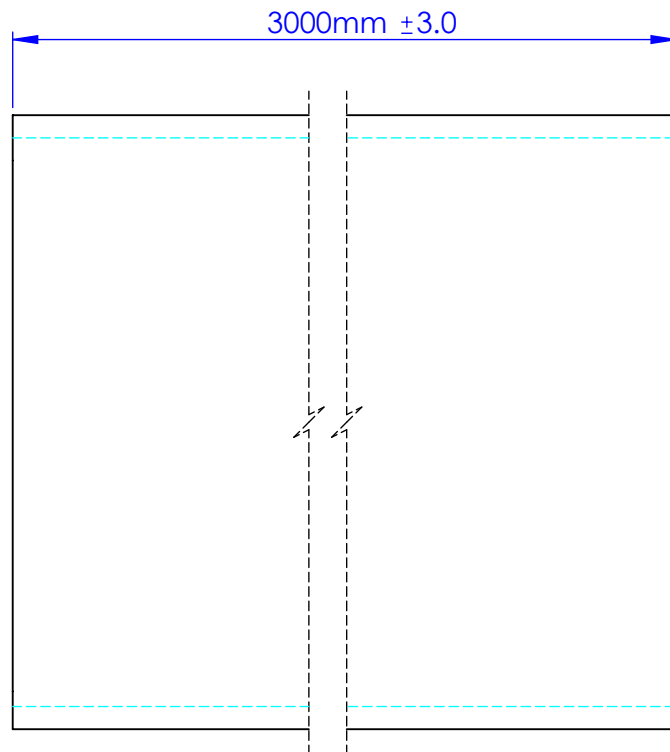
**NOTE:**

LENGTH TO BE SUPPLIED STRAIGHT & FREE FROM TWIST.

FLARE AT ENDS OF SECTION TO BE KEPT TO A MINIMUM.

MATERIAL; PRIME BRIGHT SPANGLED GALVANISED MILD STEEL SLIT COIL, 3mm ±0.25 THICK x 231mm ±0.127 WIDE, Z 2G 275 N TO BS 2989:1982.

TO BE FREE FROM WHITE RUST & OTHER DEFECTS.



REMOVE ALL BURRS AND SHARP EDGES

REVISIONS				DO NOT SCALE DIMENSIONS IN mm	FILE DRG No. 0 / 00000 / 000
REV.	DESCRIPTION	DATE	APPROVED		
01		06/02/1987			
02		08/08/1988			
03	M3483	28/05/2004	S.K		

DO NOT SCALE DIMENSIONS IN mm

FILE DRG No. 0 / 00000 / 000



**UNLESS OTHERWISE SPECIFIED:**

**DIMENSION TOLERANCE**  
 METRIC ±0.2mm  
 IMPERIAL ±0.005"  
 FRACTIONS ±1/64"

ANGULAR TOLERANCE ±0.5°

FORGING TOLERANCE SEE BS 4114



HILLALDAM COBURN LTD  
 UNIT 16, MERTON INDUSTRIAL PK  
 LEE ROAD, LONDON  
 SW19 3HX, ENGLAND  
 TEL: +44 (0)20 8545 6680  
 FAX: +44 (0)20 8545 6723  
 e-mail: sales@hillaldam.co.uk  
 www.coburn.co.uk

COPYRIGHT HILLALDAM COBURN LTD ©

THE INFORMATION CONTAINED IN THIS DRAWING IS THE SOLE PROPERTY OF <HILLALDAM COBURN LTD>. ANY REPRODUCTION IN PART OR AS A WHOLE WITHOUT THE WRITTEN PERMISSION OF <HILLALDAM COBURN LTD> IS PROHIBITED.

TITLE	<b>10-30 TRACK LENGTHS</b>	
MATERIAL	SEE NOTE	
FINISH	SELF COLOUR	
DRAWN	DATE	
BRYAN.S.A	28/03/2012	
CHECKED	DATE	
	28/03/2012	
SCALE: 1:1	SIZE: A4	SHEET: 1/1
DRG/PART. No.	ISSUE	
<b>10330</b>	<b>03</b>	