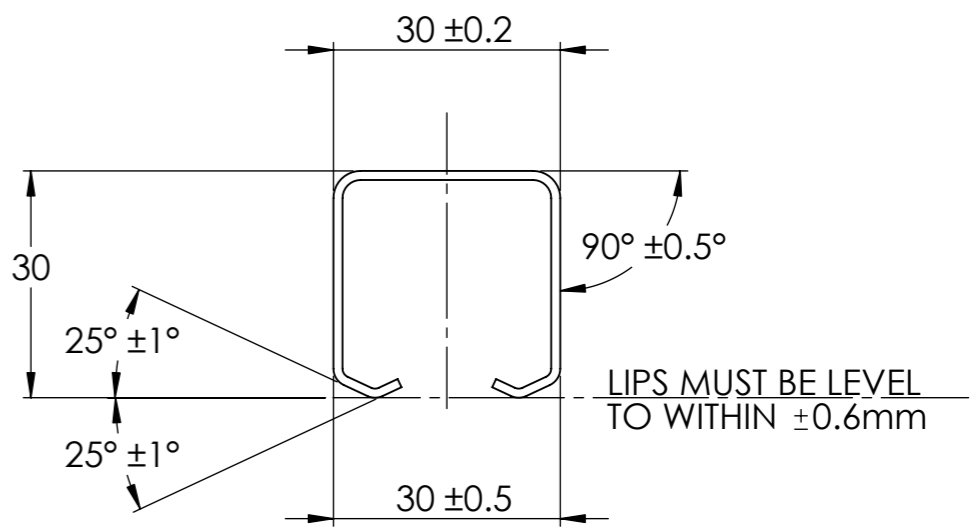


REVISIONS			
REV.	DESCRIPTION	DATE	APPROVED
01		15/03/88	
02		22/04/88	
03		25/08/88	
04	M3191	21/04/92	



- NOTE:**
- CURVE FLATNESS (INCLUDING TWIST) TO BE WITHIN  $\pm 0.6\text{mm}$ .
  - CURVE TO BE FORMED FROM OVERSIZE LENGTH OF TRACK AND TRIMMED TO CORRECT ANGLE AFTER (DEVELOPED LENGTH 943mm).
  - LIPS AND SIDES MUST BE FREE OF RIPPLE.

**COBURN**  
SLIDING SYSTEMS

HILLALDAM COBURN LTD  
UNIT 16, MERTON INDUSTRIAL PARK  
LEE ROAD, LONDON  
SW19 3HX,  
UK

COPYRIGHT HILLALDAM COBURN LTD

THE INFORMATION CONTAINED IN THIS DRAWING IS THE SOLE PROPERTY OF <HILLALDAM COBURN LTD>. ANY REPRODUCTION IN PART OR AS A WHOLE WITHOUT THE WRITTEN PERMISSION OF <HILLALDAM COBURN LTD> IS PROHIBITED.

<b>MATERIAL</b>	UNLESS OTHERWISE SPECIFIED: <b>DIMENSIONS ARE IN MM</b>
<b>3 / 11140.95 / 438</b>	<b>TOLERANCES:</b> FRACTIONAL $\pm$ ANGULAR: MACH $\pm 0.5^\circ$ BEND $\pm$ ZERO PLACE DECIMAL $\pm 0.2$ ONE PLACE DECIMAL $\pm 0.2$ TWO PLACE DECIMAL $\pm 0.05$
<b>FINISH</b>	INTERPRET GEOMETRIC TOLERANCING PER:
<b>SELF COLOUR</b>	DO NOT SCALE DRAWING
APPLICATION	

	NAME	DATE
DRAWN	R. H	12/01/88
CHK	B. S. A	03/02/10
Q.A.		
COMMENTS:		
REMOVE ALL SHARP EDGES		

CAD FILE:	3 / 1-12-69 / 438	
TITLE:	CURVE 1-12 TRACK	
SIZE	DWG. NO.	REV
<b>A3</b>	<b>1-12-69</b>	<b>04</b>
SCALE: NTS	WEIGHT:	SHEET 1 OF 1