

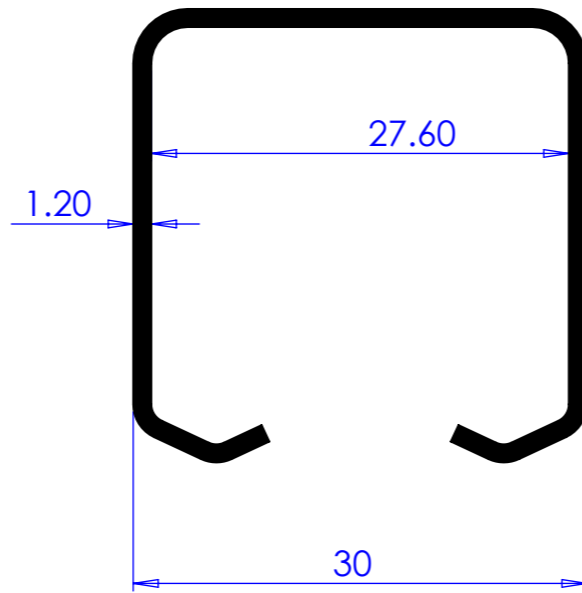
8 7 6 5 4 3 2 1

D

C

B

A



COBURN
SLIDING SYSTEMS

HILLALDAM COBURN LTD
UNIT 16, MERTON INDUSTRIAL PARK
LEE ROAD, LONDON
SW19 3HX,
UK

COPYRIGHT HILLALDAM COBURN LTD

THE INFORMATION CONTAINED IN THIS DRAWING IS THE SOLE PROPERTY OF <HILLALDAM COBURN LTD>. ANY REPRODUCTION IN PART OR AS A WHOLE WITHOUT THE WRITTEN PERMISSION OF <HILLALDAM COBURN LTD> IS PROHIBITED.

MATERIAL	UNLESS OTHERWISE SPECIFIED: DIMENSIONS ARE IN MM		NAME	DATE	CAD FILE:
	STAINLESS STEEL	TOLERANCES: FRACTIONAL ± ANGULAR: MACH ±0.5 BEND ± ZERO PLACE DECIMAL ± 0.2 ONE PLACE DECIMAL ±0.1 TWO PLACE DECIMAL ±0.05	DRAWN	E.JOHNSON	
FINISH			INTERPRET GEOMETRIC TOLERANCING PER: REMOVE ALL SHARP EDGES	CHK	
LINISH	COMMENTS:	Q.A.			
APPLICATION	DO NOT SCALE DRAWING				SIZE A3 DWG. NO. 51521-30 REV 01 SCALE: 2:1 WEIGHT: SHEET 1 OF 1

8 7 6 5 4 3 2 1