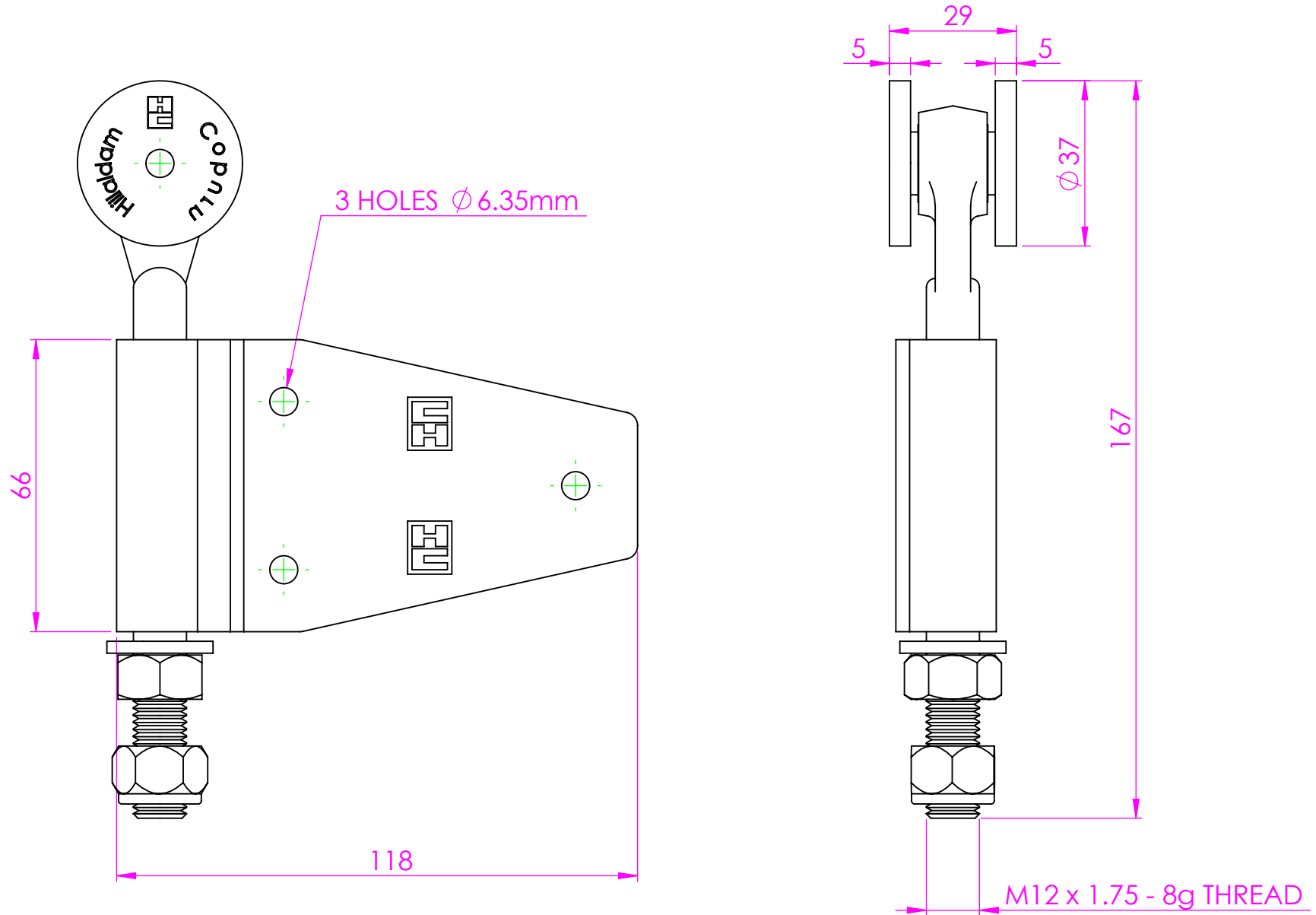


2-217 TWO WHEEL END HANGER STEEL BACKFLAPS



MATERIAL: ALL STEEL

BALL BEARINGS PERMANENTLY LUBRICATED