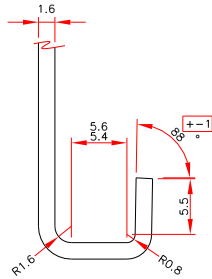
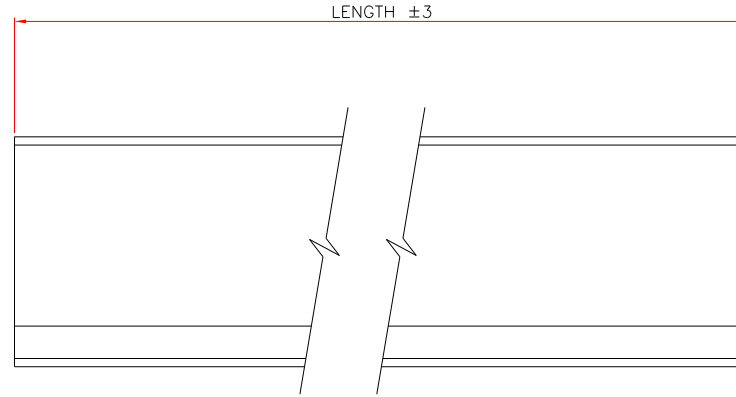
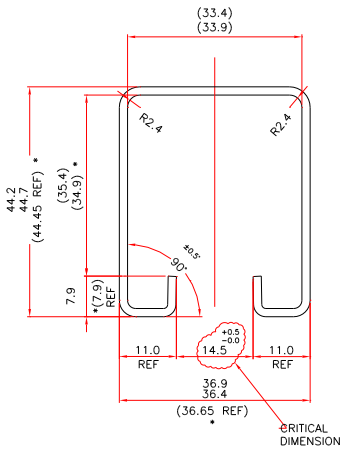


HC 2-16

IDENTIFICATION MARK
STAMPED ON TOP OF TRACK
TO SUIT DIAMETER OF ROLLS.



SCRAP VIEW
SCALE 2:1

* NOTE:-
DIMENSIONS IN
BRACKETS REFER
TO PART No.
9002.95 ONLY.

PART No.	LENGTH	CAT. No.
3/9002.95/438	1067	
C/9002.15/438	1500	2-16-15
C/2-16-18/438	1800	2-16-18
2-16-21	2100	2-16-21
2-16-24	2400	2-16-24
2-16-27	2700	2-16-27
2-16-30	3000	2-16-30
2-16-40	4000	2-16-40
2-16-50	5000	2-16-50
2-16-60	6000	2-16-60

OBSOLETE

NOTE:-
LENGTHS TO BE SUPPLIED STRAIGHT AND FREE FROM TWIST
ALLOWABLE FLARE TOLERANCES AT END ± 0.5
TRAILING STRUCK END AND LEADING END 37.0

MATERIAL:-
PRIME BRIGHT SPANGLED GALVANISED MILD STEEL .
1.6mm THICK x 145.5mm WIDE
STRIP EN10142 Fe P02G Z 275 N A C
TO BE FREE FROM WHITE RUST & OTHER DEFECTS.

PT No.'s C/9002.15/438
OBSOLETE
M2461 29.06.84

DRG No
2-16-18 TO 60
DO NOT SCALE

DRN	NAME	DATE
DRN	GERICKE	27.05.04
CHKD	S.K.	29.05.04
QA	S.K.	29.05.04
ISSUE	MOD No	DATE
3		12.08.80
4		29.06.84
5		08.02.85
6		07.03.84
7		
8		11.08.88
9		16.02.89
10	M3191	21.04.92
11	M3200	02.06.94
12	M3362	22.06.98
13	M3483	27.05.04



HILLDAM COBURN LTD
UNIT 6, WYVERN ESTATE, BEVERLEY WAY,
NEW MALDEN, SURREY, KT3 4PH, ENGLAND.
TEL:- 020 8336 1515
FAX:- 020 8336 1414
CAD FILE No.
COBURN\2-16-18 TO 60.DWG

FINISH	SELF COLOUR	TOLERANCES	SCALE 1:1
		0 Dec Pl ± 0.5 mm	DIMENSIONS IN mm
		1 Dec Pl ± 0.2 mm	
MATERIAL	SEE ABOVE	2 Dec Pl ± 0.1 mm	COPYRIGHT HILLDAM COBURN Ltd ALL RIGHTS RESERVED NO UNAUTHORISED COPYING
		HOLES ± 0.12 mm	
TITLE	STANDARD LENGTHS TRACK 2-16	ANGLES $\pm 0.5^\circ$ (UNLESS STATED)	DRG No 2-16-18 TO 60 / 438

A3

