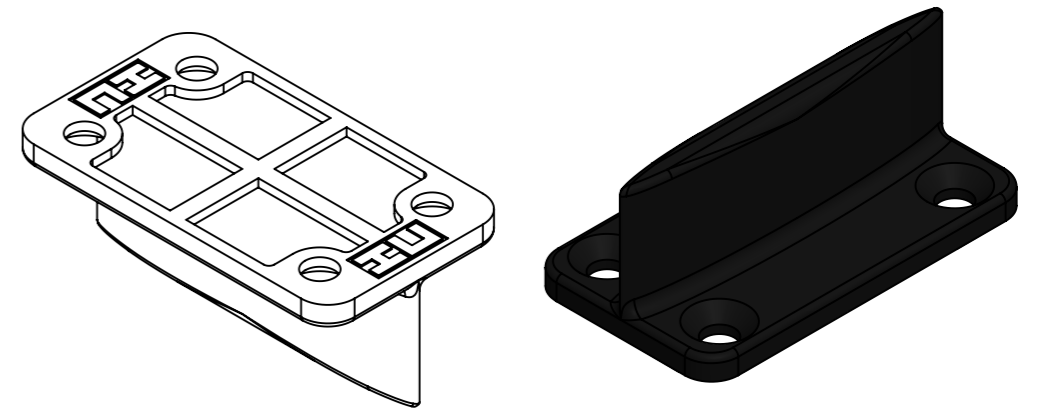
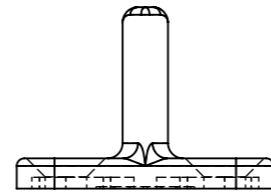
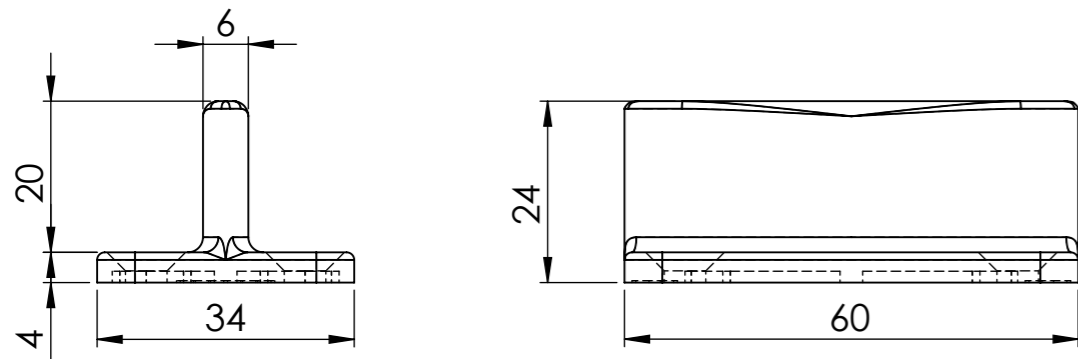
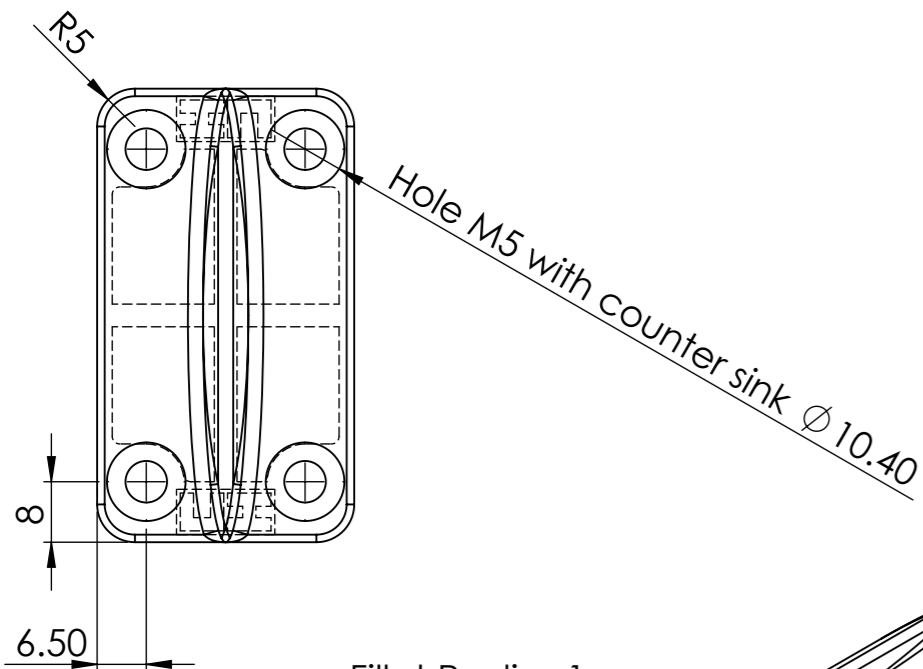


FRONT SECTION

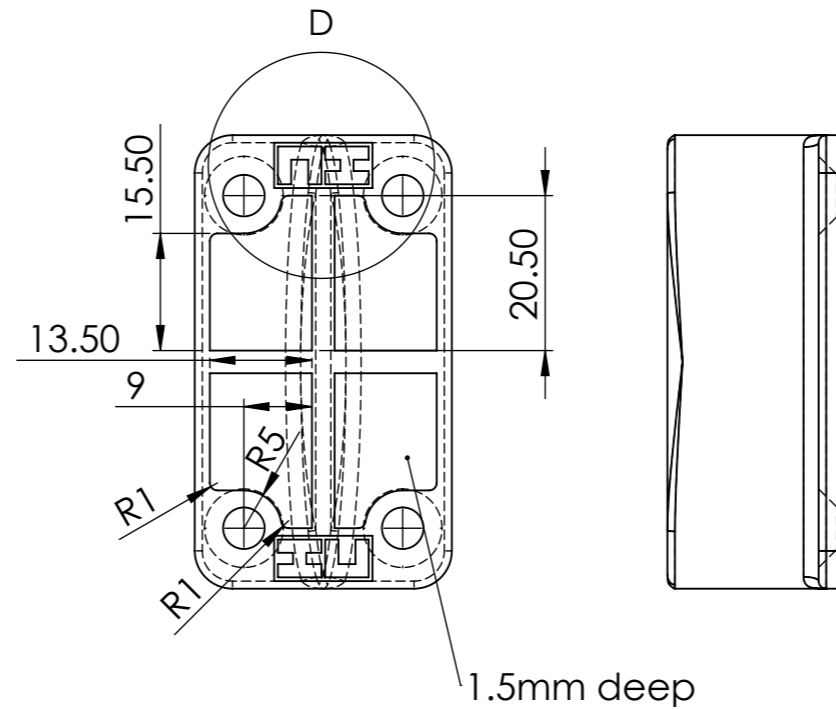


Revisions

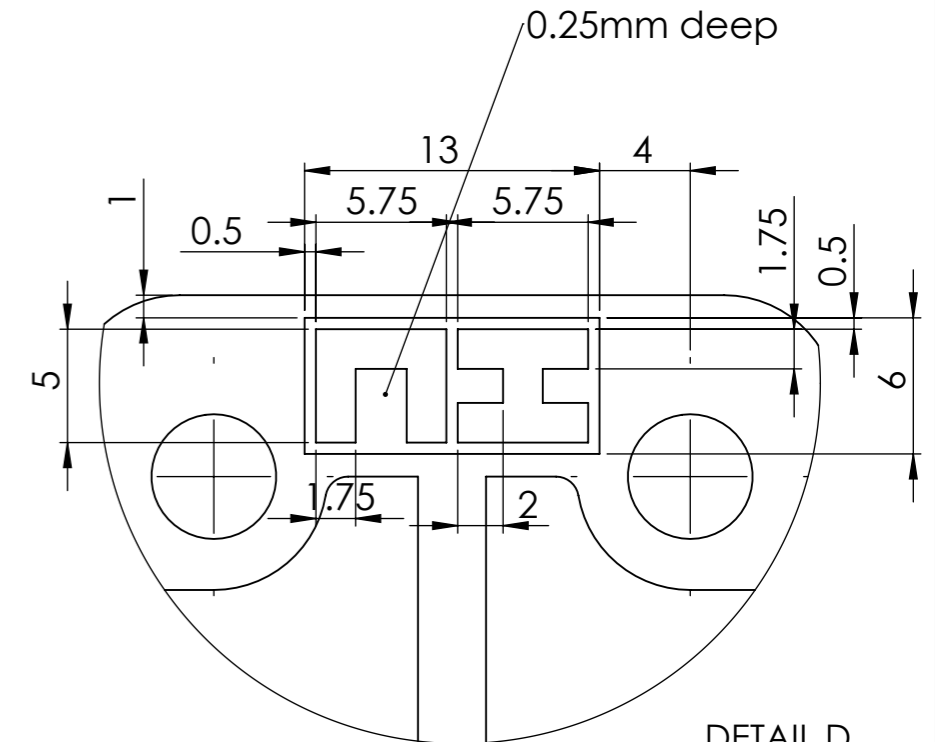
| Rev | Modification No | Date     | Approved |
|-----|-----------------|----------|----------|
| 01  | M-3828          | 21/05/13 | MUS      |



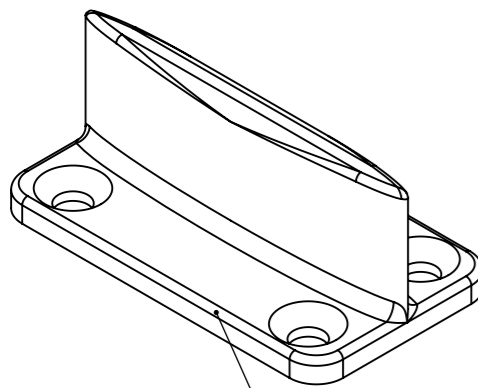
Fillet Radius 1mm



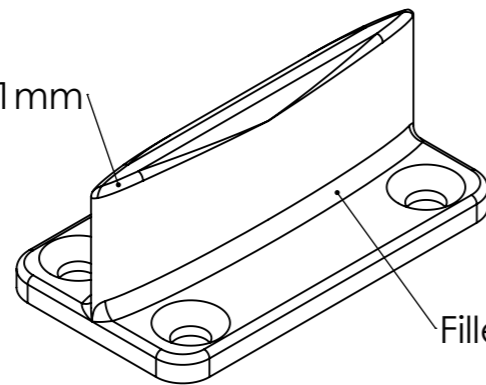
BACK SECTION



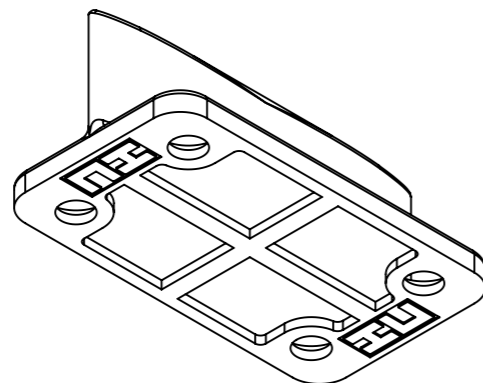
DETAIL D  
SCALE 3 : 1



Fillet Radius 1mm



Fillet radius 2mm



HILLALDAM COBURN LTD  
UNIT 16, MERTON INDUSTRIAL PARK  
LEE ROAD, LONDON  
SW19 3HX,  
UK  
TEL:+44 (02)0 8545 6680 FAX:+44 (02)0 8545 6723  
E-Mail:sales@hillaldam.co.uk  
Web:www.coburn.co.uk

|  |   |  |                    |  |
|--|---|--|--------------------|--|
| MATERIAL<br>Nylon  | UNLESS OTHERWISE SPECIFIED:<br><b>DIMENSION(mm)</b> <b>TOLERANCE</b><br>ZERO PL DECIMAL ±0.8<br>ONE PL DECIMAL ±0.5<br>TWO PL DECIMAL ±0.08 | DRAWN<br>MUS                                 | DATE<br>21/05/2013 | FILE DRG. No.<br>1/22392.01/                       |
| FINISH<br>Black  | ANGULAR TOLERANCE ±0.5°<br>FORGING TOLERANCE SEE BS 4114  | CHECKED<br>MUS                               | DATE<br>21/05/2013 | TITLE:<br><b>Black Nylon Guide Straightway 250</b> |
| COPYRIGHT HILLALDAM COBURN LTD ©<br>THE INFORMATION CONTAINED IN THIS DRAWING IS THE SOLE PROPERTY OF <HILLALDAM COBURN LTD>. ANY REPRODUCTION IN PART OR AS A WHOLE WITHOUT THE WRITTEN PERMISSION OF <HILLALDAM COBURN LTD> IS PROHIBITED. |   | DIMENSIONS ARE IN mm<br>DO NOT SCALE DRAWING |                    | SIZE<br><b>A4</b>                                  |
| COMMENTS:<br>REMOVE ALL SHARP EDGES AND BURRS  |   | DRG/PART. No.<br><b>22392.01</b>             |                    | REV<br><b>01</b>                                   |
| SCALE: NTS   |   | WEIGHT:                                      |                    | SHEET: 1/1   |