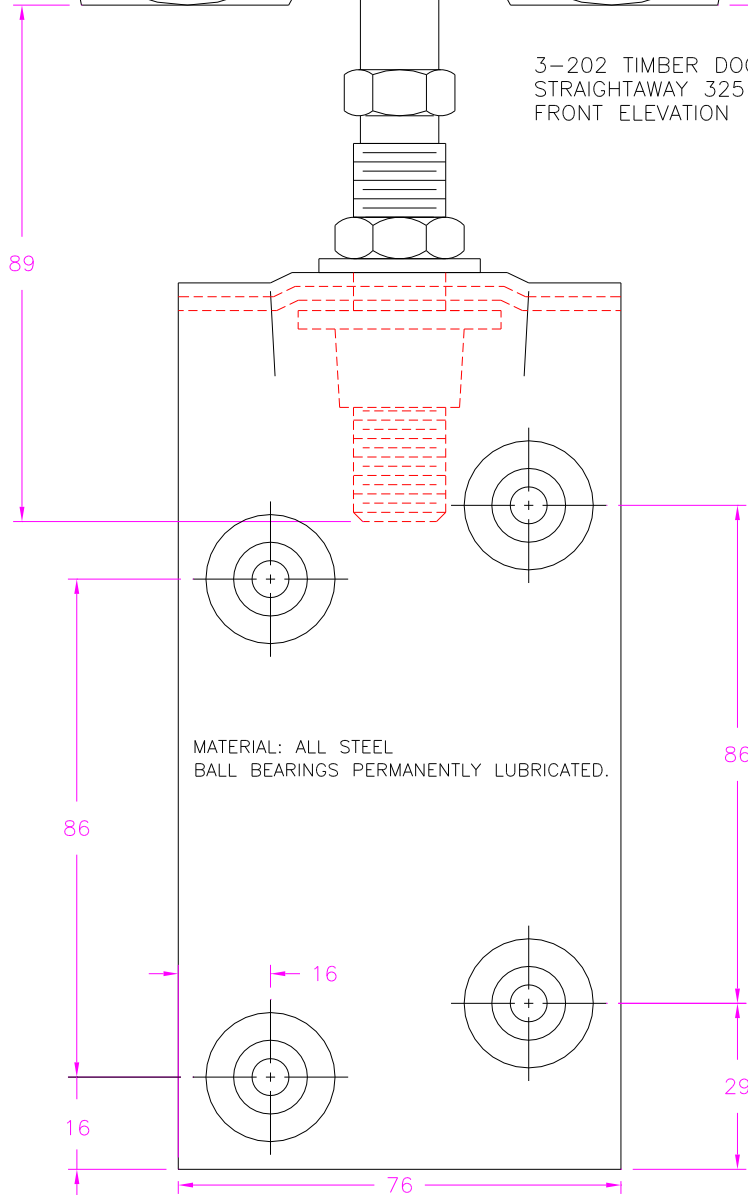
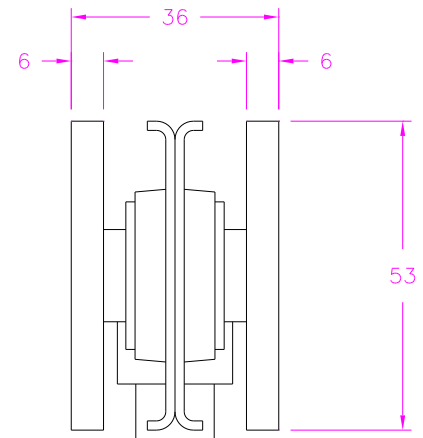


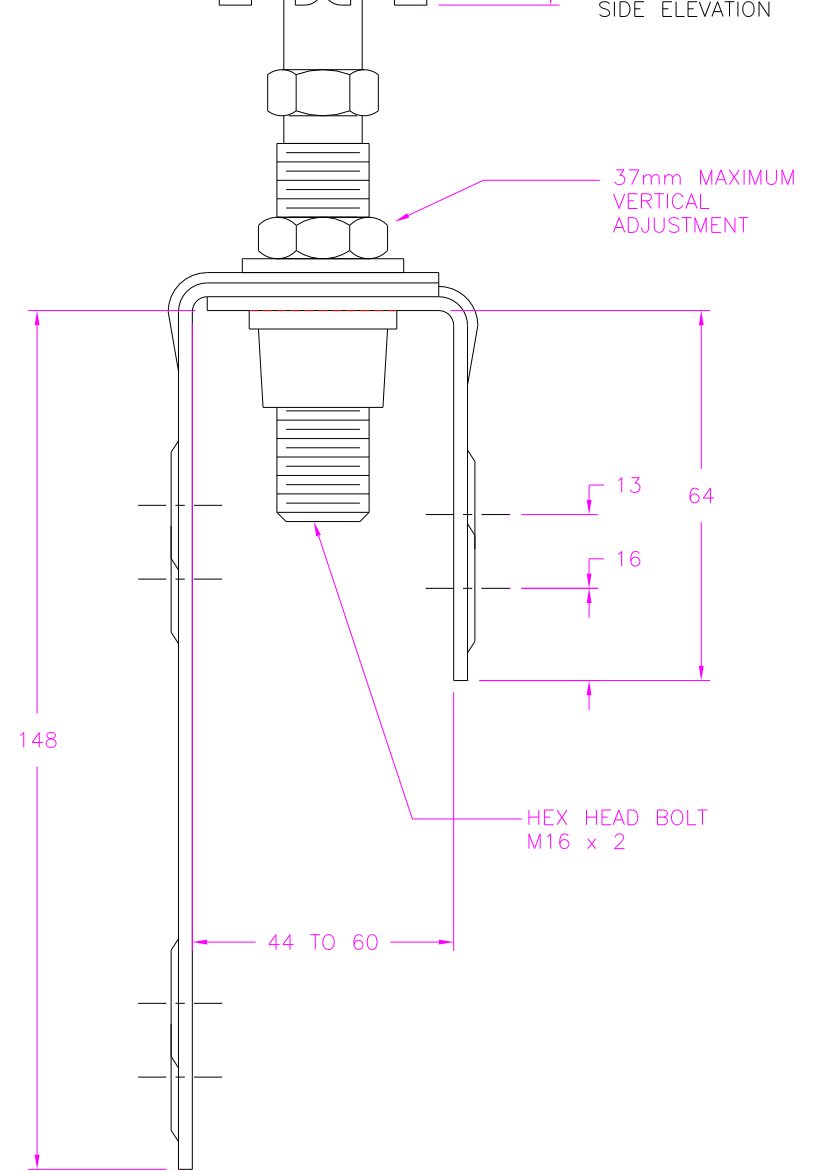
3-202 TIMBER DOOR HANGER
STRAIGHTAWAY 325 SERIES
FRONT ELEVATION



MATERIAL: ALL STEEL
BALL BEARINGS PERMANENTLY LUBRICATED.



3-202 TIMBER DOOR HANGER
STRAIGHTAWAY 325 SERIES
SIDE ELEVATION



37mm MAXIMUM
VERTICAL
ADJUSTMENT

HEX HEAD BOLT
M16 x 2