

8 7 6 5 4 3 2 1

F

F

E

E

D

D

C

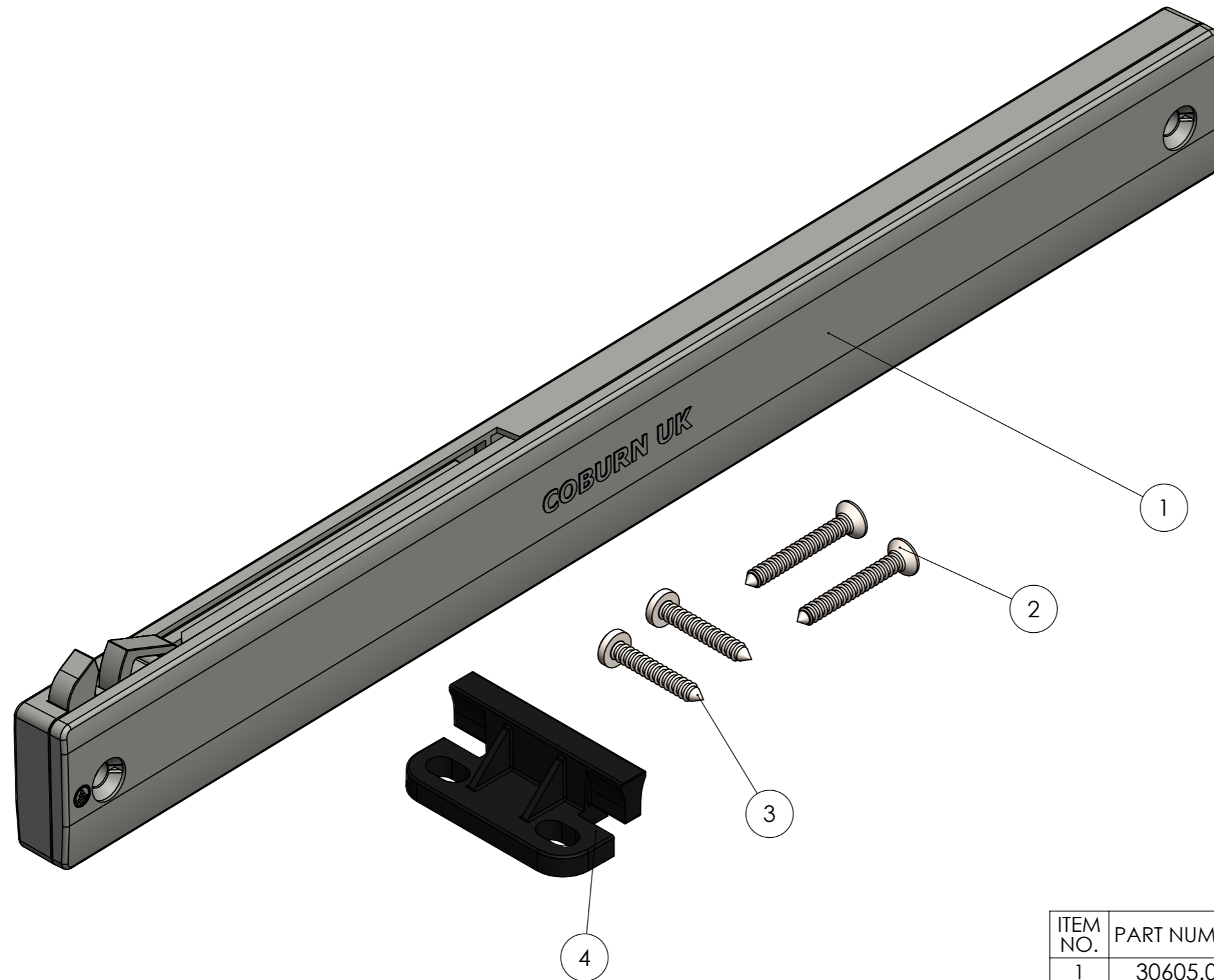
C

B

B

A

A




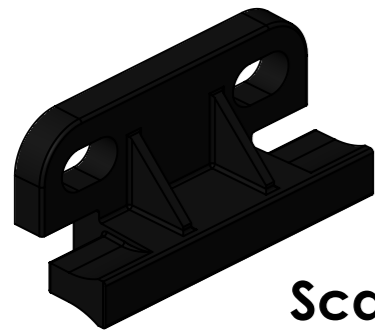
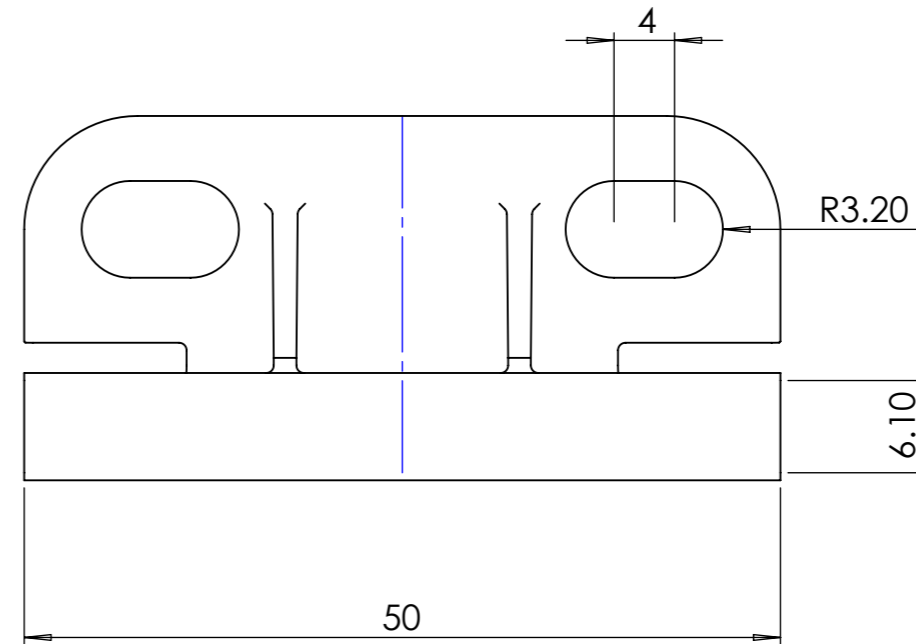
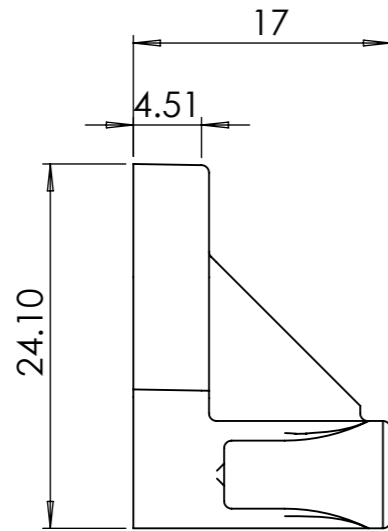
ITEM NO.	PART NUMBER	DESCRIPTION	QTY.
1	30605.02	SOFT CLOSER 60 KG - Rev.01	1
2		Countersunk wood screw 4.2x32-	2
3		Tapping screw ST4.2x25	2
4	30607.03	ACTIVATOR FOR SOFT CLOSER - NYLON - Rev.01	1

COBURN SLIDING SYSTEMS LIMITED Unit 1, Cardinal west, Godmanchester, PE29 2XN United Kingdom TEL: +44 (0)20 8545 6680 FAX: +44 (0)20 8545 6720 E-Mail: sales@coburn.co.uk Web: www.coburn.co.uk	UNLESS OTHERWISE SPECIFIED: DIMENSION(mm) TOLERANCE ZERO PL DECIMAL ±0.2 ONE PL DECIMAL ±0.1 TWO PL DECIMAL ±0.05 ANGULAR TOLERANCE ±0.5° FORGING TOLERANCE SEE BS EN 10243 ALL EDGES WILL BE ROUNDED WITH 0.2mm	MATERIAL	DRAWN by: Adrian BOGDAN DATE: 07/07/2017	DRAWING TYPE	
		FINISH		Final part drawing	
© COPYRIGHT COBURN SLIDING SYSTEMS LIMITED THE INFORMATION CONTAINED IN THIS DRAWING IS THE SOLE PROPERTY OF <COBURN SLIDING SYSTEMS LIMITED>. ANY REPRODUCTION IN PART OR AS A WHOLE WITHOUT THE WRITTEN PERMISSION OF <COBURN SLIDING SYSTEMS LIMITED> IS PROHIBITED.	COMMENTS: IF IN DOUBT ASK!	FIRST ANGLE PROJECTION	CHECKED by:	TITLE:	
		SCALE: 1:1	DATE:	60kg WARDROBE SOFT CLOSER	
		SIZE A3	DWG NO. 30626	REV. 01	SHEET 1 / 3

8 7 6 5 4 3 2 1

Scale 1:1

<p>COBURN SLIDING SYSTEMS LIMITED Unit 1, Cardinal way, Cardinal west, Godmanchester, PE29 2XN, UK</p> <p>TEL: +44 (0)20 8545 6680 FAX: +44 (0)20 8545 6720 E-Mail: sales@coburn.co.uk Web: www.coburn.co.uk</p> <p>© COPYRIGHT COBURN SLIDING SYSTEMS LIMITED</p> <p>THE INFORMATION CONTAINED IN THIS DRAWING IS THE SOLE PROPERTY OF <COBURN SLIDING SYSTEMS LIMITED>. ANY REPRODUCTION IN PART OR AS A WHOLE WITHOUT THE WRITTEN PERMISSION OF <COBURN SLIDING SYSTEMS LIMITED> IS PROHIBITED.</p>	MATERIAL	<p>UNLESS OTHERWISE SPECIFIED:</p> <p>DIMENSION(mm) TOLERANCE ZERO PL DECIMAL ±0.2 ONE PL DECIMAL ±0.1 TWO PL DECIMAL ±0.05</p> <p>ANGULAR TOLERANCE ±0.5°</p> <p>FORGING TOLERANCE SEE BS 4114</p> <p>ALL EDGES WILL BE ROUNDED WITH 0.2mm</p> <p>COMMENTS: IF IN DOUBT ASK!</p>	DRAWN Adrian Bogdan	DATE 14/09/2016	FILE DRG. No.	Final drawing product		
	FINISH	CHECKED	DATE -/-/	TITLE: SOFT CLOSER 60 KG				
			DIMENSIONS ARE IN mm DO NOT SCALE DRAWING	SIZE A4	DRG/PART. No. 30605.02	REV 01		
		SCALE: NTS WEIGHT:		SHEET: 2/1				



Scale 1:1

<p>COBURN SLIDING SYSTEMS LIMITED Unit 1, Cardinal way, Cardinal west, Godmanchester, PE29 2XN, UK</p> <p>TEL: +44 (0)20 8545 6680 FAX: +44 (0)20 8545 6720 E-Mail: sales@coburn.co.uk Web: www.coburn.co.uk</p> <p>© COPYRIGHT COBURN SLIDING SYSTEMS LIMITED</p> <p>THE INFORMATION CONTAINED IN THIS DRAWING IS THE SOLE PROPERTY OF <COBURN SLIDING SYSTEMS LIMITED>. ANY REPRODUCTION IN PART OR AS A WHOLE WITHOUT THE WRITTEN PERMISSION OF <COBURN SLIDING SYSTEMS LIMITED> IS PROHIBITED.</p>	MATERIAL	<p>UNLESS OTHERWISE SPECIFIED:</p> <p>DIMENSION(mm) TOLERANCE ZERO PL DECIMAL ±0.2 ONE PL DECIMAL ±0.1 TWO PL DECIMAL ±0.05</p> <p>ANGULAR TOLERANCE ±0.5°</p> <p>FORGING TOLERANCE SEE BS 4114</p> <p>ALL EDGES WILL BE ROUNDED WITH 0.2mm</p> <p>COMMENTS: IF IN DOUBT ASK!</p>	DRAWN Adrian Bogdan	DATE 14/09/2016	FILE DRG. No. Final drawing product
	FINISH	<p>⊕</p> <p>DIMENSIONS ARE IN mm DO NOT SCALE DRAWING</p>	CHECKED	DATE -/-	TITLE: ACTIVATOR FOR SOFT CLOSER
			SIZE A4	DRG/PART. No. 30607.03	REV 01
			SCALE: NTS	WEIGHT:	SHEET: 3/1