

PART No.	LENGTH(mm)	CAT. No.
3/32518/438	1800	3-25-18
3/32521/438	2100	3-25-21
3/32524/438	2400	3-25-24
3/32530/438	3000	3-25-30
3/32540/438	4000	3-25-40
3/32550/438	5000	3-25-50
3/32560/438	6000	3-25-60

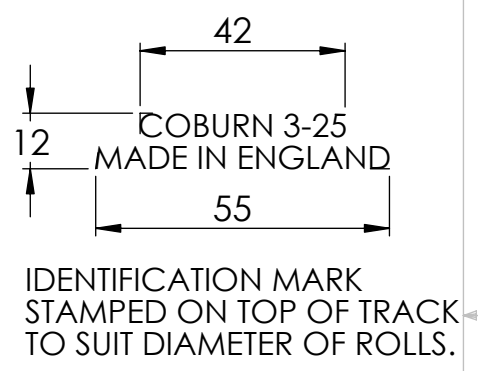
NOTE

LENGTH TO BE SUPPLIED STRAIGHT WITH TWIST TOLERANCE OF $\pm 2^\circ$.

TRAILING STRUCK END AND LEADING END 48.0mm ± 0.5 .

MATERIAL; PRIME BRIGHT SPANGLE GALVANISED MILD STEEL SLIT COIL 2.5mm ± 0.2 THICK x 197mm ± 0.127 WIDE, STRIP BS EN10142 Fe PO2 G Z 275 N A C.

TO BE FREE FROM WHITE RUST & OTHER DEFECTS.



COBURN
SLIDING SYSTEMS

HILLALDAM COBURN LTD
UNIT 16, MERTON INDUSTRIAL PARK
LEE ROAD, LONDON
SW19 3HX,
UK

COPYRIGHT HILLALDAM COBURN LTD

THE INFORMATION CONTAINED IN THIS DRAWING IS THE SOLE PROPERTY OF <HILLALDAM COBURN LTD>. ANY REPRODUCTION IN PART OR AS A WHOLE WITHOUT THE WRITTEN PERMISSION OF <HILLALDAM COBURN LTD> IS PROHIBITED.

MATERIAL	UNLESS OTHERWISE SPECIFIED: DIMENSIONS ARE IN MM	NAME	DATE	CAD FILE:				
	SEE NOTE	TOLERANCES: FRACTIONAL \pm ANGULAR: MACH ± 0.5 BEND \pm ZERO PLACE DECIMAL ± 0.2 ONE PLACE DECIMAL ± 0.1 TWO PLACE DECIMAL ± 0.05	DRAWN		B.S.AJIYENZA	25/09/09	TITLE:	
			FINISH		CHK			STANDARD LENGTH TRACK 3-25
SELF COLOUR	INTERPRET GEOMETRIC TOLERANCING PER:	Q.A.				SIZE	DWG. NO.	REV
APPLICATION	DO NOT SCALE DRAWING	COMMENTS:			REMOVE ALL SHARP EDGES	A3	32518 TO 32560	17
						SCALE: NTS	WEIGHT:	SHEET 1 OF 1