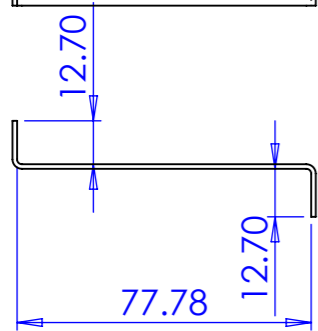
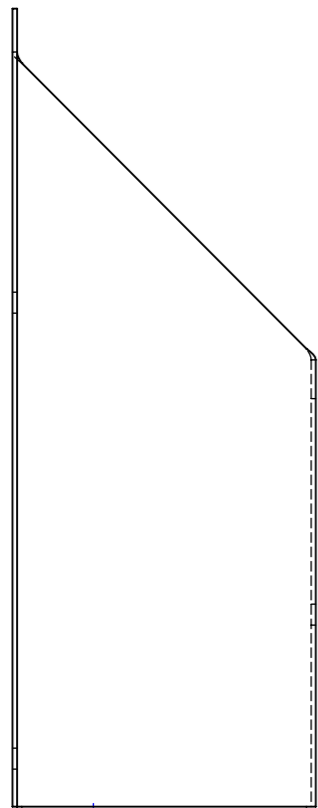
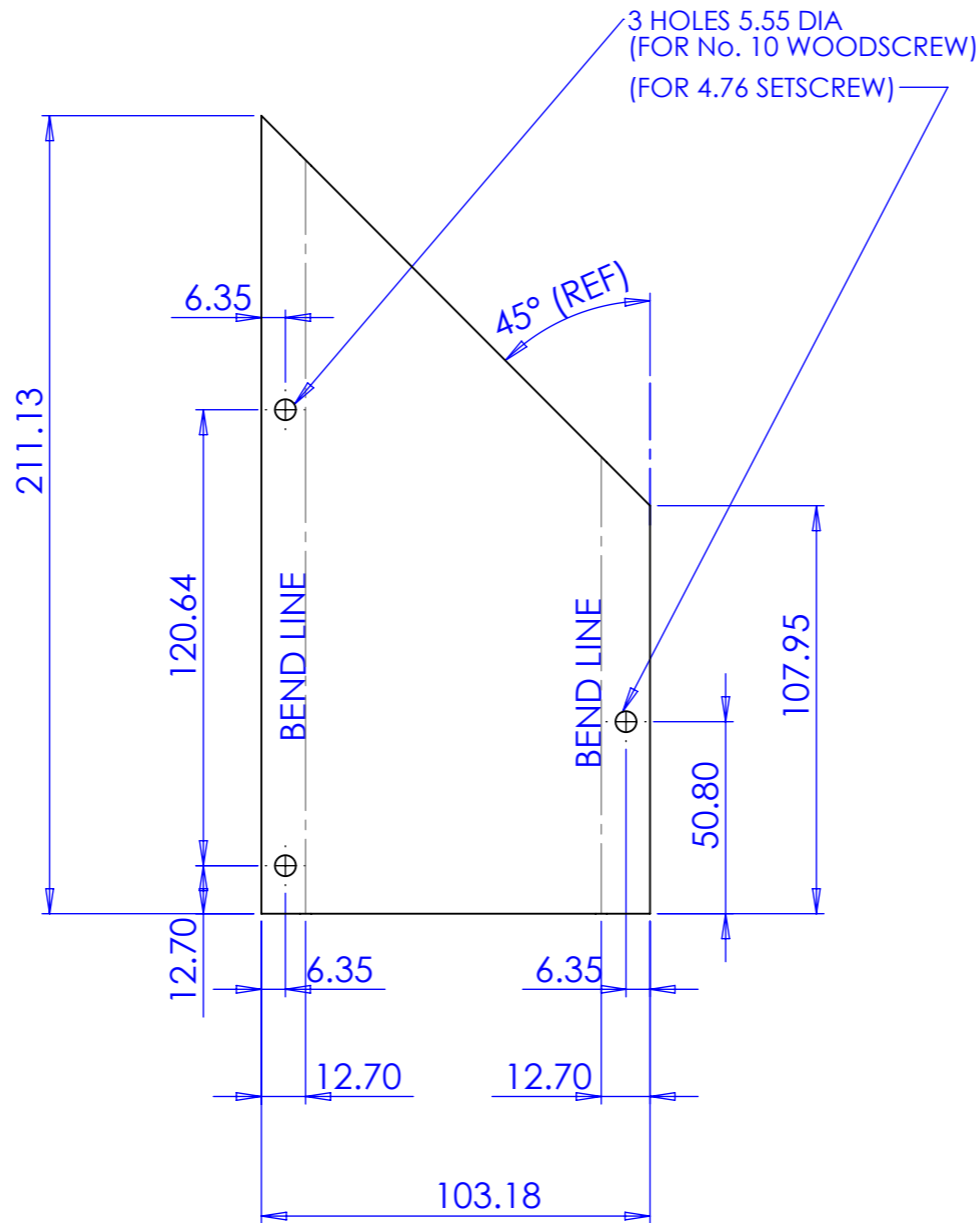


D
C
B
A

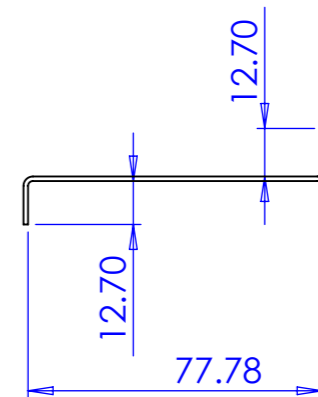
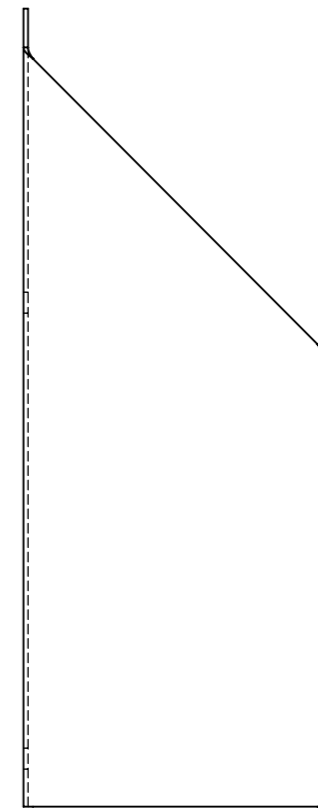
8 7 6 5 4 3 2 1



END CAP L.H
PART No. C/37302-01/427



DEVELOPED BLANK



END CAP R.H
PART No. C/37031-01/427

COBURN
SLIDING SYSTEMS

HILLALDAM COBURN LTD
UNIT 16, MERTON INDUSTRIAL PARK
LEE ROAD, LONDON
SW19 3HX,
UK

COPYRIGHT HILLALDAM COBURN LTD

THE INFORMATION CONTAINED IN THIS DRAWING IS THE SOLE PROPERTY OF <HILLALDAM COBURN LTD>. ANY REPRODUCTION IN PART OR AS A WHOLE WITHOUT THE WRITTEN PERMISSION OF <HILLALDAM COBURN LTD> IS PROHIBITED.

MATERIAL	18G GALVANISED STEEL SHEET
FINISH	SELF COLOUR
APPLICATION	DO NOT SCALE DRAWING
UNLESS OTHERWISE SPECIFIED: DIMENSIONS ARE IN MM	
TOLERANCES: FRACTIONAL ± ANGULAR: MACH ±0.5 BEND ± ZERO PLACE DECIMAL ± 0.2 ONE PLACE DECIMAL ±0.1 TWO PLACE DECIMAL ±0.05	
INTERPRET GEOMETRIC TOLERANCING PER:	

DRAWN	G.A.H	DATE	07/04/99
CHK			
Q.A.	B.AJIYENZA	DATE	16/01/09
COMMENTS: REMOVE ALL SHARP EDGES			

CAD FILE:			
TITLE: END CAP FOR WEATHERHOOD			
SIZE	DWG. NO.	REV	
A3	C/37301.01/427	01	
SCALE: 1:2	WEIGHT:	SHEET 1 OF 1	