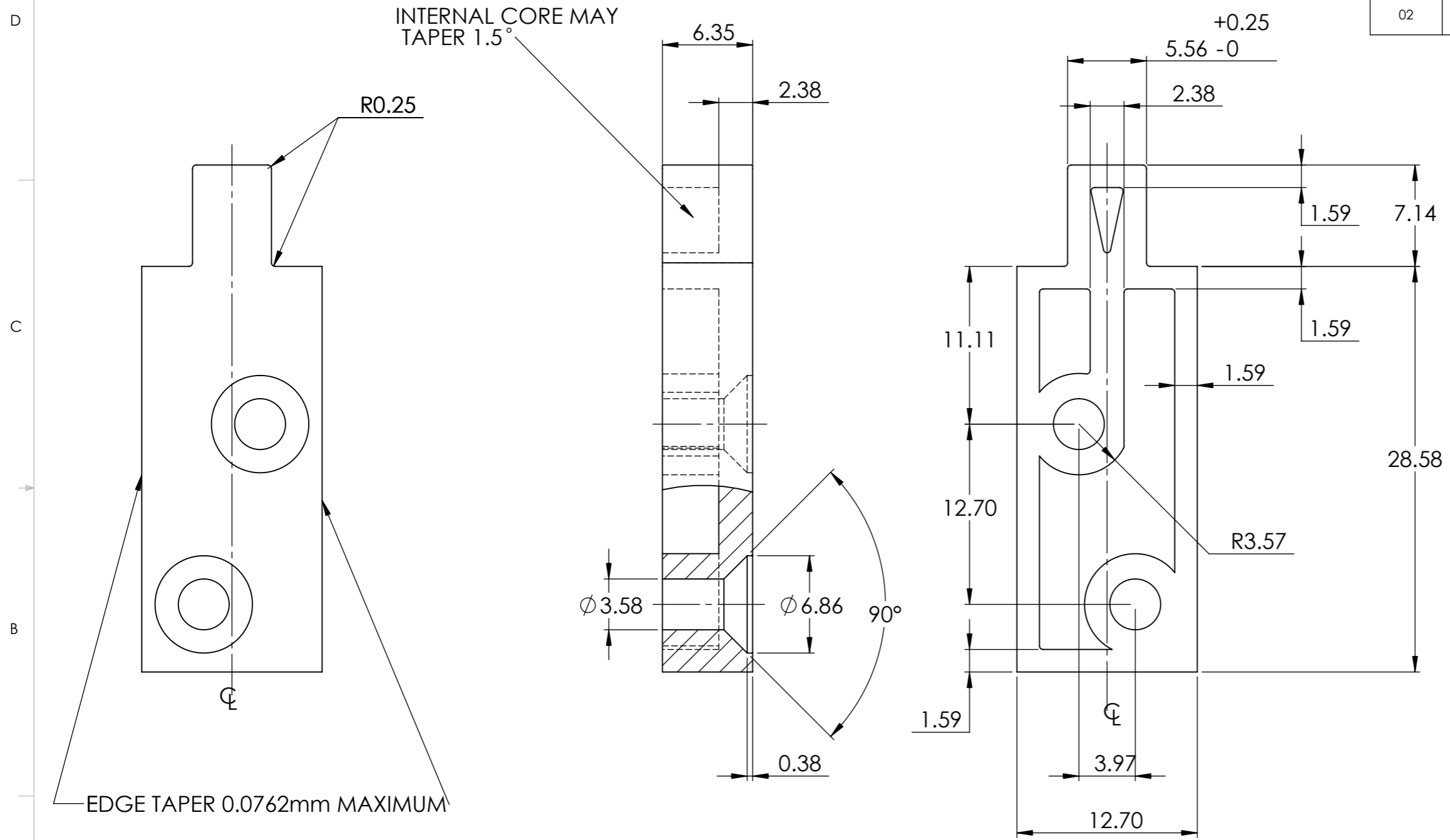


REVISIONS			
REV.	DESCRIPTION	DATE	APPROVED
01	M2308	08/12/98	G. A. H
02	CHANGE DIMENSION TO METRIC	24/02/10	B. S. A



EDGE TAPER 0.0762mm MAXIMUM

INTERNAL CORE MAY TAPER 1.5°

R0.25

NOTE:
 • MATERIAL; VIRGIN NYLON A.100M INJECTION MOULDING.

COBURN
 SLIDING SYSTEMS
 HILLALDAM COBURN LTD
 UNIT 16, MERTON INDUSTRIAL PARK
 LEE ROAD, LONDON
 SW19 3HX,
 UK
 COPYRIGHT HILLALDAM COBURN LTD
 THE INFORMATION CONTAINED IN THIS DRAWING IS THE SOLE PROPERTY OF <HILLALDAM COBURN LTD>. ANY REPRODUCTION IN PART OR AS A WHOLE WITHOUT THE WRITTEN PERMISSION OF <HILLALDAM COBURN LTD> IS PROHIBITED.

MATERIAL	UNLESS OTHERWISE SPECIFIED: DIMENSIONS ARE IN MM
SEE NOTE	TOLERANCES: FRACTIONAL \pm ANGULAR: MACH ± 0.5 BEND \pm ZERO PLACE DECIMAL ± 0.2 ONE PLACE DECIMAL ± 0.1 TWO PLACE DECIMAL ± 0.05
FINISH	INTERPRET GEOMETRIC TOLERANCING PER:
APPLICATION	DO NOT SCALE DRAWING

	NAME	DATE
DRAWN	B. S. A	24/02/10
CHK		
Q.A.		
COMMENTS: REMOVE ALL SHARP EDGES		

CAD FILE: B/ 40374.01/ 446		
TITLE: (40-374) GUIDE JASON SERIES		
SIZE A3	DWG. NO. 40374.01	REV 02
SCALE: NTS	WEIGHT:	SHEET 1 OF 1